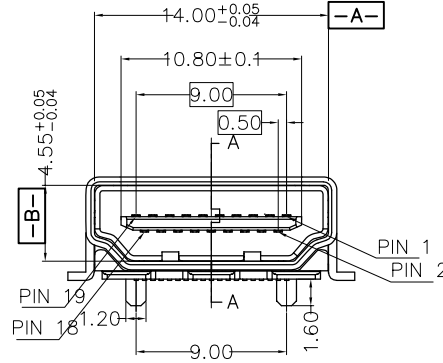
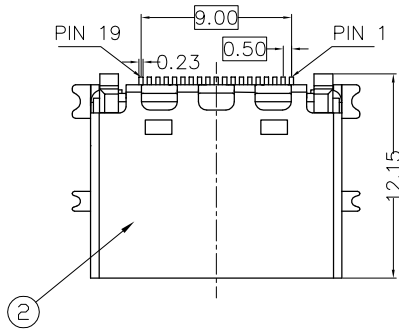


RoHS Compliant

REVISIONS			
REV.	DESCRIPTION	DATE	DESIGN



**NOTE:**

**1.Material:**

Terminal: Brass C2680-1/2H (HV120~140), T=0.2±0.02mm.

Shell : SPCC ,T=0.5±0.02mm.

Housing : LCP (E1301)+30% G. F. (UL94-0), Black.

**2.Plating:**

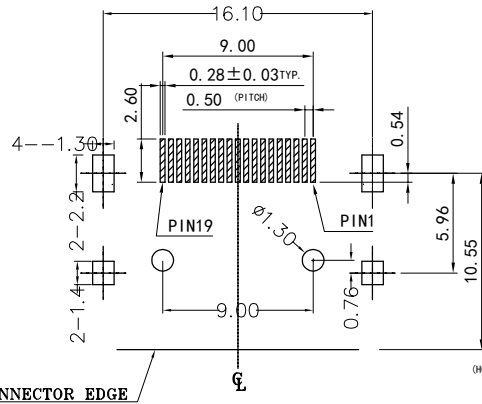
Terminal: Au plated on contact area (see order information),  
100u" Sn plated on solder tail area,  
both over 50u" min. Ni underplated overall.

Shell : Gold Flash overall.

**3.Mechanical Characteristics:**

Insertion force : 4.5Kgf max.

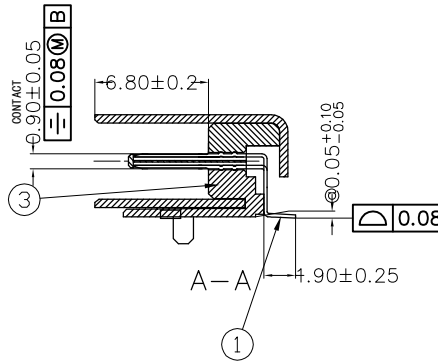
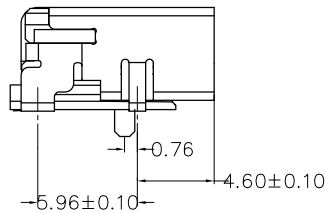
Withdrawing force : 1Kgf ~ 4Kgf.



CONNECTOR EDGE

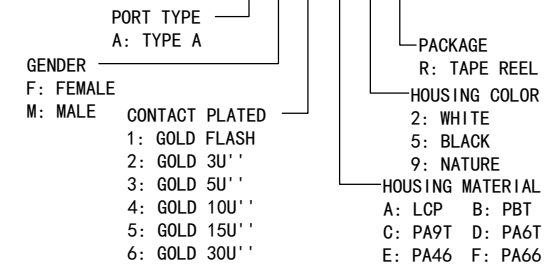
(SOLDER RING)

RECOMMENDED PCB LAYOUT (TOP VIEW)  
TOLERANCE: ±0.05mm



**PART NO. INFORMATION**

**HD01-A F X X 5 R - 009**



Item	Parts Names	Unit Dosage
①	Terminal	19 Pcs
②	Shell	1 Pcs
③	Housing	1 Pcs

**Bestcreate Technology Limited**

**TOLERANCES UNLESS OTHERWISE SPECIFIED:**

X.	± 0.15	X.*	± 5'
.X	± 0.10	.X*	± 2'
.XX	± 0.08	.XX*	± 1'
.XXX	± 0.03	.XXX*	± 0.5'

Website: [www.bsc-elec.com](http://www.bsc-elec.com)

Email: [bestcreate@bsc-elec.com](mailto:bestcreate@bsc-elec.com)

DESIGN: I.L.

2017/7/5

CHECKED: C.W

2017/7/5

APPROVED: C.W

2017/7/5

DATE:

DATE:

DATE:

TITLE:

HDMI DF 端子前插后贴壳四脚插板

MATERIAL:

PART NO:

HD01-AFXX5R-009

SIZE: A4

FINISH:

DWG NO:

HD01-AFXX5R-009

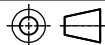
SHEET: 1 OF 1

REV: A

UNIT mm

SCALE 1=1

QUALITY SYMBOLS



1

2

3

4

5

6

7

8