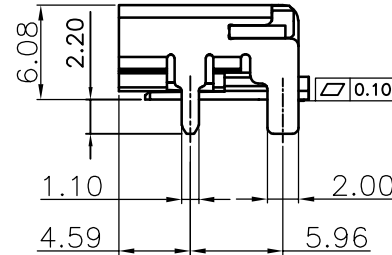
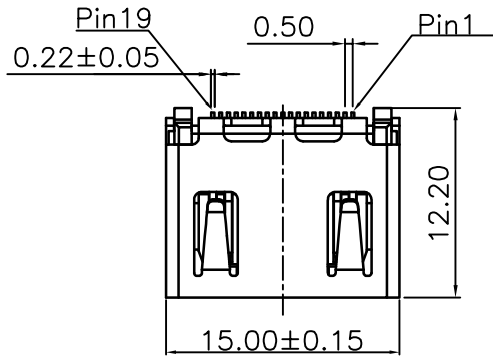


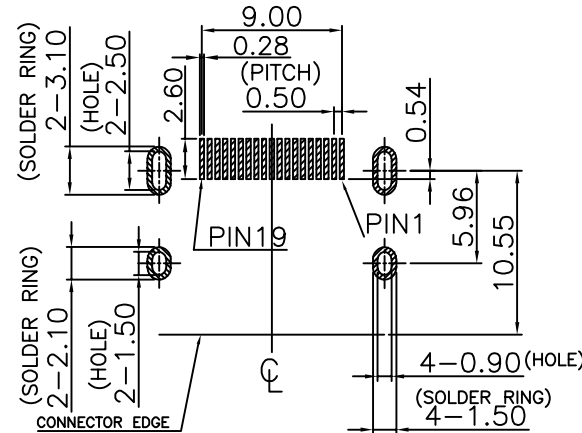
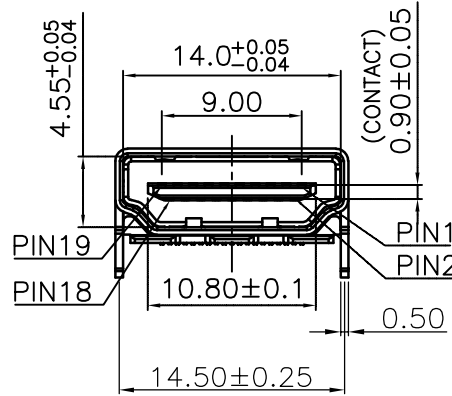
RoHS Compliant

REVISIONS			
REV.	DESCRIPTION	DATE	DESIGN



SPECIFICATIONS:

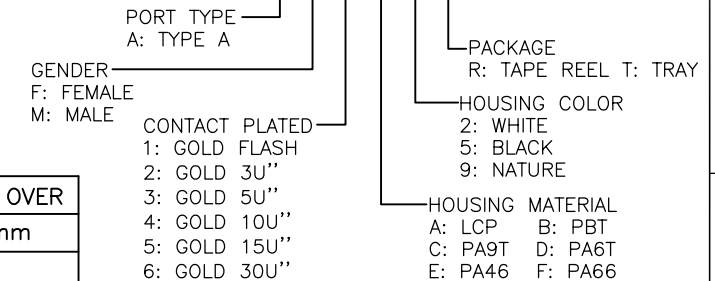
- ELECTRICAL CHARACTERISTICS
 - CURRENT RATING: 0.5 AMP
 - VOLTAGE RATING: 40 V
 - CONTACT RESISTANCE: 30MILLIOHMS MAX
 - INSULATION RESISTANCE: 100M MIN. @ 500V DC
 - DIELECTRIC WITHSTANDING VOLTAGE: 500V AC FOR 1 MINUTE
- MECHANICAL CHARACTERISTICS:
 - INSERTION FORCE : 4.5KGF MAX.
 - WITHDRAWING FORCE : 1KGF ~ 4KGF.
- LIFE TEST: 10000 CYCLES
- OPERATING TEMPERATURE: -25°C TO +85°C
- THE DIM. MARKED "Ⓜ" IS FAI DIMENSION AND SERIAL NUMBER
- THE DIM. MARKED "■" IS IMPORTANT DIMENSION.
- THE DIM. MARKED "Ⓢ" IS THE VERSION NUMBER.



RECOMMENDED PCB LAYOUT (TOP VIEW)
TOLERANCE: ±0.05mm

PART NO. INFORMATION

HD01-A F X X 5 X - 006



C	SHELL	1	C2680R-H Ni 50u" T=0.5mm PLATING ALL OVER
B	TERMINAL	19	Brass C2680-1/2H(HV120~140),T=0.2mm
A	HOUSING	1	LCP E130i UL94V-0 BLACK
NO	PART NAME	QTY	MATERIAL PLATING & COLOR

Bestcreate Technology Limited

TOLERANCES UNLESS OTHERWISE SPECIFIED:			
X.	±	0.50	X.' ± 3'
.X	±	0.35	.X' ± 2'
.XX	±	0.25	.XX' ± 1.5'
.XXX	±	0.15	.XXX' ± 1.0'

DESIGN: I.L
DATE: 2017/7/5
CHECKED: C.W
DATE: 2017/7/5
APPROVED: C.W
DATE: 2017/7/5

TITLE: HDMI AF SMT CONNECTOR		
MATERILA:	PART NO: HD01-AFXX5X-006	SIZE: A4
FINSH:	DWG NO: HD01-AFXX5X-006	SHEET: 1 OF 3

REV:	UNIT	SCALE	QUALITY SYMBOLS
A	mm	1=1	⊙ ⊚

Website: www.bsc-elec.com
Email: bestcreate@bsc-elec.com