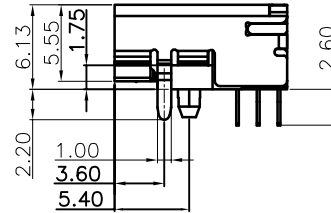
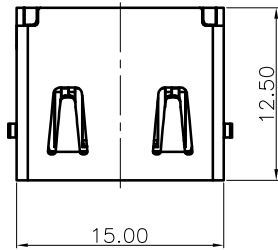


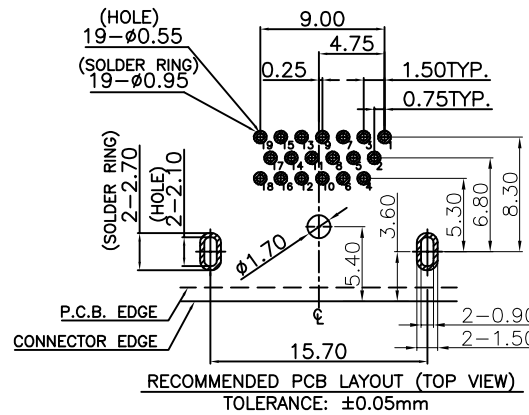
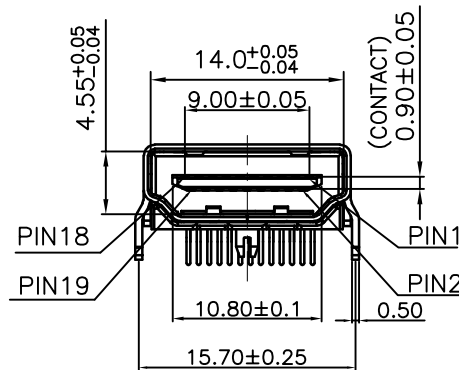
RoHS Compliant

REVISIONS			
REV.	DESCRIPTION	DATE	DESIGN



SPECIFICATIONS:

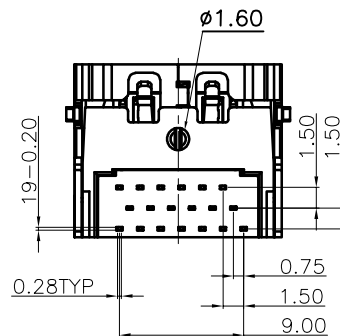
- ELECTRICAL CHARACTERISTICS
 - CURRENT RATING: 0.5 AMP
 - VOLTAGE RATING: 40 V
 - CONTACT RESISTANCE: 30MILLIOHMS MAX
 - INSULATION RESISTANCE: 100M MIN. @ 500V DC
 - DIELECTRIC WITHSTANDING VOLTAGE: 500V AC FOR 1 MINUTE
- MECHANICAL CHARACTERISTICS:
 - INSERTION FORCE : 4.5KGF MAX.
 - WITHDRAWING FORCE : 1KGF ~ 4KGF.
- LIFE TEST: 10000 CYCLES
- OPERATING TEMPERATURE: -25°C TO +85°C



PART NO. INFORMATION

HD01-A F X X 5 X - 011

- PORT TYPE: A: TYPE A
- GENDER: F: FEMALE, M: MALE
- CONTACT PLATED: 1: GOLD FLASH, 2: GOLD 3U'', 3: GOLD 5U'', 4: GOLD 10U'', 5: GOLD 15U'', 6: GOLD 30U''
- PACKAGE: R: TAPE REEL, T: TRAY
- HOUSING COLOR: 2: WHITE, 5: BLACK, 9: NATURE
- HOUSING MATERIAL: A: LCP, B: PBT, C: PA9T, D: PA6T, E: PA46, F: PA66



D	SHELL	1	C2680R-H, Ni 50u'' T=0.5±0.01mm NI PLATING ALL OVER
C	TERMINAL	19	C2680R-H, T=0.2±0.01mm.
B	COVER	1	LCP E130i UL94V-0 BLACK
A	HOUSING	1	LCP E130i UL94V-0 BLACK
NO	PART NAME	QTY	MATERIAL PLATING & COLOR

Bestcreate Technology Limited

TOLERANCES UNLESS OTHERWISE SPECIFIED:

.X	± 0.35	X.'	± 2.0'
.XX	± 0.25	.X'	± 1.5'
.XXX	± 0.15	.XX'	± 1'

Tel/Whatsapp: 0086-13712299763
Skype: belle.wu3340

DESIGN: I. L. DATE: 2017. 3. 1

CHECKED: C. W. DATE: 2017. 3. 1

APPROVED: C. W. DATE: 2017. 3. 1

TITLE: HDMI FEMALE 19P DIP THREE ROW

MATERILA:	PART NO: HD01-AFXX5X-011	SIZE: A4
FINSH:	DWG NO: HD01-AFXX5X-011	

REV: A UNIT mm SCALE 1=1 QUALITY SYMBOLS