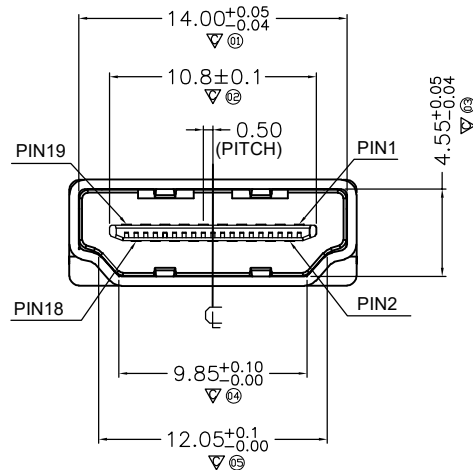


RoHS Compliant

| REVISIONS | | | |
|-----------|-------------|------|--------|
| REV. | DESCRIPTION | DATE | DESIGN |
| | | | |



NOTES:

1.MATERIAL:

- 1-1. INSERTMOLDING: LCP, COLOR:BACK,UL94-V0.
- 1-2. CONTACT: C2680(T=0.20mm) ;
GOLD FLASH ON CONTACT AREA,
100u" Min. Tin PLATED ON SOLDER TAILS.
50u" Min. NICKEL PLATED OVERALL.
- 1-3. SHELL: SPCC,(T=0.50mm) ;GOLD FLASH PLATED OVERALL.
100u" Min. NICKEL BOTTOM PLATED OVERALL.
120u" Min. COPPER BOTTOM PLATED OVERALL.

2.ELECTRICAL CHARACTERISTICS:

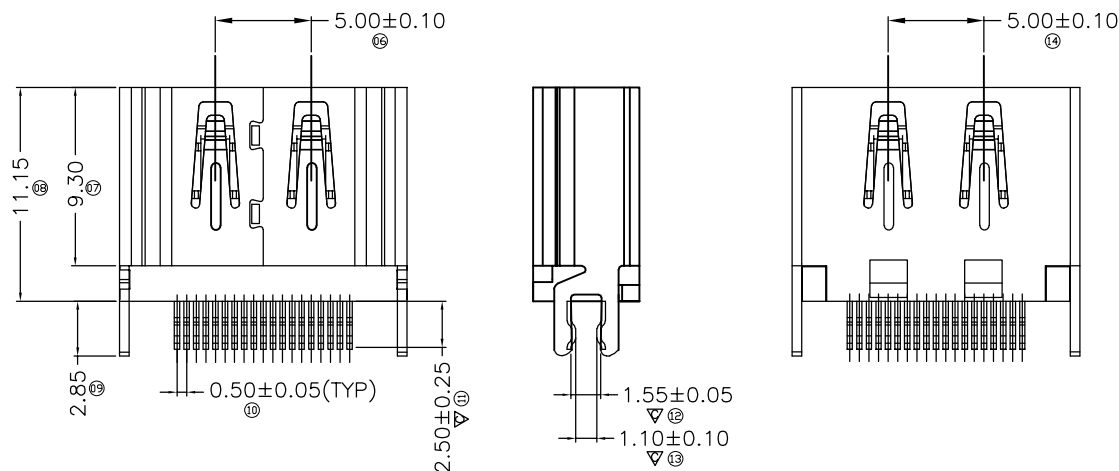
- 2-1. CURRENT RATING: 0.5A
- 2-2. CONTACT RESISTANCE: 30mΩ MAX.
- 2-3. INSULATION RESISTANCE: 100MΩ MIN.
- 2-4. DIELECTRIC WITHSTAND VOLTAGE: AC 500V/MINUTE.
- 2-5. OPERATING TEMPERATURE RANGE: -25°C~+85°C

3.MECHANICAL CHARACTERISTICS:

- 3-1. INSERTION FORCE: 4.5Kgf MAX.
- 3-2. EXTRACTION FORCE: 1.0Kgf MIN.,4.0Kgf MAX.
- 4.DURABILITY: 10000 CYCLES.
- 5.SALT FOG TEST:24H.

6."⊗" SHOWS FAI MEASUREMENT POINT.

7. MARKED"▽"AS KEY CONTROL SIZE.



PART NO. INFORMATION

HD01-A F X X 5 T - 001-V3

- PORT TYPE
A: TYPE A
- GENDER
F: FEMALE
M: MALE
- CONTACT PLATED
1: GOLD FLASH
2: GOLD 3U"
3: GOLD 5U"
4: GOLD 10U"
5: GOLD 15U"
6: GOLD 30U"
- PACKAGE
T: TRAY
- HOUSING COLOR
2: WHITE
5: BLACK
9: NATURE
- HOUSING MATERIAL
A: LCP B: PBT
C: PA9T D: PA6T
E: PA46 F: PA66

Bestcreate Technology Limited

TOLERANCES UNLESS OTHERWISE SPECIFIED:

| | | | | | |
|-----|---|------|------|---|----|
| X. | ± | 0.50 | X'. | ± | 3' |
| .X | ± | 0.25 | .X' | ± | 2' |
| .XX | ± | 0.15 | .XX' | ± | 1' |

Tel/Whatsapp:0086-13712299763
Skype: belle.wu3340

DESIGN: I. L. DATE: 2017. 3. 1

CHECKED: C. W. DATE: 2017. 3. 1

APPROVED: C. W. DATE: 2017. 3. 1

TITLE: **HDMI A TYPE 母头 1.6夹板 成型式**

MATERILA: FINSH: PART NO: HD01-AFXX5T-001-V3 SIZE: A4

DWG NO: HD01-AFXX5T-001-V3

REV: A UNIT mm SCALE 1=1 QUALITY SYMBOLS