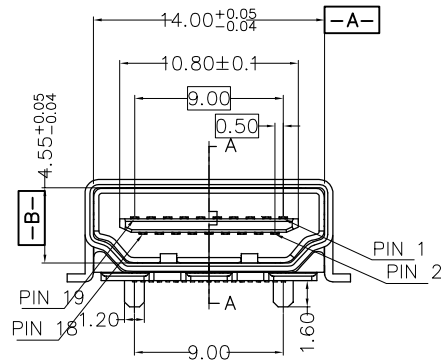
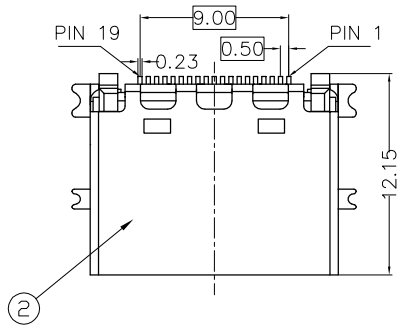


RoHS Compliant

REVISIONS			
REV.	DESCRIPTION	DATE	DESIGN



**NOTE:**

**1.Material:**

Terminal: Brass C2680-1/2H(HV120~140), T=0.2±0.02mm.

Shell : SPCC ,T=0.5±0.02mm.

Housing : LCP (E130I)+30% G.F. (UL94-0), Black.

**2.Plating:**

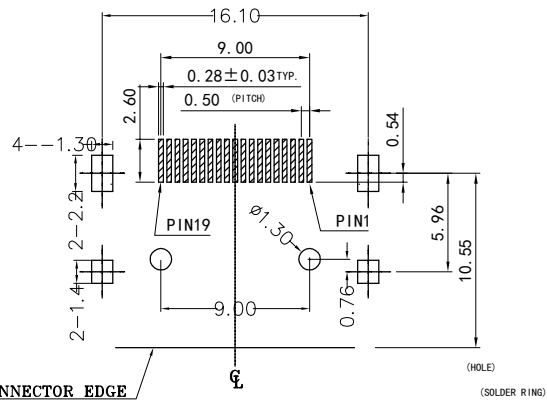
Terminal: Au plated on contact area (see order information),  
100u" Sn plated on solder tail area,  
both over 50u" min. Ni underplated overall.

Shell : Gold Flash overall.

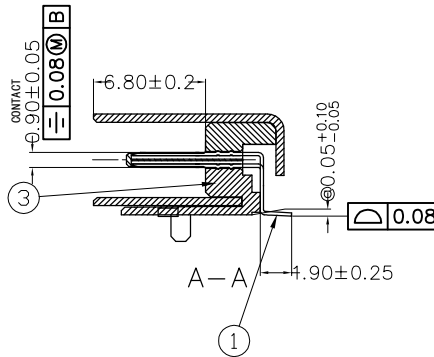
**3.Mechanical Characteristics:**

Insertion force : 4.5Kgf max.

Withdrawing force : 1Kgf ~ 4Kgf.



RECOMMENDED PCB LAYOUT (TOP VIEW)  
TOLERANCE: ±0.05mm



**PART NO. INFORMATION**

**HD01-A F X X 5 R - 009**

PORT TYPE	A: TYPE A	PACKAGE	R: TAPE REEL
GENDER	F: FEMALE	HOUSING COLOR	2: WHITE 5: BLACK 9: NATURE
M: MALE	CONTACT PLATED	HOUSING MATERIAL	A: LCP B: PBT C: PA9T D: PA6T E: PA46 F: PA66
	1: GOLD FLASH 2: GOLD 3U'' 3: GOLD 5U'' 4: GOLD 10U'' 5: GOLD 15U'' 6: GOLD 30U''		

Item	Parts Names	Unit Dosage
①	Terminal	19 Pcs
②	Shell	1 Pcs
③	Housing	1 Pcs

**Bestcreate Technology Limited**

TOLERANCES UNLESS OTHERWISE SPECIFIED:			
X.	± 0.50	X.*	± 5'
.X	± 0.35	.X*	± 2'
.XX	± 0.25	.XX*	± 1'
.XXX	± 0.15	.XXX*	± 0.5'

Website: [www.bsc-elec.com](http://www.bsc-elec.com)  
Email: [bestcreate@bsc-elec.com](mailto:bestcreate@bsc-elec.com)

DESIGN:	I.L	DATE:	2017/7/5
CHECKED:	C.W	DATE:	2017/7/5
APPROVED:	C.W	DATE:	2017/7/5

TITLE: HDMI A FEMALE SMT CONNECTOR			
MATERIAL:	PART NO:	SIZE:	A4
FINISH:	DWG NO:	SHEET:	1 OF 1
	HD01-AFXX5R-009	HD01-AFXX5R-009	

REV:	A	UNIT:	mm	SCALE:	1=1	QUALITY SYMBOLS:	
------	---	-------	----	--------	-----	------------------	--