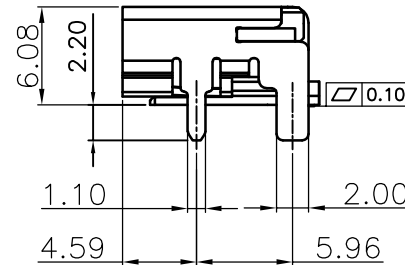
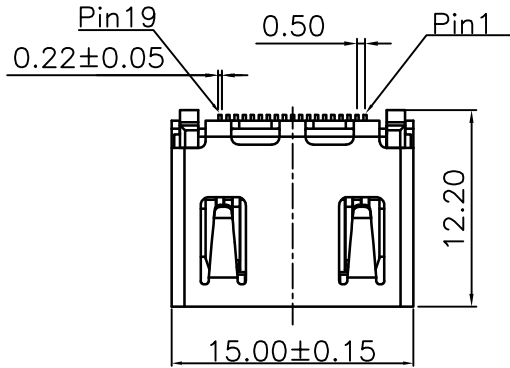


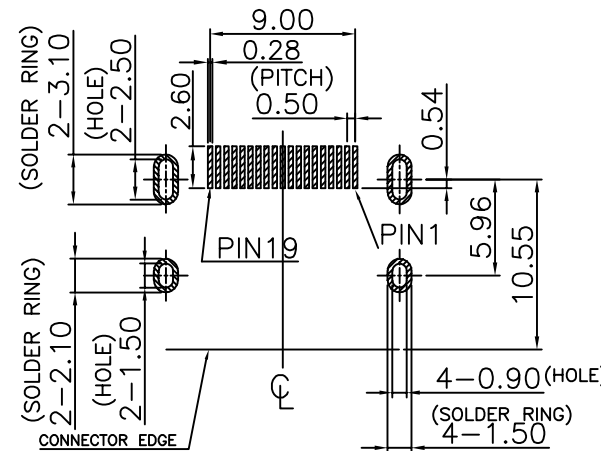
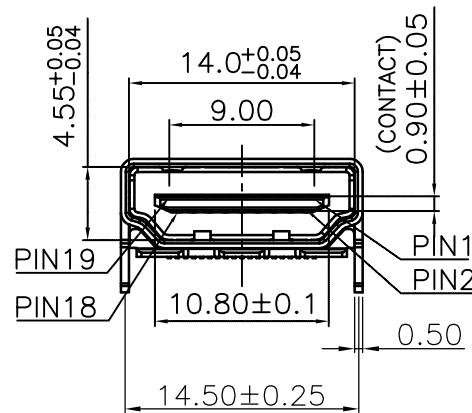
RoHS Compliant

REVISIONS			
REV.	DESCRIPTION	DATE	DESIGN



SPECIFICATIONS:

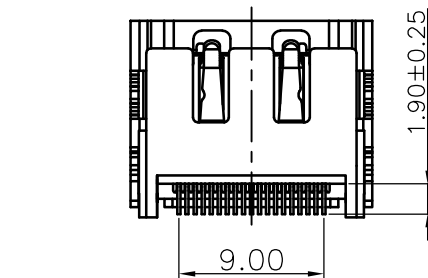
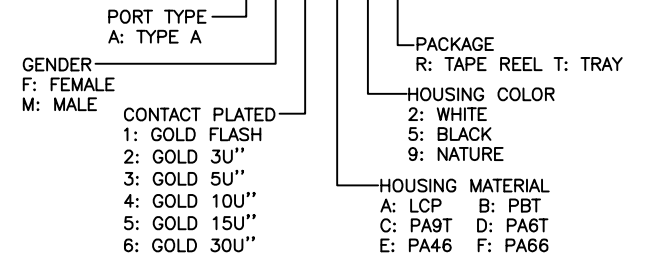
- ELECTRICAL CHARACTERISTICS
 - CURRENT RATING: 0.5 AMP
 - VOLTAGE RATING: 40 V
 - CONTACT RESISTANCE: 30MILLIOHMS MAX
 - INSULATION RESISTANCE: 100M MIN. @ 500V DC
 - DIELECTRIC WITHSTANDING VOLTAGE: 500V AC FOR 1 MINUTE
- MECHANICAL CHARACTERISTICS:
 - INSERTION FORCE : 4.5KGF MAX.
 - WITHDRAWING FORCE : 1KGF ~ 4KGF.
- LIFE TEST: 10000 CYCLES
- OPERATING TEMPERATURE: -25°C TO +85°C
- THE DIM. MARKED "Ⓧ" IS FAI DIMENSION AND SERIAL NUMBER
- THE DIM. MARKED "■" IS IMPORTANT DIMENSION.
- THE DIM. MARKED "Ⓜ" IS THE VERSION NUMBER.



RECOMMENDED PCB LAYOUT (TOP VIEW)
TOLERANCE: ±0.05mm

PART NO. INFORMATION

HD01-A F X X 5 X - 008



C	SHELL	1	C2680R-H Ni 50u" T=0.5mm PLATING ALL OVER
B	TERMINAL	19	Brass C2680-1/2H(HV120~140),T=0.2mm
A	HOUSING	1	LCP E130i UL94V-0 BLACK
NO	PART NAME	QTY	MATERIAL PLATING & COLOR

Bestcreate Technology Limited

REV: A	UNIT mm	SCALE 1=1	QUALITY SYMBOLS
--------	---------	-----------	-----------------

TOLERANCES UNLESS OTHERWISE SPECIFIED:			
X.	± 0.50	X'	± 3'
.X	± 0.35	.X'	± 2'
.XX	± 0.25	.XX'	± 1.5'
.XXX	± 0.15	.XXX'	± 1.0'

Website: www.bsc-elec.com
Email: bestcreate@bsc-elec.com

DESIGN: I.L	DATE: 2017/5/3
CHECKED: C.W	DATE: 2017/5/3
APPROVED: C.W	DATE: 2017/5/3

TITLE: HDMI A FEMALE SMT CONNECTOR		
MATERILA:	PART NO: HD01-AFXX5X-008	SIZE: A4
FINSH:	DWG NO: HD01-AFXX5X-008	SIZE: 1 OF 1