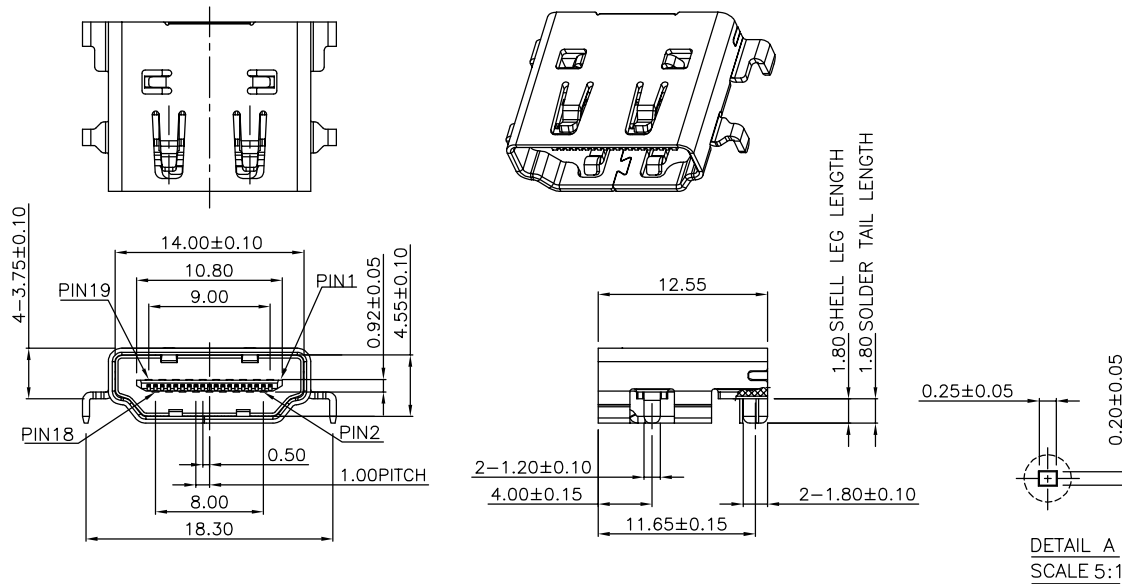


RoHS Compliant

REVISIONS			
REV.	DESCRIPTION	DATE	DESIGN

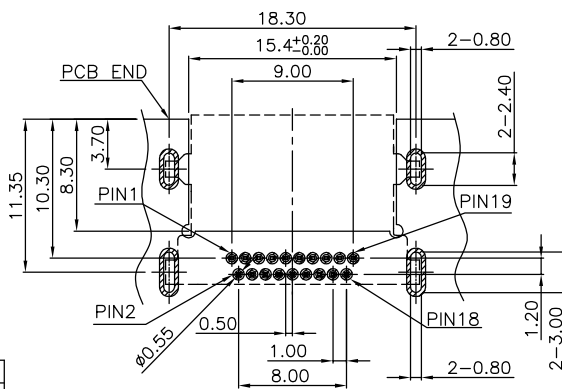
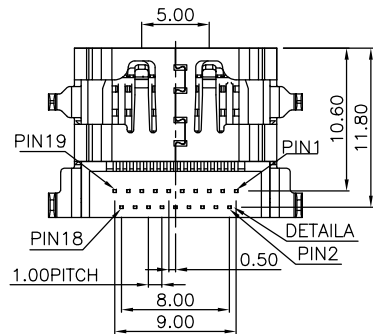


MATERIALS

1. HOUSING : THERMOPLASTIC (UL 94V-0).
2. TERMINAL : COPPER ALLOY, GOLD PLATED ON CONTACT AREA, GOLD PLATED ON SOLDER TAIL.
3. SHELL : COPPER ALLOY, NICKEL PLATED OVERALL

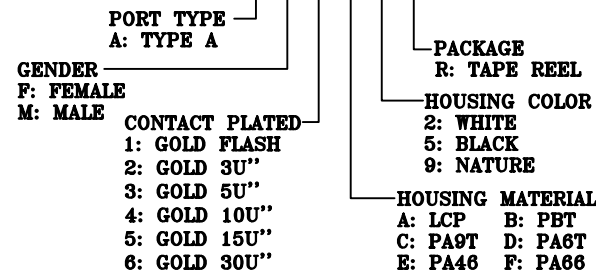
SPECIFICATION

1. CURRENT RATING : 0.5 A. MAX.
2. DIELECTRIC WITHSTANDING VOLTAGE : 500V AC R.M.S. FOR ONE MINUTE.
3. INSULATION RESISTANCE : 100MΩ MIN(UNMATED) AT 500V DC.
4. CONTACT RESISTANCE : 30mΩ MAX.
5. OPERATING TEMPERATURE : -25°C TO +85°C.



PART NO. INFORMATION

HD01-A F X X 5 R - 016



PIN	SIGNAL ASSIGNMENT	PIN	SIGNAL ASSIGNMENT	PIN	SIGNAL ASSIGNMENT
1	TMDS DATA2+	8	TMDS DATA0 SHIELD	15	SCL
2	TMDS DATA2 SHIELD	9	TMDS DATA0-	16	SDA
3	TMDS DATA2-	10	TMDS CLOCK+	17	DDC/CEC GROUND
4	TMDS DATA1+	11	TMDS CLOCK SHIELD	18	+5V POWER
5	TMDS DATA1 SHIELD	12	TMDS CLOCK-	19	HOT PLUG DETECT
6	TMDS DATA1-	13	CEC		
7	TMDS DATA0+	14	RESERVED (N.C. ON DEVICE)		

Bestcreate Technology Limited

TOLERANCES UNLESS OTHERWISE SPECIFIED:

X.	± 0.50	X.*	± 3*
.X	± 0.25	.X*	± 2*
.XX	± 0.15	.XX*	± 1*

DESIGN: I. L. DATE: 2017.3.1

CHECKED: C. W. DATE: 2017.3.1

APPROVED: C. W. DATE: 2017.3.1

TITLE: MID-MOUNT HDMI AF CONNECTOR

MATERIAL:	PART NO: HD01-AFXX5R-016	SIZE: A4
FINISH:	DWG NO: HD01-AFXX5R-016	

REV: A	UNIT: mm	SCALE: 1=1	QUALITY SYMBOLS	Tel/Whatsapp:0086-13712299763
				Skype: belle.wu3340