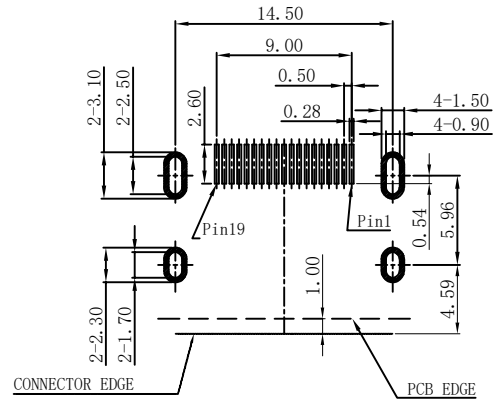
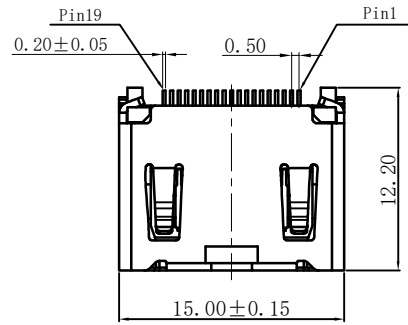


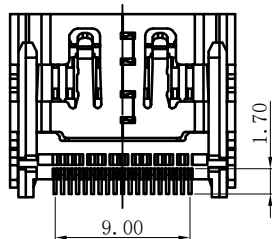
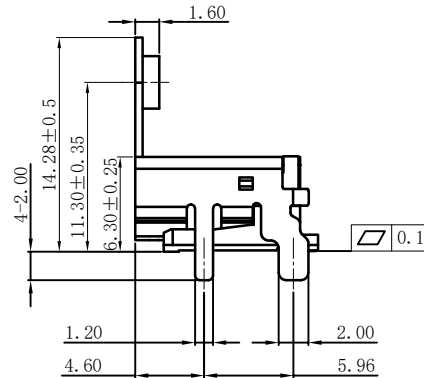
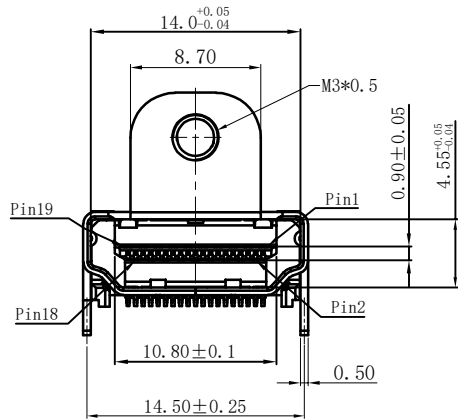
RoHS Compliant

REVISIONS			
REV.	DESCRIPTION	DATE	DESIGN



RECOMMENDED PCB LAYOUT (TOP VIEW)

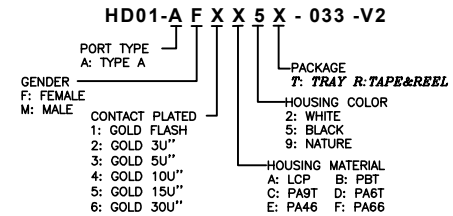
TOLERANCE: ±0.05mm



SPECIFICATIONS:

- ELECTRICAL CHARACTERISTICS
  - CURRENT RATING: 0.5 AMP
  - VOLTAGE RATING: 40 V
  - CONTACT RESISTANCE: 30MILLIOHMS MAX
  - INSULATION RESISTANCE: 100M MIN. @500V DC
  - DIELECTRIC WITHSTANDING VOLTAGE: 500V AC FOR 1 MINUTE
- MECHANICAL CHARACTERISTICS:
  - INSERTION FORCE : 4.5KGF MAX.
  - WITHDRAWING FORCE : 1KGF ~ 4KGF.
- LIFE TEST: 10000 CYCLES
- OPERATING TEMPERATURE: -25° C TO +85° C
- PART NO. DESCRIPTION:

PART NO. INFORMATION



C	SHELL	1	C2680R-H T=0.5mm, Ni 50u" PLATING ALL OVER
B	TERMINAL	19	C2680R-H SEE PART NO.
A	HOUSING	1	LCP E130i UL94V-0 BLACK
NO	PART NAME	QTY	MATERIAL PLATING & COLOR

**Bestcreate Technology Limited**

TOLERANCES UNLESS OTHERWISE SPECIFIED:

.X	± 0.35	.X'	± 3'
.XX	± 0.25	.X''	± 2'
.XXX	± 0.15	.XX'	± 1'

E-mail: [bestcreate@bsc-elec.com](mailto:bestcreate@bsc-elec.com)  
 Website: [www.bsc-elec.com](http://www.bsc-elec.com)

DESIGN: I.L DATE: 2017.3.1

CHECKED: C.W DATE: 2017.3.1

APPROVED: C.W DATE: 2017.3.1

TITLE: HDMI 2.1VERSION A FEMALE CONNECTOR WITH SCREW SMT TYPE WITH SCREW HEIGHT 11.3

MATERIAL:	PART NO:	SIZE:
FINISH:	HD01-AFXX5R-033-V2	A4
	DWG NO:	
	HD01-AFXX5R-033-V2	

REV:	UNIT	SCALE	QUALITY SYMBOLS
A	mm	1=1	