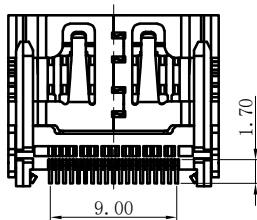
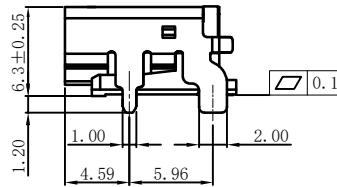
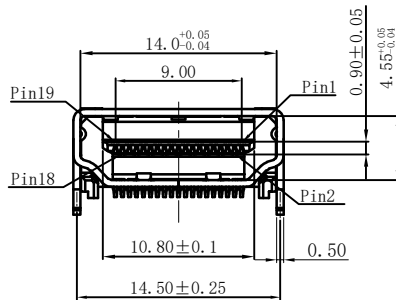
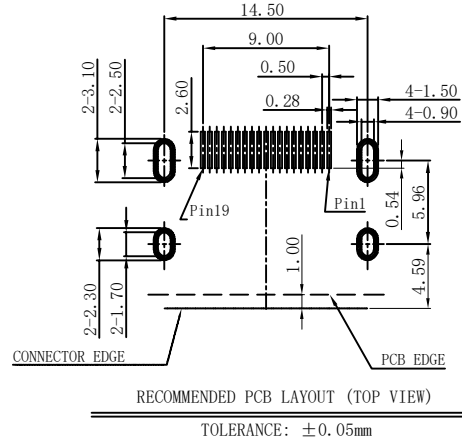
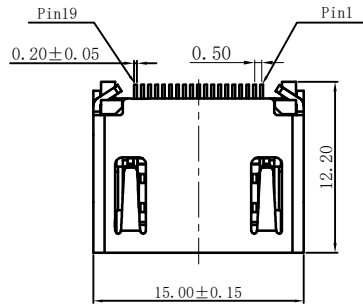


RoHS Compliant

REVISIONS			
REV.	DESCRIPTION	DATE	DESIGN

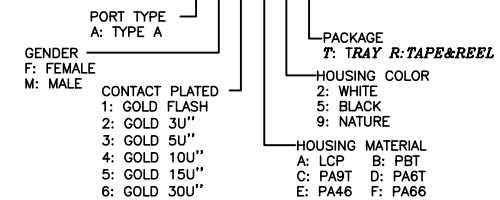


SPECIFICATIONS:

- ELECTRICAL CHARACTERISTICS
  - CURRENT RATING: 0.5 AMP
  - VOLTAGE RATING: 40 V
  - CONTACT RESISTANCE: 30MILLIOHMS MAX
  - INSULATION RESISTANCE: 100M MIN. @500V DC
  - DIELECTRIC WITHSTANDING VOLTAGE: 500V AC FOR 1 MINUTE
- MECHANICAL CHARACTERISTICS:
  - INSERTION FORCE : 4.5KGF MAX.
  - WITHDRAWING FORCE : 1KGF ~ 4KGF.
- LIFE TEST: 10000 CYCLES
- OPERATING TEMPERATURE: -25° C TO +85° C
- PART NO. DESCRIPTION:

PART NO. INFORMATION

**HD01-A F X X 5 X - 034 - V1**



NO	PART NAME	QTY	MATERIAL PLATING & COLOR
C	SHELL	1	C2680R-H T=0.5mm, Ni 50u" PLATING ALL OVER
B	TERMINAL	19	C2680R-H SEE PART NO.
A	HOUSING	1	LCP E130i UL94V-0 BLACK

**Bestcreate Technology Limited**

TOLERANCES UNLESS OTHERWISE SPECIFIED:

.X	± 0.35	X.	± 3'
.XX	± 0.25	.X'	± 2'
.XXX	± 0.15	.XX'	± 1'

E-mail: [bestcreate@bsc-elec.com](mailto:bestcreate@bsc-elec.com)  
 Website: [www.bsc-elec.com](http://www.bsc-elec.com)

DESIGN:	DATE:	TITLE:	
I.L	2017.3.1	HDMI 2.1VERSION A FEMALE CONNECTOR SMD TYPE WITH PIN LENGTH 1.2MM	
CHECKED:	DATE:	MATERILA:	PART NO:
C.W	2017.3.1		HD01-AFXX5X-034-V1
APPROVED:	DATE:	FINSH:	DWG NO:
C.W	2017.3.1		HD01-AFXX5X-034-V1
			SIZE: A4

REV:	UNIT	SCALE	QUALITY SYMBOLS
A	mm	1=1	