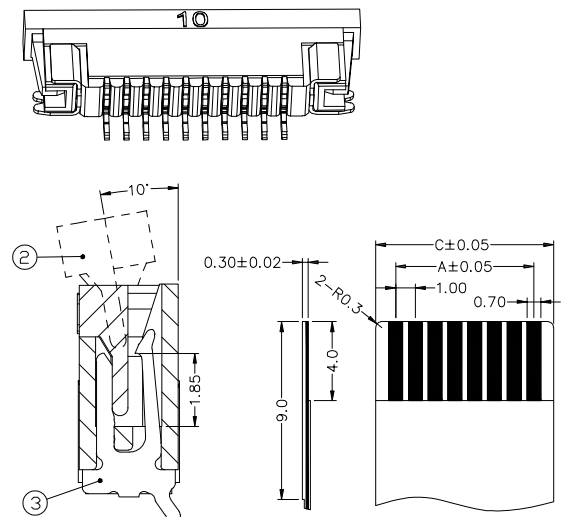
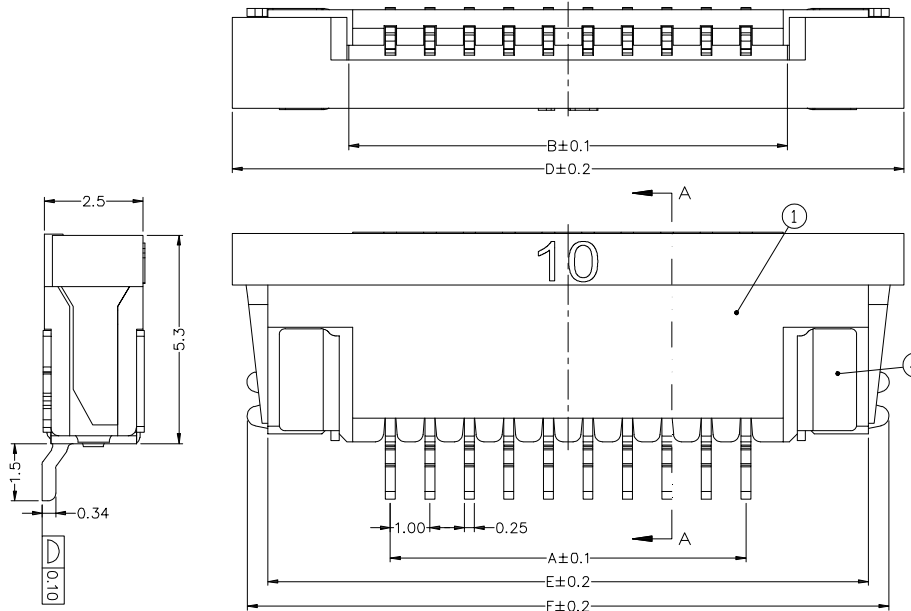


RoHS Compliant

1.0mm PITCH FPC CONNECTORS

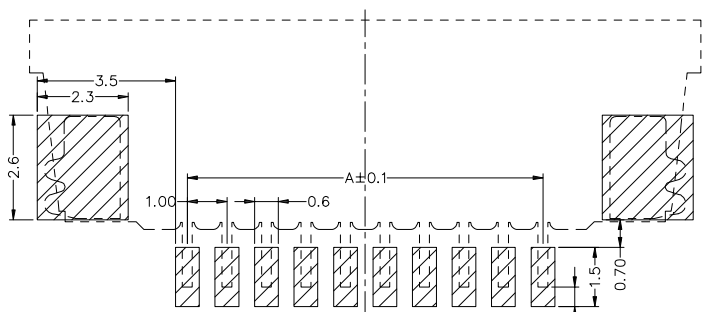
REVISIONS			
REV.	DESCRIPTION	DATE	DESIGN

PIN	DIM A	DIM B	DIM C	DIM D	DIM E	DIM F
4	3.00	5.10	5.00	11.00	9.20	10.30
5	4.00	6.10	6.00	12.00	10.20	11.30
6	5.00	7.10	7.00	13.00	11.20	12.30
7	6.00	8.10	8.00	14.00	12.20	13.30
8	7.00	9.10	9.00	15.00	13.20	14.30
9	8.00	10.10	10.00	16.00	14.20	15.30
10	9.00	11.10	11.00	17.00	15.20	16.30
11	10.00	12.10	12.00	18.00	16.20	17.30
12	11.00	13.10	13.00	19.00	17.20	18.30
13	12.00	14.10	14.00	20.00	18.20	19.30
14	13.00	15.10	15.00	21.00	19.20	20.30
15	14.00	16.10	16.00	22.00	20.20	21.30
16	15.00	17.10	17.00	23.00	21.20	22.30
17	16.00	18.10	18.00	24.00	22.20	23.30
18	17.00	19.10	19.00	25.00	23.20	24.30
19	18.00	20.10	20.00	26.00	24.20	25.30
20	19.00	21.10	21.00	27.00	25.20	26.30
21	20.00	22.10	22.00	28.00	26.20	27.30
22	21.00	23.10	23.00	29.00	27.20	28.30
23	22.00	24.10	24.00	30.00	28.20	29.30
24	23.00	25.10	25.00	31.00	29.20	30.30
25	24.00	26.10	26.00	32.00	30.20	31.30
26	25.00	27.10	27.00	33.00	31.20	32.30
27	26.00	28.10	28.00	34.00	32.20	33.30
28	27.00	29.10	29.00	35.00	33.20	34.30
29	28.00	30.10	30.00	36.00	34.20	35.30
30	29.00	31.10	31.00	37.00	35.20	36.30
31	30.00	32.10	32.00	38.00	36.20	37.30
32	31.00	33.10	33.00	39.00	37.20	38.30
33	32.00	34.10	34.00	40.00	38.20	39.30
34	33.00	35.10	35.00	41.00	39.20	40.30
35	34.00	36.10	36.00	42.00	40.20	41.30
36	35.00	37.10	37.00	43.00	41.20	42.30



PROPER CABLE (SCALE 2:1)

Electrical
 rated current:0.5A AC(rms)/DC
 nominal voltage:50V AC(rms)/DC
 Dielectric Withstanding Voltage:500V AC/rms
 Contact Resistance:≤20 mΩ max(initial)
 Insulation Resistance:800 MΩ min
 Operating Temp:-20℃ ~+85℃

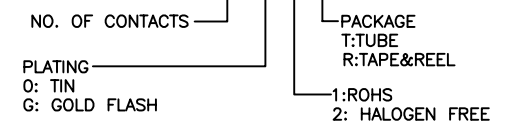


PC BOARD LAYOUT

④	FITTING	PHOSPHOR BRONZE	PDR-100-BK(L/R)
③	TERMINAL	PHOSPHOR BRONZE	PDR-100-BX
②	LATCH	LCP(BLACK)UL94V-0	10B-NA
①	HOUSING	LCP(NATURAL)UL94V-0	10B-NY
SERIAL NUMBER	NAMER	MATERIALS	PART NUMBER

PART NO. INFORMATION

FPC10-XX 0 1 X - B007



Bestcreate Technology Limited

TOLERANCES UNLESS OTHERWISE SPECIFIED:	
.X ± 0.50	.X' ± 2'
.XX ± 0.20	.X' ± 1'
.XXX ± 0.05	.X' ± 0.5'
Website:www.bsc-elec.com	
Email:bestcreate@bsc-elec.com	

DESIGN:	DATE:
I. L	2017. 3. 1
CHECKED:	DATE:
C. W	2017. 3. 1
APPROVED:	DATE:
C. W	2017. 3. 1

TITLE: 1.0MM FPC 半包下接 (H=2.5)		
MATERILA:	PART NO: FPC10-XX01X-B007	SIZE: A4
FINSH:	DWG NO: FPC10-XX01X-B007	

REV: A	UNIT mm	SCALE 1=1	QUALITY SYMBOLS
--------	---------	-----------	-----------------