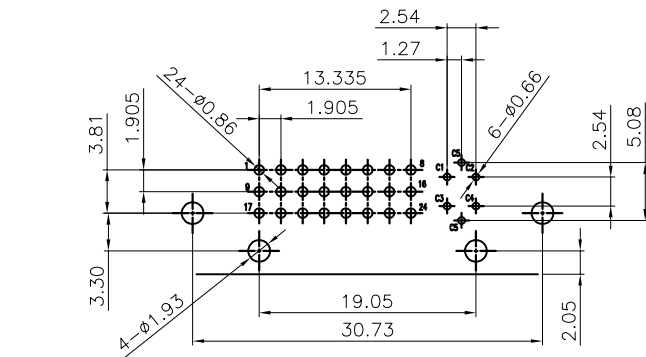
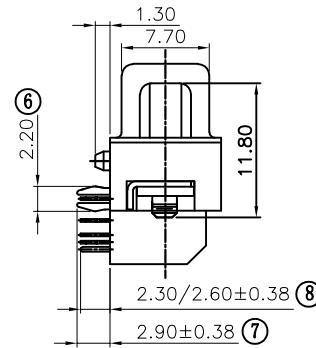
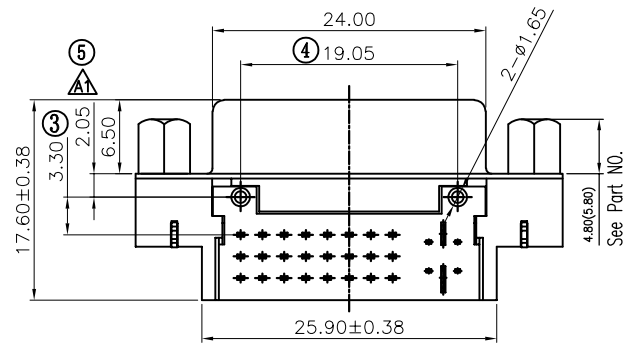
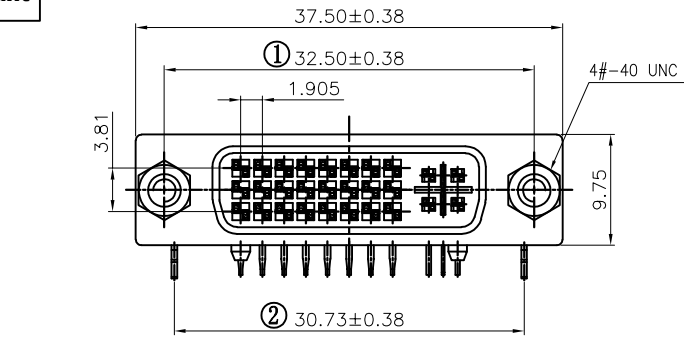


RoHS Compliant



PCB LAYOUT

REVISIONS

REV.	DESCRIPTION	DATE	DESIGN

NOTE:

— MATERIALS:

- Housing:SEE PART NO. Color: SEE PART NO.
- Cover:SEE PART NO. Color: SEE PART NO.
- Contacts:Brass
- Shell:SPCC
- Board Lock:SPCC
- Rivet:Copper Alloy
- Screw:SPCC Or Copper Alloy

≡ FINISH:

- Contacts:Gold Plated on Contact Area  
Sn Plated on Solderails  
Nickel Under Plated Over All
- Shell:Nickel Plated
- Board Lock: Sn Plated
- Rivet:Nickel Plated
- Screw:Nickel Plated

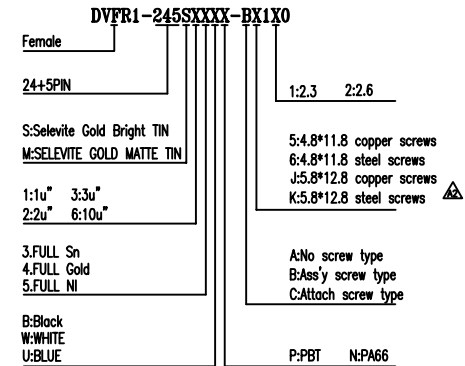
≡ ICAL CHARACTERISTICS

CURRENT RATING:1.5 AMP DC  
VOLTAGE RATING:40 V DC  
CONTACT RESISTANCE:30 MILLIOHMS MAX.  
DIELECTRIC WITHSTANDING VOLTAGE:500 V AC MIN.  
INSULATION RESISTANCE:1000 MEGAOHMS MIN.

≡ MECHANICAL

MATING FORCE:4.5Kgf MAX.  
UNMATING FORCE:1.0-4.0 Kgf

≡ HOW TO ORDER:



**Bestcreate Technology Limited**

TOLERANCES UNLESS OTHERWISE SPECIFIED:

.X	± 0.38	.X'	± 3'
.XX	± 0.25	.X''	± 2'
.XXX	± 0.15	.XXX'	± 1'

Website:www.bsc-elec.com

Email:bestcreate@bsc-elec.com

DESIGN:

DATE:

I. L

2017. 3. 1

CHECKED:

DATE:

C. W

2017. 3. 1

APPROVED:

DATE:

C. W

2017. 3. 1

TITLE:

DVI24+5 FEMALE CONNECTOR R/A WITH SCREW(4. 8\*11. 8), H=2. 05

MATERILA:

PART NO:

SIZE: A4

FINSH:

DWG NO:

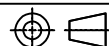
DVFR1.245SXXXX.BX1X0

REV: A

UNIT mm

SCALE 1=1

QUALITY SYMBOLS



1

2

3

4

5

6

7

8