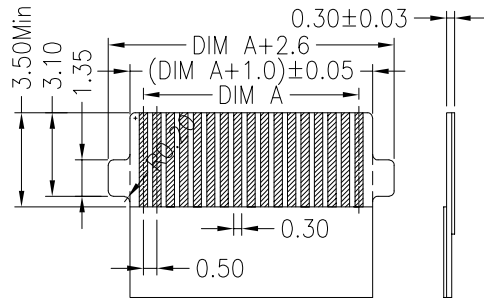
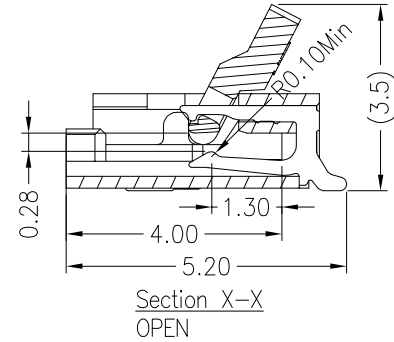
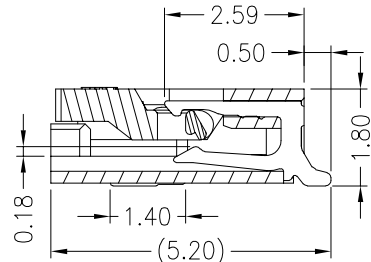
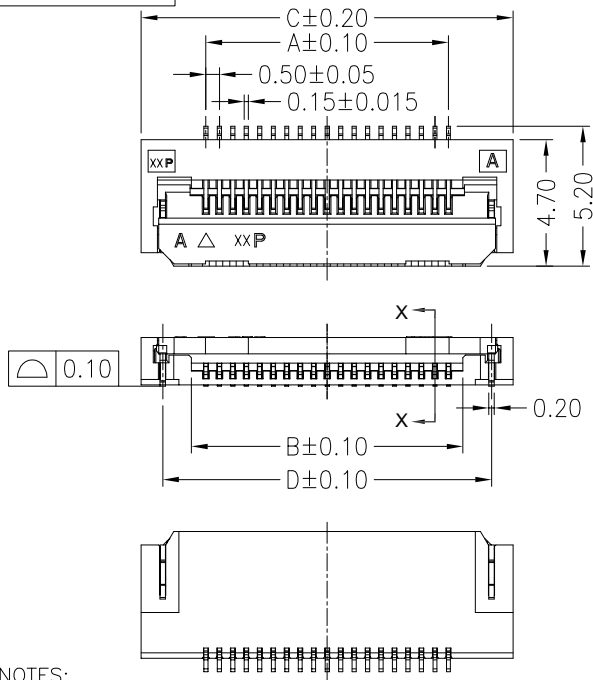
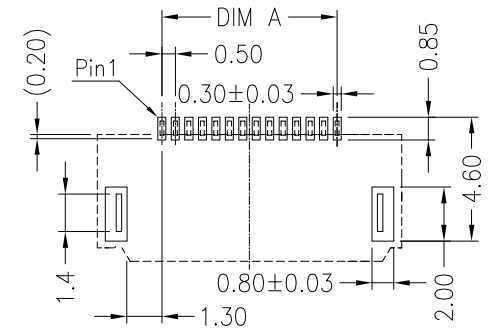


RoHS Compliant

REVISIONS			
REV.	DESCRIPTION	DATE	DESIGN



Applicable FPC



RECOMMEND PCB LAYOUT  
Tolerance: ±0.05

- NOTES:
- MATERIAL:
    - HOUSING:THERMOPLASTIC,HIGH TEMP,UL94V-0.COLOR SI BLACK.
    - ACTUATOR:THERMOPLASTIC,HIGH TEMP,UL94V-0.COLOR SI BLACK.
    - CONTACT:COPPER ALLOY.
    - FITTING NAIL:COPPER ALLOY.
  - PLATING:
    - TERMINAL PLATING:  
THE NICKEL BASE 50u"MIN  
A0:GOLD FLASH OVERALL.  
A3:3u"GOLD ON CONTACT AND SOLDER FOR IS GOLD FLASH OVERALL.  
MS:100u"MIN.MATT TIN UNDERPLATING OVERALL.
    - FITTING NAIL:  
50u"MIN.NICKEL UNDERPLATING OVERALL.  
80u"MIN.MATT TIN UNDERPLATING OVERALL.
  - THE COPLANARITY IS 0.10mm MAX.
  - THE TRUE POSITION IS 0.10mm MAX.
  - REFLOW SOLDER CAPABLE TO 260°C.
  - PART NUMBER  
FPC0518AI-XXXRC-BBXXR

004: 4Pin MS: MATT TIN  
060: 60Pin A0: GOLD FLASH ON CONTACT  
A3: 3u"GOLD ON CONTACT

CKT	A	B	C	D	CKT	A	B	C	D
4	1.50	2.57	6.30	4.70	28	13.50	14.57	18.30	16.70
5	2.00	3.07	6.80	5.20	29	14.00	15.07	18.80	17.20
6	2.50	3.57	7.30	5.70	30	14.50	15.57	19.30	17.70
7	3.00	4.07	7.80	6.20	31	15.00	16.07	19.80	18.20
8	3.50	4.57	8.30	6.70	32	15.50	16.57	20.30	18.70
9	4.00	5.07	8.80	7.20	33	16.00	17.07	20.80	19.20
10	4.50	5.57	9.30	7.70	34	16.50	17.57	21.30	19.70
11	5.00	6.07	9.80	8.20	35	17.00	18.07	21.80	20.20
12	5.50	6.57	10.30	8.70	36	17.50	18.57	22.30	20.70
13	6.00	7.07	10.80	9.20	37	18.00	19.07	22.80	21.20
14	6.50	7.57	11.30	9.70	38	18.50	19.57	23.30	21.70
15	7.00	8.07	11.80	10.20	39	19.00	20.07	23.80	22.20
16	7.50	8.57	12.30	10.70	40	19.50	20.57	24.30	22.70
17	8.00	9.07	12.80	11.20	41	20.00	21.07	24.80	23.20
18	8.50	9.57	13.30	11.70	42	20.50	21.57	25.30	23.70
19	9.00	10.07	13.80	12.20	43	21.00	22.07	25.80	24.20
20	9.50	10.57	14.30	12.70	44	21.50	22.57	26.30	24.70
21	10.00	11.07	14.80	13.20	45	22.00	23.07	26.80	25.20
22	10.50	11.57	15.30	13.70	46	22.50	23.57	27.30	25.70
23	11.00	12.07	15.80	14.20	47	23.00	24.07	27.80	26.20
24	11.50	12.57	16.30	14.70	48	23.50	24.57	28.30	26.70
25	12.00	13.07	16.80	15.20	49	24.00	25.07	28.80	27.20
26	12.50	13.57	17.30	15.70	50	24.50	25.57	29.30	27.70
27	13.00	14.07	17.80	16.20	60	29.50	30.57	34.30	32.70

**Bestcreate Technology Limited**

TOLERANCES UNLESS OTHERWISE SPECIFIED:

.X	± 0.25	.X'	± 3'
.XX	± 0.20	.X'	± 2'
.XXX	± 0.15	.XX'	± 1'

Website: www.bsc-elec.com  
Email: bestcreate@bsc-elec.com

DESIGN: I.L DATE: 2017.3.1

CHECKED: C.W DATE: 2017.3.1

APPROVED: C.W DATE: 2017.3.1

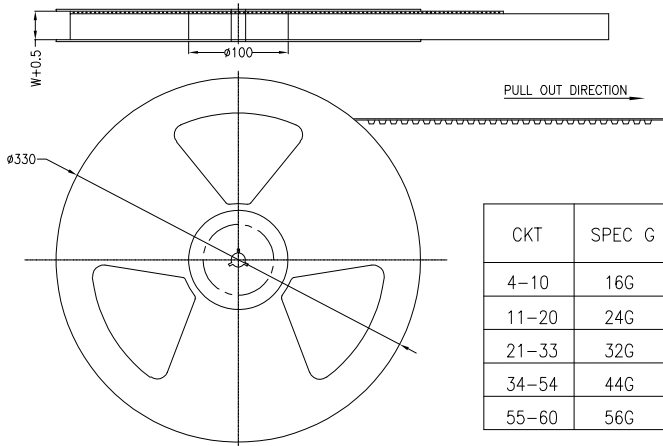
TITLE: 0.5mm PITCH EASY ON FPC Conn. H=1.8mm LOCK YTYPE

MATERILA:	PART NO: FPC0518AI-XXXRK-BBXXR	SIZE: A4
FINSH:	DWG NO: FPC0518AI-XXXRK-BBXXR	SHEE: 1 of 2

REV: A	UNIT mm	SCALE 1=1	QUALITY SYMBOLS
--------	---------	-----------	-----------------

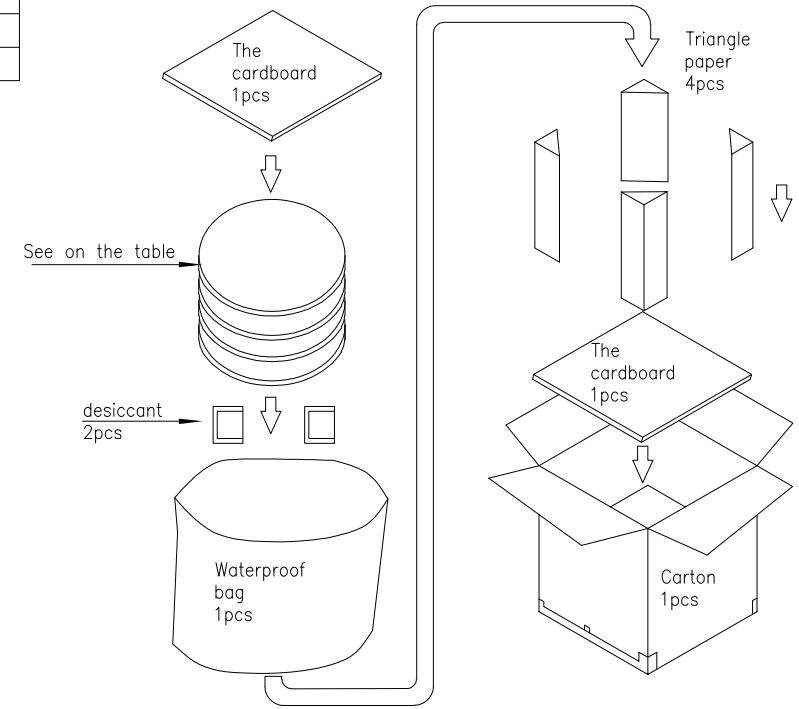
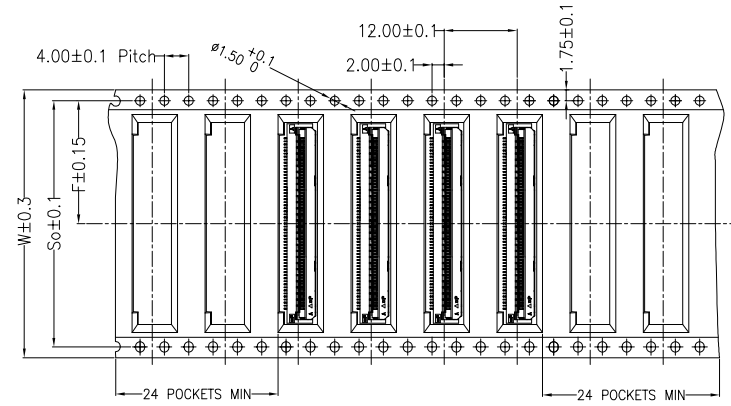
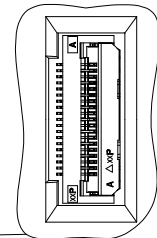
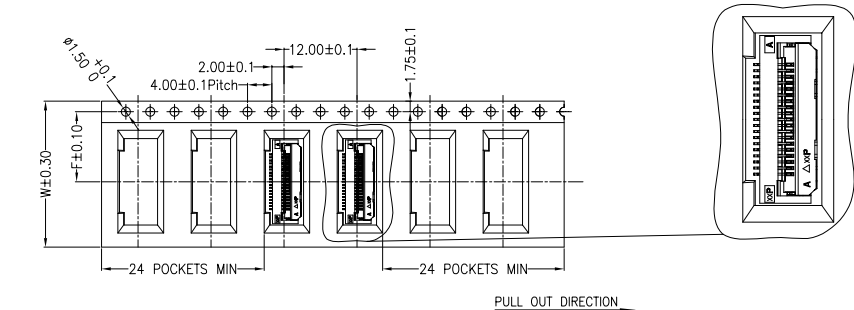
RoHS Compliant

REVISIONS			
REV.	DESCRIPTION	DATE	DESIGN



CKT	SPEC G	DIM. W	DIM. F	DIM. So	rell/carton
4-10	16G	16.0	7.5	—	15
11-20	24G	24.0	11.5	—	10
21-33	32G	32.0	14.2	28.4	8
34-54	44G	44.0	20.2	40.4	6
55-60	56G	56.0	26.2	52.4	5

- Note:
- 1.10 sprocket hole pitch cumulative tolerance  $\pm 0.2$
  2. Carrier camber is within 1 mm in 250mm.
  3. All dimensions meet EIA-481-B requirements.
  4. Thickness:  $0.30 \pm 0.05$ mm.
  5. Component load per 13" reel: 2000 pcs.
  6. The following specifications are shown in the table below
  7. Carton Size: 350x350x340mm



**Bestcreate Technology Limited**

TOLERANCES UNLESS OTHERWISE SPECIFIED:

.X	± 0.25	.X'	± 3'
.XX	± 0.20	.X'	± 2'
.XXX	± 0.15	.XX'	± 1'

Website: [www.bsc-elec.com](http://www.bsc-elec.com)  
 Email: [bestcreate@bsc-elec.com](mailto:bestcreate@bsc-elec.com)

DESIGN:	DATE:
I. L	2017. 3. 1
CHECKED:	DATE:
C. W	2017. 3. 1
APPROVED:	DATE:
C. W	2017. 3. 1

TITLE: <b>0.5mm PITCH EASY ON FPC Conn. H=1.8mm LOCK YTYPE</b>		
MATERILA:	PART NO: FPC0518AI-XXXRK-BBXXR	SIZE: A4
FINSH:	DWG NO: FPC0518AI-XXXRK-BBXXR	SHEE: 2 of 2

REV: A	UNIT mm	SCALE 1=1	QUALITY SYMBOLS 
-----------	------------	--------------	---------------------