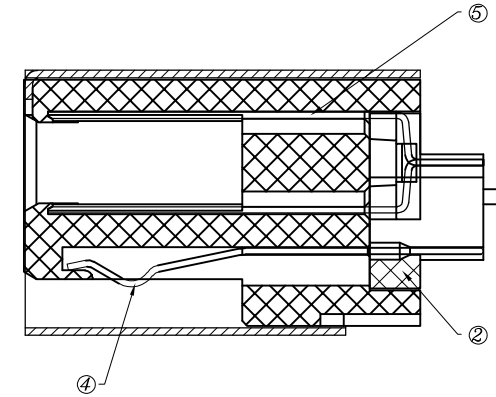
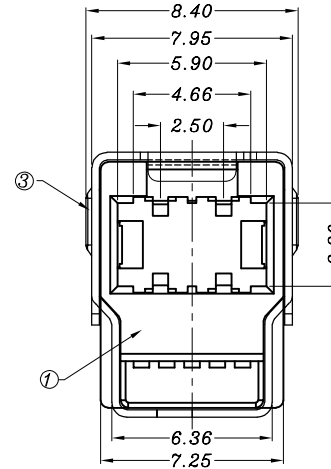
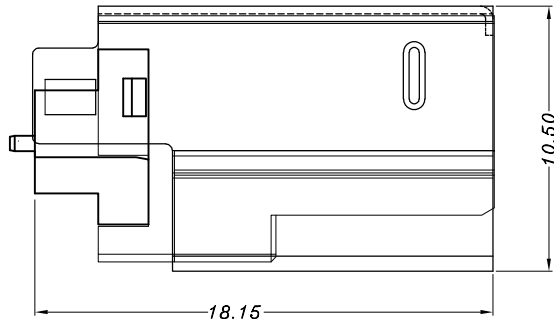


RoHS Compliant

REVISIONS			
REV.	DESCRIPTION	DATE	DESIGN



NOTE:

1.Material:

Housing:PBT 4830 UL94V-0 Color:Blue
 Terminal:C5210R(5P) T=0.25mm,C2680R(4P)T=0.25mm
 Contact Area Plating Au 1u",15u",30u"
 Shell:SPCC T=0.3mm Plating Ni 80-120u"

2.Electrical Characteristics:

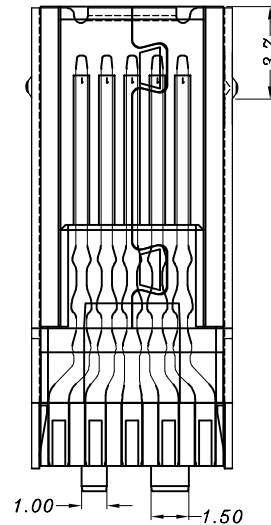
Current Rating:1.8 Amp
 Insulation Resistance:100MΩ Min
 Contact Resistance:50mΩ Max
 Dielectric Withstanding Voltage:100V AC Min

3.Mechanical Characteristics:

Mating Force: 3.57kgf Max
 Unmating Force: 1.02kgf Min

4.Environmental:

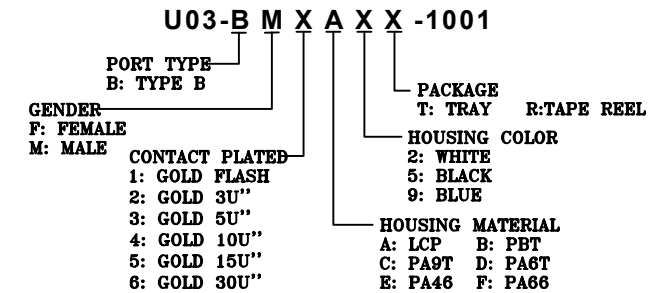
Operating Temperature: -40°C - +85°C



BILL OF MATERIAL:

ITEM	NAME	MATERIAL	PLATING OR COLOR	NOTES
①	HOUSING	PBT 4830 UL94V-0	BLUE	
②	BACK SHELL	PBT 4830 UL94V-0	BLUE	
③	SHELL	SPCC T=0.30	Ni 80-120u"	
④	5P TERMINAL	C5210R T=0.25	G/F ON CONTACT, MATTE TIN ON TERMINAL	
⑤	4P TERMINAL	C2680R T=0.25	G/F ON CONTACT, MATTE TIN ON TERMINAL	

PART NO. INFORMATION



Bestcreate Technology Limited

TOLERANCES UNLESS OTHERWISE SPECIFIED:

X.	± 0.30	X.'	± 3'
.X	± 0.20	.X'	± 2'
.XX	± 0.15	.XX'	± 1'

Website: www.bsc-elec.com
 E-mail: bestcreate@bsc-elec.com

DESIGN: I.L DATE: 2017.3.1

CHECKED: C.W DATE: 2017.3.1

APPROVED: C.W DATE: 2017.3.1

TITLE: USB 3.0 BM CONNECTOR SHORT BODY FOR WIRE SOLDERING

MATERIAL: PART NO: U03-BMXAXX-1001 SIZE: A4

FINISH: DWG NO: U03-BMXAXX-1001 SHEET: 1 OF 1

REV: A UNIT mm SCALE 1=1 QUALITY SYMBOLS