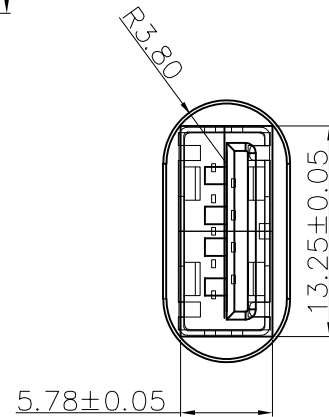
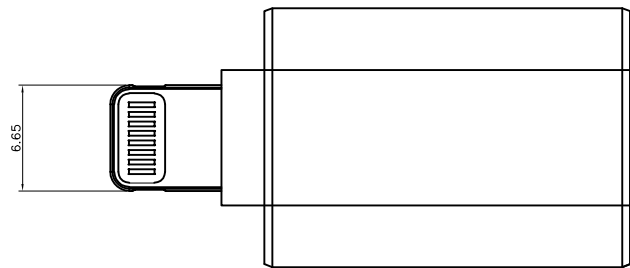
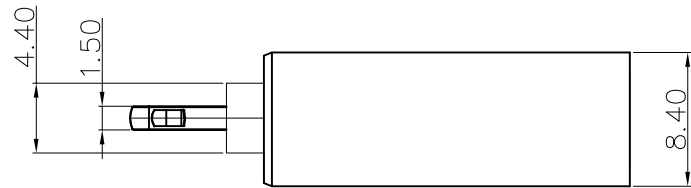
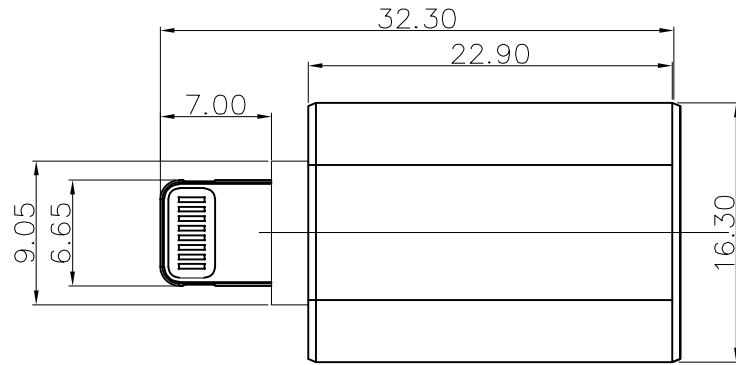


RoHS Compliant

REVISIONS			
REV.	DESCRIPTION	DATE	DESIGN



Item	Name	Part Number	Description	Q'TY
3	Shell	SH10-**00*	USB3.0 AF Plastic cover 28*16.24*8.52mm,white&Black	1PCS
2	PVC	H-F*****	PVC 45P,COLOR: WHITE&Black	0.005KG
1	PCBA	AP-A005-N	USB3.0 AM TO TYPE CF R:5.1k C:10nF,nickel plated	1PCS

NOTE:

1. ELECTRICAL CHARACTERISTICS;
 - 2.1 CONTACT RESISTANCE: 80mΩ Max
 - 2.2 CONTACT CURRENT RATING: 1.5 A
 - 2.3 DIELECTRIC WITHSTANDING VOLTAGE: 100 V R. M. S.
 - 2.4 INSULATION RESISTANCE 100 MEGOHMS Min
 - 2.5 OPERATING TEMPERATURE: -25° C ~ 75° C
2. MECHANICAL CHARACTERISTICS:
 - 2.1 MATING FORCE: USB CM 5~20N & USB3.0 AF 35N Max.
 - 2.2 UNMATED FORCE: USB CM 8~20N & USB3.0 AF 10N Min.
3. PLATING
 - 3.1 TERMINAL CONTACT: (SEE TAB) GOLD PLATING ALL OVER 50u"MIN NICKEL
 - 3.2 SHELL: 50u"MIN. NICKEL ALL OVER

Bestcreate Technology Limited

TOLERANCES UNLESS OTHERWISE SPECIFIED:

X.	± 0.50	X.*	± 5'
.X	± 0.30	.X*	± 2'
.XX	± 0.10	.XX*	± 1'

Website: www.bsc-elec.com
 Email: bestcreate@bsc-elec.com

DESIGN:	DATE:
I.L	2017.3.1
CHECKED:	DATE:
C.W	2017.3.1
APPROVED:	DATE:
C.W	2017.3.1

TITLE:		
AP AM TO USB 3.0 AF OTG ADAPTER		
MATERILA:	PART NO:	SIZE:
	ADAPAMAF-044	A4
FINSH:	DWG NO:	
	ADAPAMAF-044	

REV:	UNIT	SCALE	QUALITY SYMBOLS
A	mm	1=1	