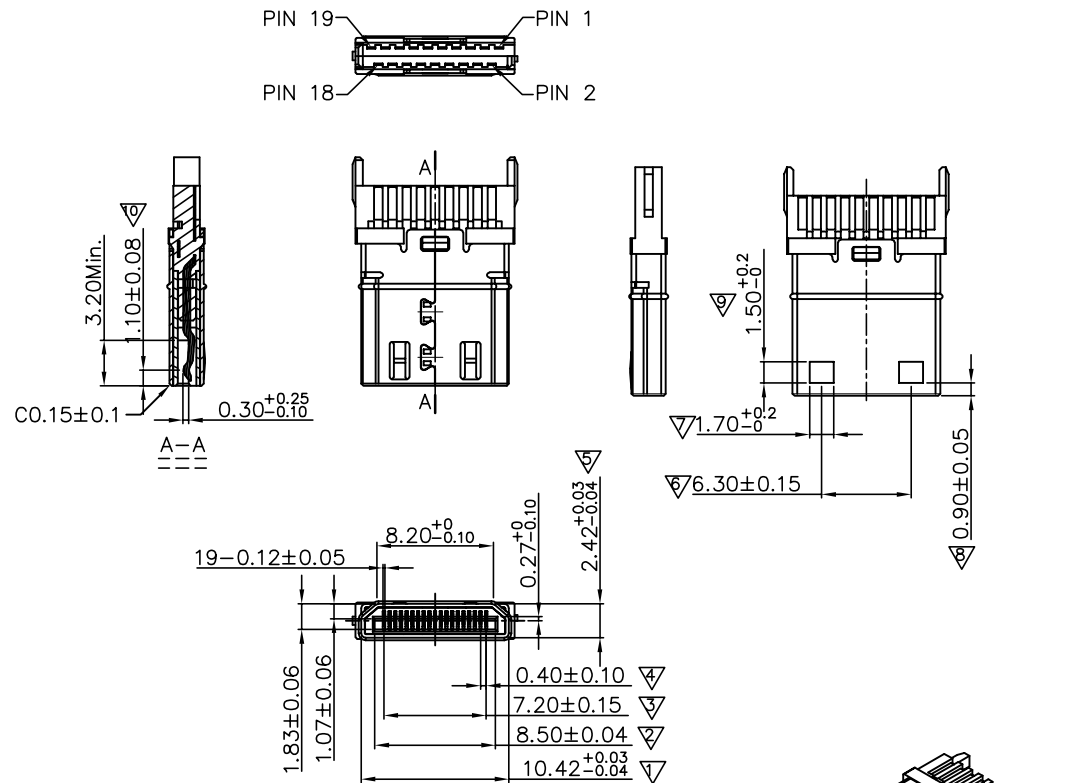


RoHS Compliant

REVISIONS			
REV.	DESCRIPTION	DATE	DESIGN



NOTES(注释):

1.ELECTRICAL CHARACTERISTICS(电气特性):

1-1.CURRENT RATING&VOLTAGE: 0.5A Min. AT 5V AC;
(额定电流&电压: 0.5A Min. AT 5V AC)

1-2.INITIAL CONTACT RESISTANCE: 30mΩ Max.;
(初始接触电阻: 最大不超过30mΩ)

1-3.INSULATION RESISTANCE: 100MΩ Min. AT 500V DC;
(绝缘电阻: 100MΩ Min. AT 500V DC)

1-4.WITHSTANDING VOLTAGE: 300V AC,1 MINUTE;
(耐电压: 300V AC,1MINUTE)

2.MECHANICAL CHARACTERISTICS(机械特性):

2-1.MATING FORCE: 4.5kgf Max.;
(插入力: 最大不超过4.5kgf Max.)

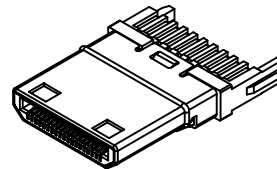
2-2.UNMATING FORCE: 0.7~2.5kgf.
(拔出力: 0.7~2.5kgf)

3.DURABILITY TEST(寿命测试):

3-1.FREQUENCE: 100±50 CYCLES/HOUR,5000 CYCLES;
(频率: 100±50次/小时,5000次)

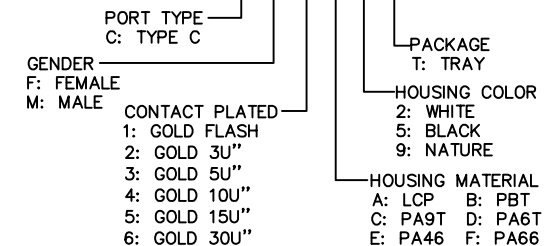
3-2.DURABILITY AFTER TEST: CONTACT RESISTANCE(PER PIN) CHANGE FROM INITIAL VALUE: 30mΩ MAX.,MATING&UNMATING FORCE MEET THE REQUEST,NO DISTORTION,SPLIT,CURLING ETC. APPEARANCE DEFECT;
(寿命测试后,每单PIN接触阻抗与初始值的变化量最大不超过30mΩ,插拔力需符合要求且端子无变形,断裂,卷曲等现象)

4.SALT SPRAY TEST TIME: 24HOURS Min.;
(盐雾测试至少24小时)



PART NO. INFORMATION

HD01-C M X X 5 T - 002



NO.	PART NAME	MATERIAL	FINISH	Q'TY
3	CONTACT	C5191RH,T=0.12mm	Au 1u" AT CONTACT AREA; TIN 100u" Min. AT SOLDER AREA; NI 30 u" Min. OVER ALL.	19
2	SHELL	SPCC,T=0.25mm	NI 80u" Min.	1
1	HOUSING	LCP	BLACK,UL 94V-0	1

Bestcreate Technology Limited

TOLERANCES UNLESS OTHERWISE SPECIFIED:

X.	±	0.50	X.'	±	3'
.X	±	0.25	.X'	±	2'
.XX	±	0.15	.XX'	±	1'

Tel/Whatsapp: 0086-13712299763
Skype: belle.wu3340

DESIGN: I. L. DATE: 2017. 3. 1
CHECKED: C. W. DATE: 2017. 3. 1
APPROVED: C. W. DATE: 2017. 3. 1

TITLE: HDMI C MALE CONNECTOR WIRE SOLDERING

MATERILA:	PART NO: HD01-CMXX5T-002	SIZE: A4
FINSH:	DWG NO: HD01-CMXX5T-002	

REV: A UNIT mm SCALE 1=1 QUALITY SYMBOLS