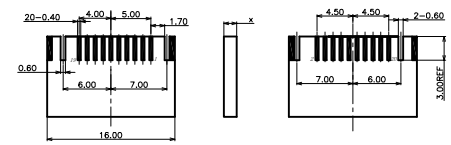
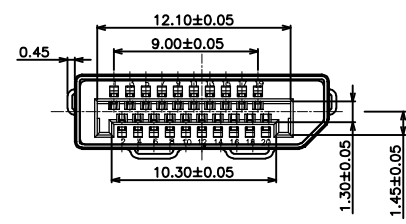
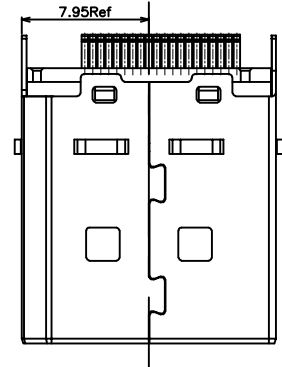
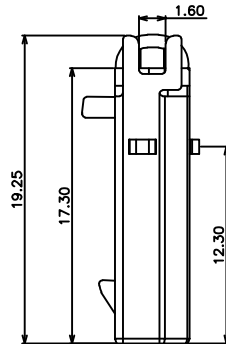
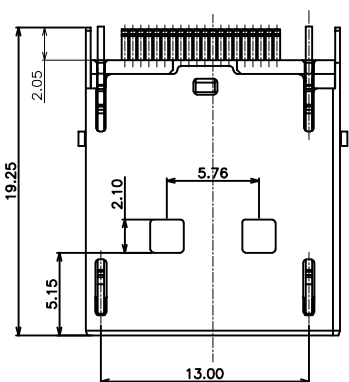
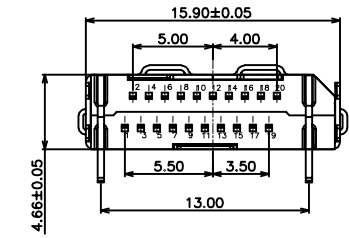


RoHS Compliant

REVISIONS			
REV.	DESCRIPTION	DATE	DESIGN



PCB Layout Reference  
SCALE 2:1

备注:

1. 材质:
    - 1) 端子MOLDING: LCP+30%G/F, UL 94V-0, 颜色: 黑色
    - 2) HOUSING: LCP+30%G/F, UL 94V-0, 颜色: 黑色
    - 3) 端子: 材质: 磷铜C2680R-H T=0.20±0.01mm. 接触区镀金G/F.
    - 4) 外壳: SPCC & 黄铜 T=0.30 镍底: 50~100U" & 镀金G/F
    - 5) 卡钩: 不锈钢SUS301 T=0.40
  2. 电气特性:
    - 1) 接触阻抗: 30mΩ MAX(初始) FOR VBUS AND GND CONNECTS, 其它50mΩ MAX(初始) 环境与寿命测试后的变化值: +10Ω MAX
    - 2) 绝缘阻抗: 100MΩ MIN.
    - 3) 额定电流: 1.5A
    - 4) 耐压: 100V AC(RMS)
  3. 机械特性
    - 1) 插入力: 4.5kg MAX.
    - 2) 拔出力: 1.0kg MIN. 4.0kg Max
    - 3) 寿命: 5000 CYCLES
  4. 环境特性: 使用温度: -40° C~85° C
  5. 符合本公司环境物质管理标准
  6. 盐雾: 24H
- 标记▽为重点管控尺寸.  
 标记⊗为FAI尺寸.  
 标记■为CPK尺寸.

PART NO. INFORMATION

DP09- M X X X X - 003-V1-B

- GENDER  
 F: FEMALE  
 M: MALE
- CONTACT PLATED  
 1: GOLD FLASH  
 2: GOLD 3U"  
 3: GOLD 5U"  
 4: GOLD 10U"  
 5: GOLD 15U"  
 6: GOLD 30U"
- PACKAGE  
 R: TAPE REEL T: TRAY
- HOUSING COLOR  
 2: WHITE  
 5: BLACK  
 9: NATURE
- HOUSING MATERIAL  
 A: LCP B: PBT  
 C: PA9T D: PA6T  
 E: PA46 F: PA66

PIN	定义	PIN	定义
1	ML_Lane0 (P)	11	GND
2	GND	12	ML_Lane3 (N)
3	ML_Lane0 (N)	13	CFG1
4	ML_Lane1 (P)	14	CFG2
5	GND	15	AUX (HLP)
6	ML_Lane1 (N)	16	GND
7	ML_Lane2 (P)	17	AUX (HLP)
8	GND	18	HOT PLUG
9	ML_Lane2 (N)	19	Return (for Pwr)
10	ML_Lane3 (P)	20	DP-PWR (3.3V 500mA)

**Bestcreate Technology Limited**

TOLERANCES UNLESS OTHERWISE SPECIFIED:

.X	± 0.25	X.*	± 3"
.XX	± 0.20	.X.*	± 2"
.XXX	± 0.15	.XX.*	± 1"

DESIGN: I. L DATE: 2017. 3. 1

CHECKED: C. W DATE: 2017. 3. 1

APPROVED: C. W DATE: 2017. 3. 1

TITLE: DP 20P MALE CONNECTOR FOR 1.6MM PCB WITH HOOK

MATERILA:	PART NO: DP09-MXXXX-003-V1-B	SIZE: A4
FINSH:	DWG NO: DP09-MXXXX-003-V1-B	

REV: A	UNIT mm	SCALE 1=1	QUALITY SYMBOLS
--------	---------	-----------	-----------------

Website: www.bsc-elec.com  
 Email: bestcreate@bsc-elec.com