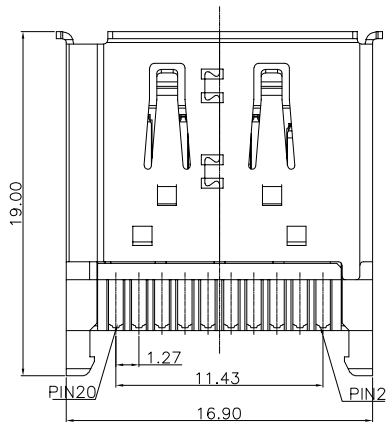
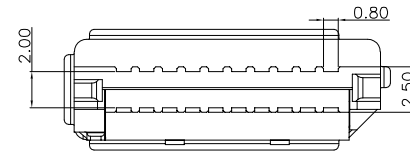
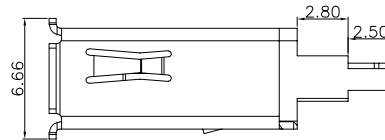
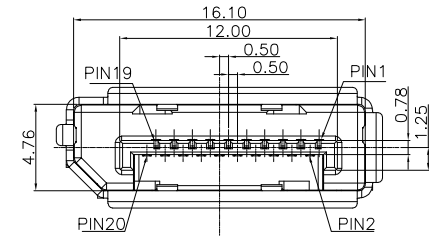
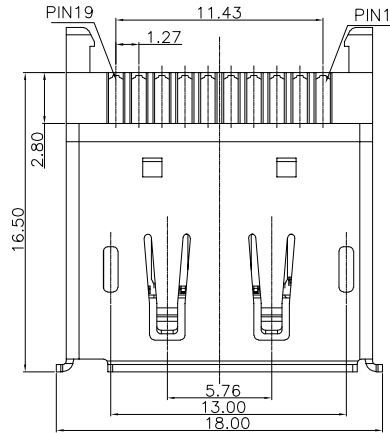


RoHS Compliant

REVISIONS			
REV.	DESCRIPTION	DATE	DESIGN

NOTE:

1. MECHANICAL:
 - 1.1 INSERTION FORCE:44.1MAX
 - 1.2 WITHDRAWAL FORCE:9.8N MIN,39.2N MAX
 - 1.3 Durability :10,000 cycles at 100iA50 cycles per hour.
- 2.ELECTRICAL:
 - 2.1 Low level Contact Resistance:30 milliohm Max.
 - 2.2 CONTACT CURRENT RATING:0.5A MAX
 - 2.3 VOLTAGE RATING:40V AC(RMS)
 - 2.4 WITHSTANDING VOLTAGE:500V AC(RMS)
 - 2.5 INSULATION RESISTANCE:100megohm Min.
3. ENVIRONMENTAL:
 - 3.1 OPERATING TEMPERATURE:
 - 3.1.1 HDMI:-25° TO +85°
 - 3.1.2 DISPLAYPORT:-25° TO +85°



PART NO. INFORMATION

DP09- F X X 5 B - 004-B

- GENDER: F: FEMALE, M: MALE
- CONTACT PLATED: 1: GOLD FLASH, 2: GOLD 3U'', 3: GOLD 5U'', 4: GOLD 10U'', 5: GOLD 15U'', 6: GOLD 30U''
- PACKAGE: B: BAG
- HOUSING COLOR: 2: WHITE, 5: BLACK, 9: NATURE
- HOUSING MATERIAL: A: LCP, B: PBT, C: PA9T, D: PA6T, E: PA46, F: PA66

Bestcreate Technology Limited

TOLERANCES UNLESS OTHERWISE SPECIFIED:

X.	± 0.30	X.*	± 5°
.X	± 0.25	.X.*	± 2°
.XX	± 0.20	.XX.*	± 1°

Website:www.bsc-elec.com
Email:bestcreate@bsc-elec.com

DESIGN: I.L DATE: 2017.3.1

CHECKED: C.W DATE: 2017.3.1

APPROVED: C.W DATE: 2017.3.1

TITLE: DISPLAY PORT FEMALE CONNECTOR FOR WIRE SOLDERING

MATERILA:	PART NO: DP09-FXX5B-004-B	SIZE: A4
FINSH:	DWG NO: DP09-FXX5B-004-B	

REV: A	UNIT mm	SCALE 1=1	QUALITY SYMBOLS
--------	---------	-----------	-----------------