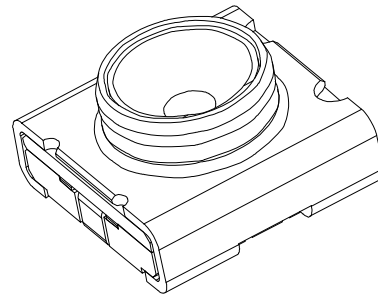
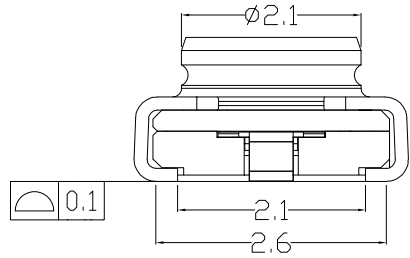
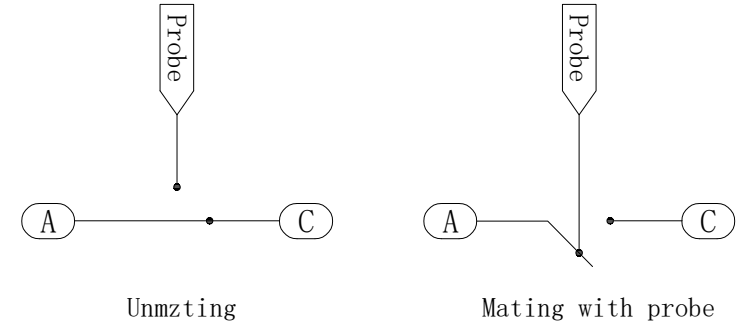
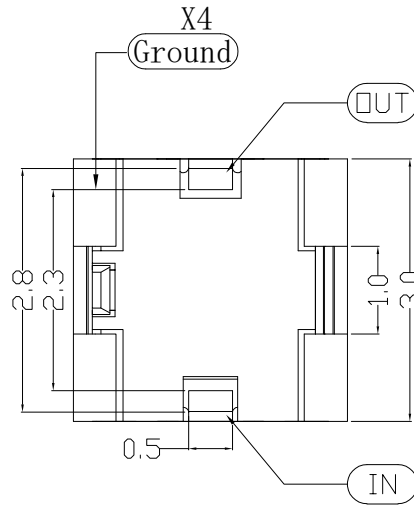
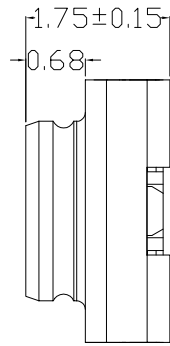
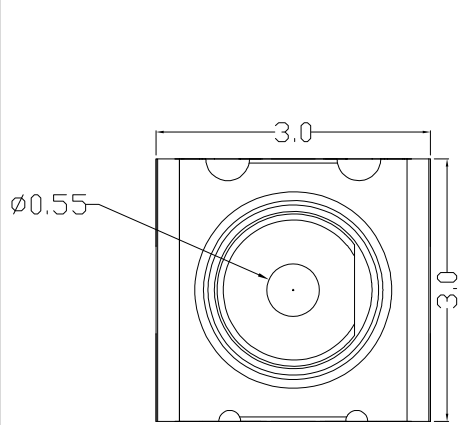


RoHS Compliant

REVISIONS			
REV.	DESCRIPTION	DATE	DESIGN



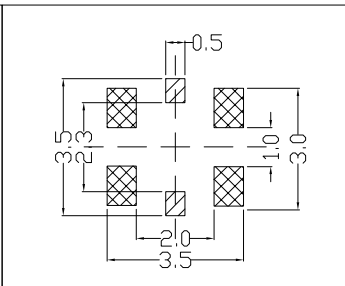
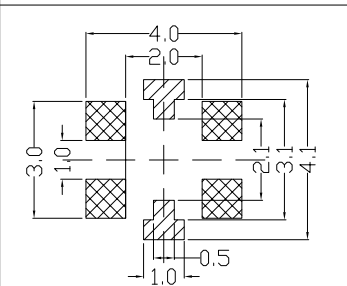
Notes:

1. Material:

Contact: High Performance Copper Alloy
 Shielding Cover: High Performance Copper Alloy
 Housing: Engineering Plastic.

2. Finish:

Contact: 50u" Nickel Underplating Overall.
 Gold Flash 2-3u" on Contact and Solder Tail Area.
 Shielding Cover: 50u" Nickel Underplating Overall.
 Gold Flash min 1u" on & Solder Tail Area.



WEIGHT: 0.0259g

ITEM	PART NUMBER	DESCRIPTION	QTY
1		MHF RF Switch coaxial connector plug vertical (ground contact: gold plating)	1

Bestcreate Technology Limited

TOLERANCES UNLESS OTHERWISE SPECIFIED:			
X.	± 0.30	X.*	± 3'
.X	± 0.15	.X*	± 2'
.XX	± 0.10	.XX*	± 1'

DESIGN:	DATE:
I.L	2017.3.1
CHECKED:	DATE:
C.W	2017.3.1
APPROVED:	DATE:
C.W	2017.3.1

TITLE: Mini Coaxial Connector RF Switch		
MATERIAL:	PART NO: SW1006-A001	SIZE: A4
FINISH:	DWG NO: SW1006-A001	SHEET 1 OF 2

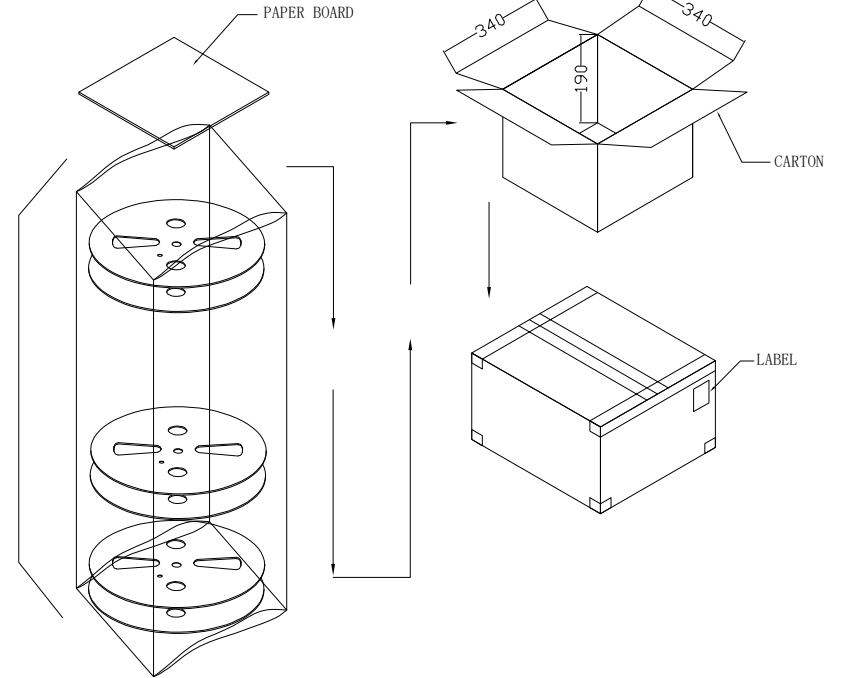
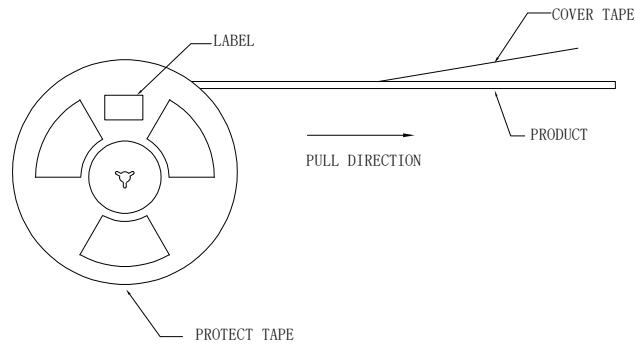
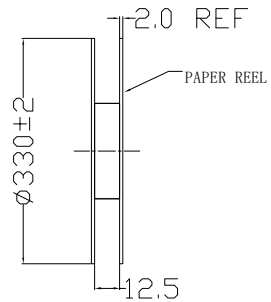
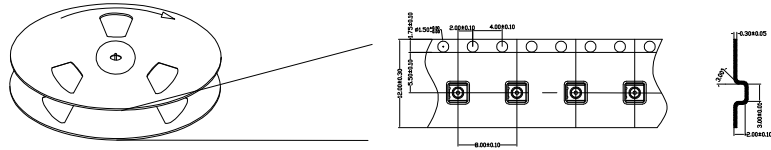
REV: A	UNIT: mm	SCALE: 1=1	QUALITY SYMBOLS
--------	----------	------------	-----------------

Website: www.bsc-elec.com
 Email: bestcreate@bsc-elec.com

RoHS Compliant

REVISIONS			
REV.	DESCRIPTION	DATE	DESIGN

PACKING DIRECTION



1: INFORMATIONS OF THE PACKING

PART NUMBER	Q`TY/REEL	Q`TY/CARTON
SW101-001	3500pcs	35000pcs

Bestcreate Technology Limited

TOLERANCES UNLESS OTHERWISE SPECIFIED:

X.	±	0.30	X.*	±	3*
.X	±	0.15	.X*	±	2*
.XX	±	0.10	.XX*	±	1*

DESIGN: I. L DATE: 2017. 3. 1

CHECKED: C. W DATE: 2017. 3. 1

APPROVED: C. W DATE: 2017. 3. 1

TITLE: Mini Coaxial Connector RF Switch

MATERIAL: PART NO: SW1006-A001 SIZE: A4

FINISH: DWG NO: SW1006-A001 SHEET 2 OF 2

REV: A UNIT: mm SCALE: 1=1 QUALITY SYMBOLS:

Website: www.bsc-elec.com
Email: bestcreate@bsc-elec.com