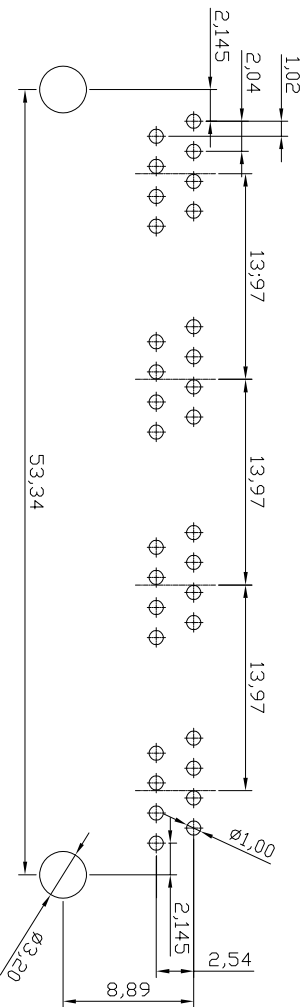
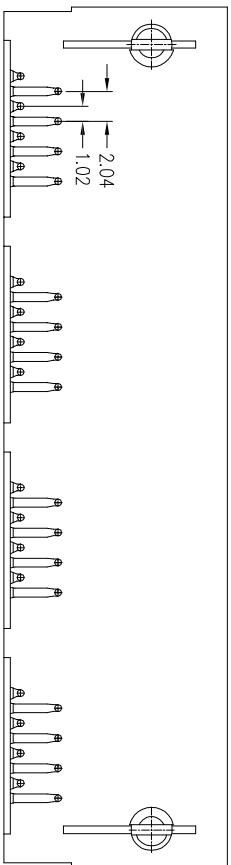
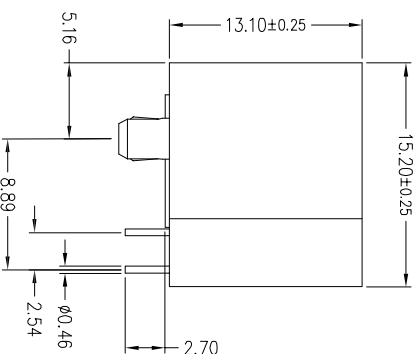
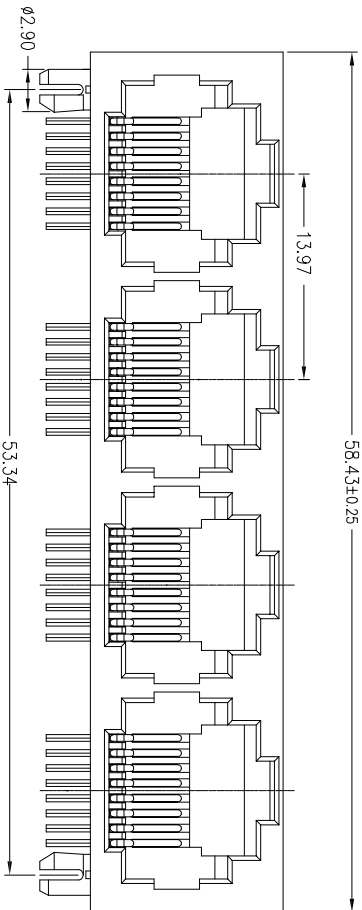


REVISIONS

| REV. | DESCRIPTION | DATE | DESIGN |
|------|-------------|------|--------|
| | | | |



RECOMMENDED P.C.B PLYOUT VIEW

NOTES

- MATERIAL
- 1. HOUSING MATERIAL : THERMO PLASTICS UL94V-0.
 - 2. CONTACT MATERIAL : PHOSPHOR BRONZE Ø0.46mm.
 - 3. PLATING : GOLD FLASH PLATING OVER NICKEL.
 - 4. SHIELD : 0.20mm THICKNESS COPPER ALLOY WITH NICKEL PLATED.

- ELECTRICAL
- 1. VOLTAGE RATING : 125 VAC RMS.
 - 2. CURRENT RATING : 1.5 AMP.
 - 3. CONTACT RESISTANCE : 40 MILLIOHMS MAX.
 - 4. INSULATION RESISTANCE : 500 MEGOHMS MIN @ 100V DC .
 - 5. DIELECTRIC DIELECTRIC RESISTANCE : 500V DC RMS 50HZ. 1MIN.

- MECHANICAL
- 1. DURABILITY : 750 CYCLES MIN.
 - 2. MATING/UNMATING FORC: 2.24 KG.F MAX.

- ENVIRONMENTAL:
- 1. OPERATION : -40°C ~ +85°C.
 - 2. STORAGE : 0° C TO 70° C.

PART NO. INFORMATION

RJ01-X 5 X X - 096

- CONTACT PLATED : 1: G/P 2: AU 3U"
- HOUSING: 1.PBT BLACK 2.PBT YELLOW 3.PBT GRAY 4.PA9T BLACK 5.PA9T GRAY
- PACKAGE R: TAPE REEL T: TRAY

TOLERANCES UNLESS OTHERWISE SPECIFIED:

| DESIGN: | DATE: |
|-------------|------------|
| I. L | 2017. 3. 1 |
| CHECKED: | DATE: |
| .XX ± 0.35 | X' ± 3' |
| .XX ± 0.25 | X' ± 2' |
| .XXX ± 0.15 | .XX' ± 1' |

| DESIGN: | DATE: |
|----------|------------|
| I. L | 2017. 3. 1 |
| CHECKED: | DATE: |
| C. W | 2017. 3. 1 |

TITLE: **RJ45 8P8C**

56 1x4 DIP P=13.97

MATERIAL: PART NO: **RJ01-X5XX-096**

FINSH: DWG NO: **RJ01-X5XX-096**

SIZE: **A4**

Bestcreate Technology Limited

| REV: | UNIT | SCALE | QUALITY SYMBOLS |
|------|------|-------|-----------------|
| A | mm | 1 = 1 | |

| APPROVED: | DATE: |
|-----------|------------|
| C. W | 2017. 3. 1 |

Website: www.bsc-elec.com
 Email: bestcreate@bsc-elec.com