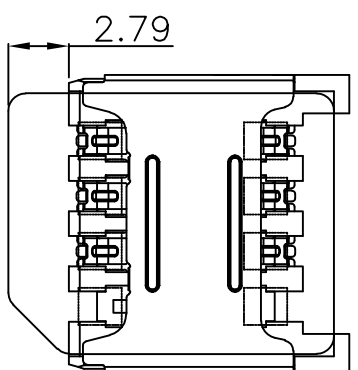
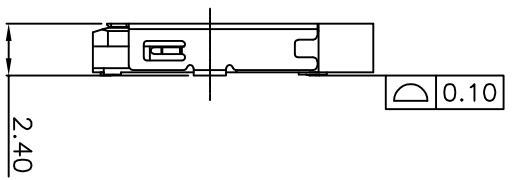
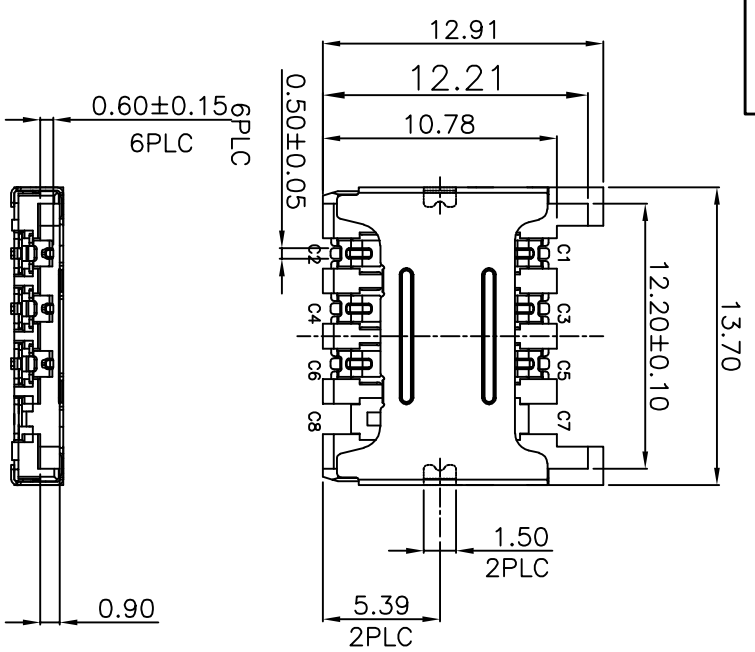


RoHS Compliant

1 2 3 4 5 6 7 8

REVISIONS		
REV.	DESCRIPTION	DATE

NOTES:
 1) MATERIAL:
 HOUSING: LCP UL 94V-0
 CONTACT: COPPER ALLOY
 SHELL: STAINLESS STEEL
 2) FINISH :
 CONTACT: GOLD FLASH PLATED ON CONTACT AREA;
 GOLD FLASH PLATING ON SOLDER TAILS;
 WITH ENTIRE CONTACT UNDERPLATED NICKEL
 SHELL: NICKEL UNDERPLATED OVERALL,
 GOLD FLASH PLATED ON SOLDER TAILS
 3) PART NO.:



INSERT CARD

PART NO.:
MCSIM -06 X X 5 R - 013

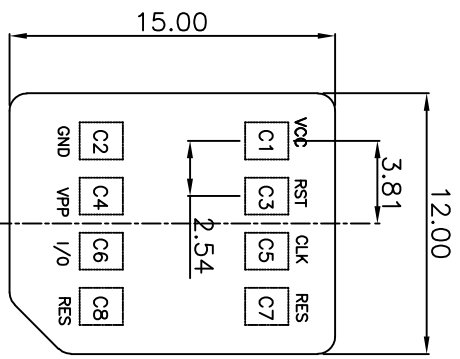
CONTACT PLATED-
 06:06P

CONTRACT PLATED
 1: GOLD FLASH
 2: GOLD 3U"
 3: GOLD 5U"
 4: GOLD 10U"
 5: GOLD 15U"
 6: GOLD 30U"

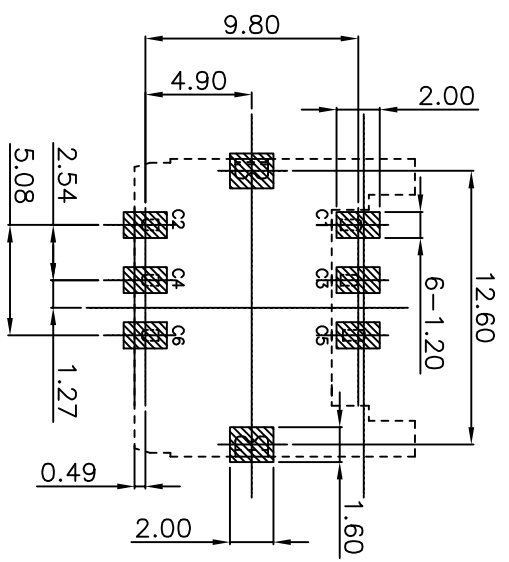
PACKAGE
 R: TAPE REEL

HOUSING COLOR
 2: WHITE
 5: BLACK
 9: NATURE

HOUSING MATERIAL
 A: LCP B: PBT
 C: PA9T D: PA6T
 E: PA46 F: PA66



MICRO SIM CARD
 芯片面朝下视图



RECOMMENDED PCB LAYOUT(TOP VIEW)
 GENERAL TOLERANCES:±0.05

PIN NO.	DESCRIPTION
C1	VCC
C3	RST
C5	CLK
C7	
C2	GND
C4	VPP
C6	I/O
C8	

TOLERANCES UNLESS OTHERWISE SPECIFIED:

	X	± 0.35	X'	±	S'
.XX	±	0.25	.X'	±	2'
.XXX	±	0.15	.XX'	±	1'

DESIGN: DATE:

I.L. 2017.3.1

CHECKED: DATE:

C.W. 2017.3.1

TITLE:

MICRO SIM 2.40H
 6PIN CARD CONN

MATERIAL:

MCSIM-06XX5R-013

FINSH:

MCSIM-06XX5R-013

SIZE: A4

SHEET: 1 OF 2

Bestcreate Technology Limited

REV: A UNIT mm SCALE 1=1 QUALITY SYMBOLS

1 2 3

Website: www.bsc-elec.com
 Email: bestcreate@bsc-elec.com

APPROVED: DATE: 2017.3.1

4 5 6 7 8

