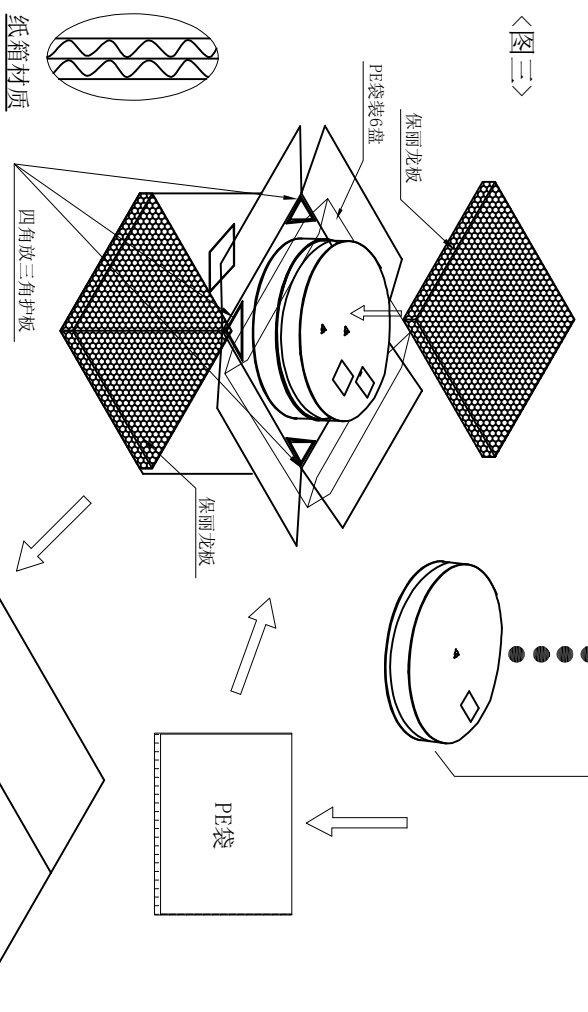
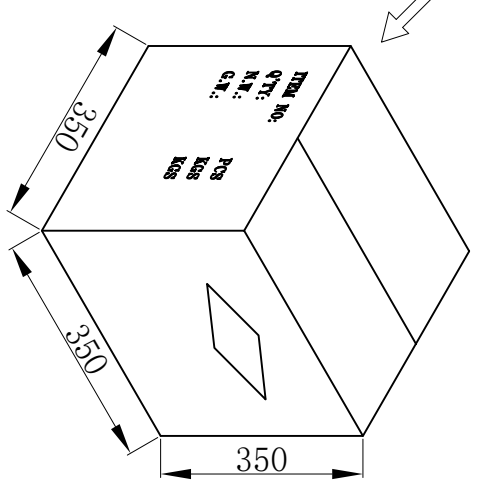


TABLE 1> PACKAGING QUANTITY

QTY/REEL	REEL/CARTON	QTY/CARTON
550	6	3300



- 备注:
1. 依<图一>所示放置产品于Carrier tape中, 每次放置1PCS产品, Carrier tape卷绕时, 前端和尾端各需预留20PCS空格.
 2. Cover tape覆盖Carrier tape前端需超出200mmMIN, 后端需留出300mmMIN, 两端都以美文胶贴固.
 3. 包装机包好后, 在Reel的个等分点贴上胶带, 以防止REEL张开, 每Reel贴1PCS标签, 如<图二>所示
 4. 包装数量见如<TABLE 1>所示
 5. 包装成箱见如<图三>所示
 6. 封箱, 在封好的纸箱侧面中间位置贴上出货标签.



Bestcreate Technology Limited

TOLERANCES UNLESS OTHERWISE SPECIFIED:

Φ	±	0.35	X'	±	5'
.XX	±	0.25	.X'	±	2'
.XXX	±	0.15	.XX'	±	1'

DESIGN: I.L DATE: 2017.3.1
 CHECKED: DATE: 2017.3.1
 C.W

TITLE: SIM CARD PUSH (6+2PIN)
 包装图

SIZE: A4

REV: A UNIT mm SCALE 1=1 QUALITY SYMBOLS

Website: www.bsc-elec.com
 Email: bestcreate@bsc-elec.com

APPROVED: DATE: 2017.3.1
 C.W

MATERIAL: PART NO: MSIM-08XX5R-005
 DWG NO: MSIM-08XX5R-005 SHEET: 2 OF 2