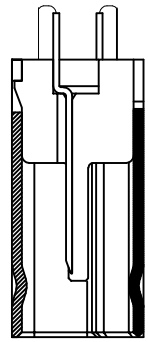
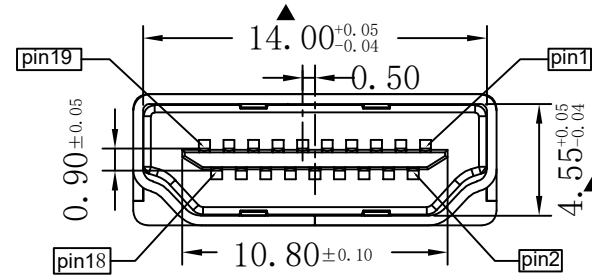
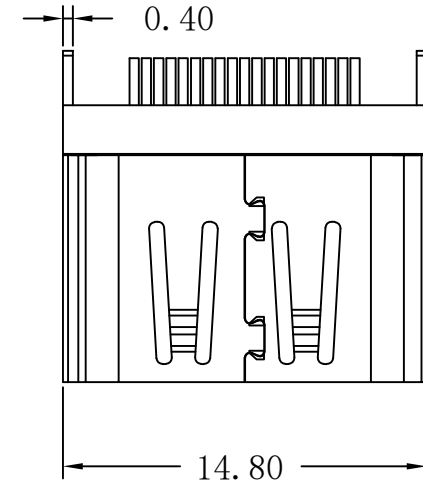
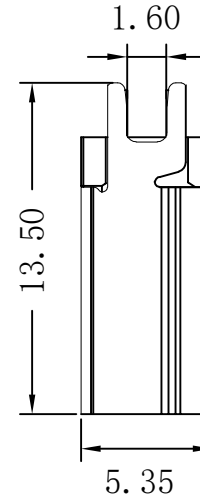
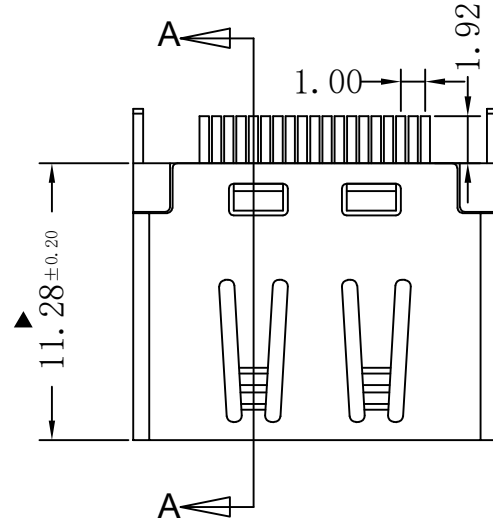


RoHS Compliant

REVISIONS			
REV.	DESCRIPTION	DATE	DESIGN



A-A 剖面图



NOTES:

- 外观不得有缩水、缺胶、毛边、变形等不良。
- 标有“▲”为重点尺寸。
- 材质：壳体:SPCC, 端子: H65, 塑胶主体: LCP。
- 电镀：外壳镀金G/F”, 端子镀金15U”。
- 成品包装方式：散粒PE袋包装。

PART NO. INFORMATION

**HD01-A F X X 5 T - 001**

- PORT TYPE  
A: TYPE A
- GENDER  
F: FEMALE  
M: MALE
- CONTACT PLATED  
1: GOLD FLASH  
2: GOLD 3U”  
3: GOLD 5U”  
4: GOLD 10U”  
5: GOLD 15U”  
6: GOLD 30U”
- PACKAGE  
R: TAPE REEL
- HOUSING COLOR  
2: WHITE  
5: BLACK  
9: NATURE
- HOUSING MATERIAL  
A: LCP B: PBT  
C: PA9T D: PA6T  
E: PA46 F: PA66

**Bestcreate Technology Limited**

TOLERANCES UNLESS OTHERWISE SPECIFIED:			
X.	± 0.15	X.’	± 5’
.X	± 0.10	.X’	± 2’
.XX	± 0.08	.XX’	± 1’
.XXX	± 0.03	.XXX’	± 0.5’

DESIGN: I. L  
DATE: 2017/7/5  
CHECKED: C. W  
DATE: 2017/7/5  
APPROVED: C. W  
DATE: 2017/7/5

TITLE: <b>HDMI 19P A(F) 夹板式</b>		
MATERILA:	PART NO: HD01-AFXX5T-001	SIZE: A4
FINSH:	DWG NO: HD01-AFXX5T-001	

REV: A	UNIT mm	SCALE 1=1	QUALITY SYMBOLS
--------	---------	-----------	-----------------

Website: www.bsc-elec.com  
Email: bestcreate@bsc-elec.com