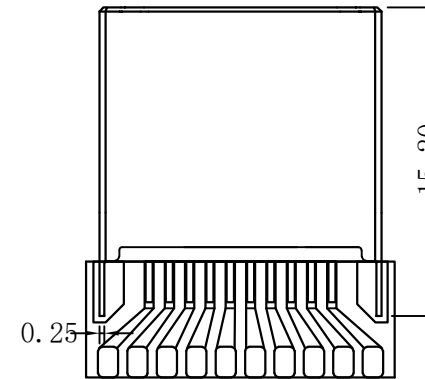
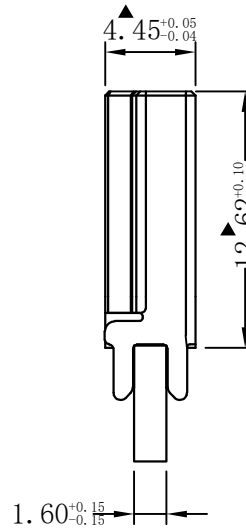
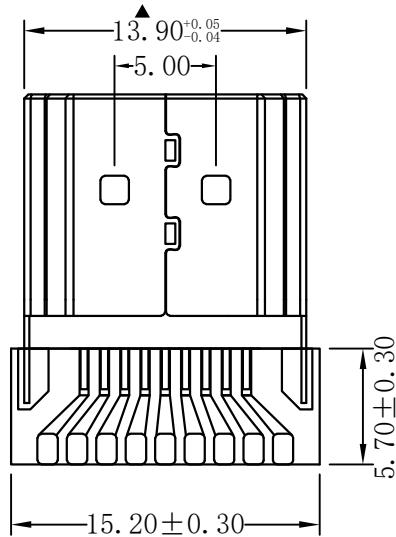
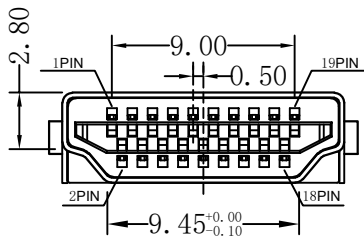


RoHS Compliant

REVISIONS			
REV.	DESCRIPTION	DATE	DESIGN

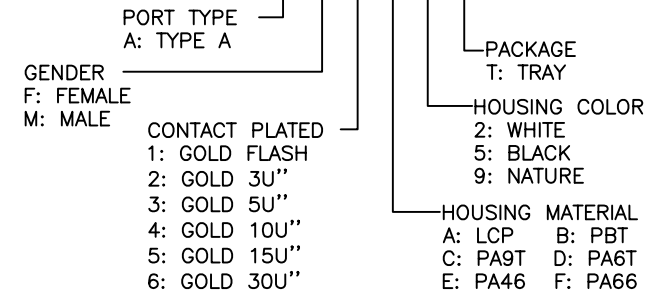


NOTES:

- 外观不得有缩水、缺胶、毛边、变形等不良。
- 标有“▲”为重点尺寸。
- 材质：外壳:SPCC, 端子: C5191, 塑胶主体: LCP。
- 电镀：外壳镀金G/F, 端子镀金G/F。

PART NO. INFORMATION

**HD01-A M X X 5 T - 002 -V2**



**Bestcreate Technology Limited**

TOLERANCES UNLESS OTHERWISE SPECIFIED:

X.	± 0.50	X.*	± 3*
.X	± 0.25	.X*	± 2*
.XX	± 0.15	.XX*	± 1*

Tel/Whatsapp:0086-13712299763  
Skype: belle.wu3340

DESIGN: I. L DATE: 2017. 3. 1

CHECKED: C. W DATE: 2017. 3. 1

APPROVED: C. W DATE: 2017. 3. 1

TITLE: HDMI 19P AM 带板

MATERILA:	PART NO: HD01-AMXX5T-002-V2	SIZE: A4
FINSH:	DWG NO: HD01-AMXX5T-002-V2	

REV: A	UNIT mm	SCALE 1=1	QUALITY SYMBOLS
--------	---------	-----------	-----------------