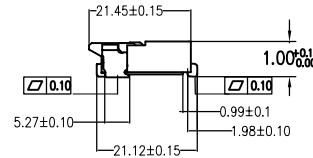
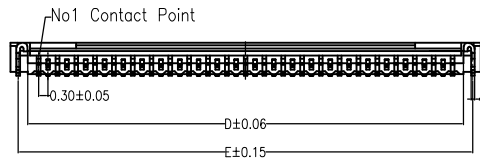
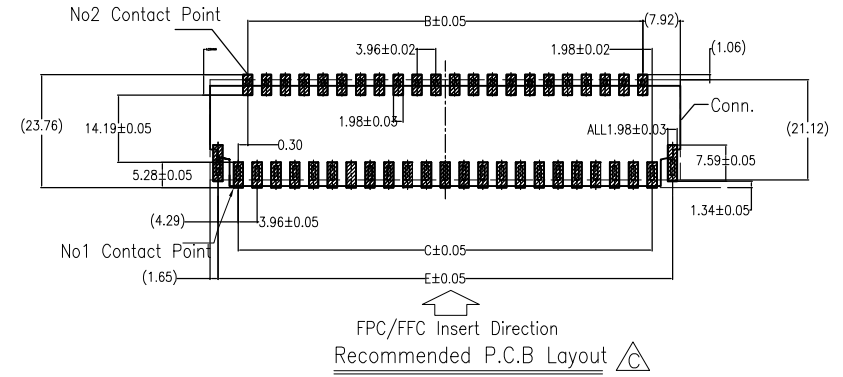
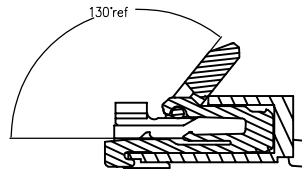
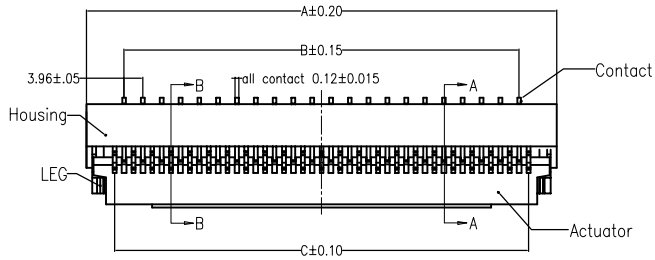


RoHS Compliant

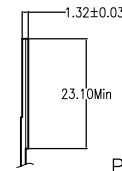
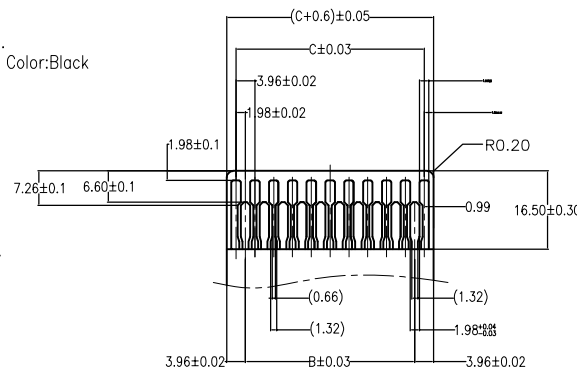
REVISIONS			
REV.	DESCRIPTION	DATE	DESIGN



Number of Contacts	Dimension				
	A	B	C	D	E
11	4.80	2.40	3.00	3.65	4.30
13	5.40	3.00	3.60	4.25	4.90
15	6.00	3.60	4.20	4.85	5.50
17	6.60	4.20	4.80	5.45	6.10
19	7.20	4.80	5.40	6.05	6.70
21	7.80	5.40	6.00	6.65	7.30
23	8.40	6.00	6.60	7.25	7.90
25	9.00	6.60	7.20	7.85	8.50
27	9.60	7.20	7.80	8.45	9.10
29	10.20	7.80	8.40	9.05	9.70
31	10.80	8.40	9.00	9.65	10.30
33	11.40	9.00	9.60	10.25	10.90
35	12.00	9.60	10.20	10.85	11.50
37	12.60	10.20	10.80	11.45	12.10
39	13.20	10.80	11.40	12.05	12.70
41	13.80	11.40	12.00	12.65	13.30
45	15.00	12.60	13.20	13.85	14.50
49	16.20	13.80	14.40	15.05	15.70
51	16.80	14.40	15.00	15.65	16.30

Note:

1. Material
 - 1.1: Housing: LCP UL94-V0 Color:Natural.
 - 1.2: Actuator: High Temperature UL94-V0 Color:Black
 - 1.3: Contact: Phosphor Bronze.
 - 1.4: LEG: Phosphor Bronze.
2. Plating
 - 2.1: Contact: See Part Number.
 - 2.2: LEG: Matte Tin Plating Over Nickel.
3. Rating:
 - 3.1: Operating Voltage: 30V AC/DC.
 - 3.2: Current Rating: 0.2A AC/DC.
 - 3.3: Operating Temperature:-55°C~+85°C.



PART NO. INFORMATION **FPC03-XX G 1 X - B001**

NO. OF CONTACTS
 PLATING
 O: TIN
 G: GOLD FLASH
 PACKAGE
 T:TUBE
 R:TAPE&REEL
 1:ROHS
 2: HALOGEN FREE

Bestcreate Technology Limited

TOLERANCES UNLESS OTHERWISE SPECIFIED:

.X	± 0.50	.X'	± 2'
.XX	± 0.20	.X''	± 1'
.XXX	± 0.05	.XX'	± 0.5'

Website:www.bsc-elec.com
 Email:bestcreate@bsc-elec.com

DESIGN: I. L DATE: 2017. 3. 1

CHECKED: C. W DATE: 2017. 3. 1

APPROVED: C. W DATE: 2017. 3. 1

TITLE: **0. 3MM FPC CONNECTOR, H: 1. 0MM**

MATERILA: FINISH: PART NO: FPC03-XXG1X-B001 SIZE: A4

DWG NO: FPC03-XXG1X-B001 1 OF 2

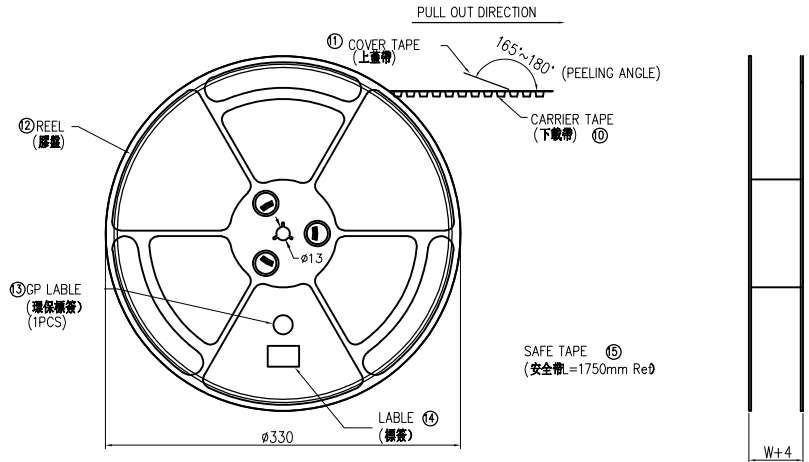
REV:	UNIT	SCALE	QUALITY SYMBOLS
A	mm	1=1	

RoHS Compliant

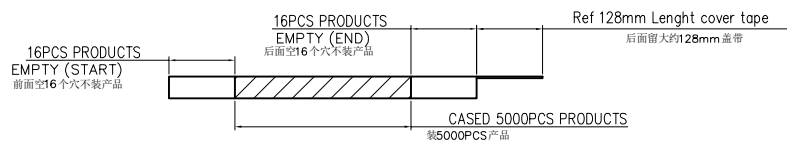
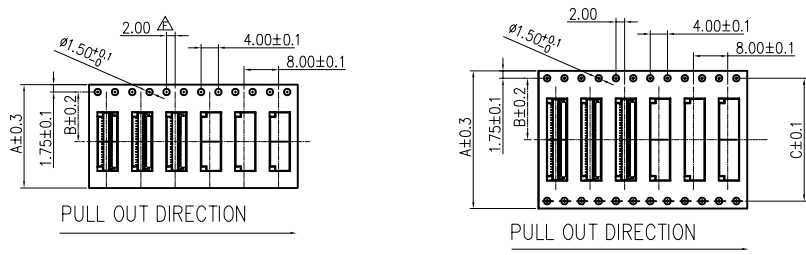
REVISIONS			
REV.	DESCRIPTION	DATE	DESIGN

EMBOSSED TAPE PACKING

0.3mm Pitch FPC Connector, ZIF R/A SMT Type

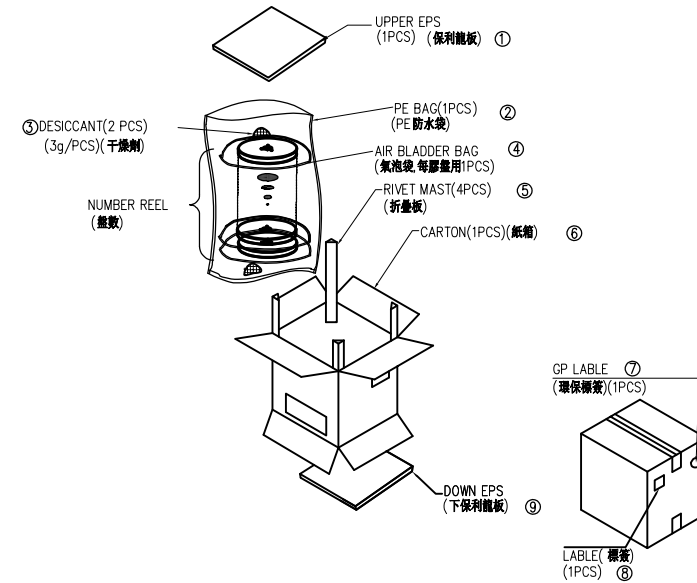


SCALE 1: 4



NOTE:

- 1.10 Sprocket hole pitch cumulative tolerance ± 0.20 .
2. Carrier camber is within 1mm in 100mm.
3. Material: black conductive polystyrene alloy.
4. Material Thickness: 0.3 ± 0.05 mm.
5. All dimensions meet EIA-481-B requirements.
6. 5000pcs Pef Reel.
7. For tape width(dim W)16 and 24mm pilot holes are provided on one sides. For tape width(dim W)32, 44 and 56mm pilot holes are provided on both sides.



PIN NO.	W	A	B	C	PCS /REEL	REEL/CARTON	SUM(PCS)
13PIN~25PIN	20.5	16	7.50	-	5000	13	65000
27PIN~51PIN	28.5	24	11.5	-	5000	10	50000
53PIN~61PIN	36.5	32	14.2	28.4	5000	8	40000
67~73PIN	48.5	44	20.2	40.4	5000	6	30000

Bestcreate Technology Limited

TOLERANCES UNLESS OTHERWISE SPECIFIED:

.X	± 0.50	X'	± 2'
.XX	± 0.20	.X'	± 1'
.XXX	± 0.05	.XX'	± 0.5'

DESIGN:

DATE:

TITLE:

I. L

2017. 3. 1

0. 3MM FPC CONNECTOR, H: 1. 0MM

CHECKED:

DATE:

MATERILA:

PART NO:

SIZE:

C. W

2017. 3. 1

FPC03-XXG1X-B001

A4

APPROVED:

DATE:

FINSH:

DWG NO:

2 OF 2

C. W

2017. 3. 1

FPC03-XXG1X-B001

Website:www.bsc-elec.com

Email:bestcreate@bsc-elec.com

REV:

A

UNIT

mm

SCALE

1=1

QUALITY

SYMBOLS

