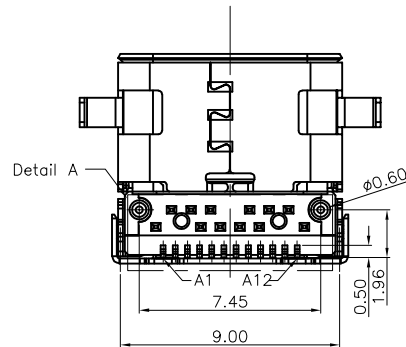
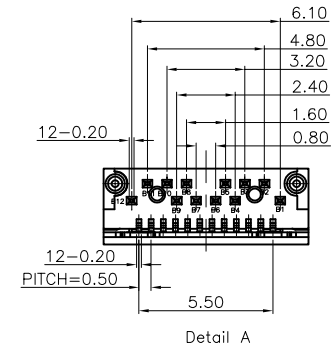
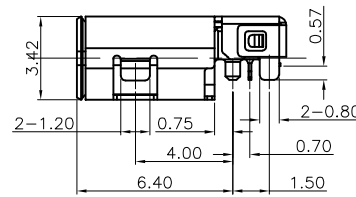
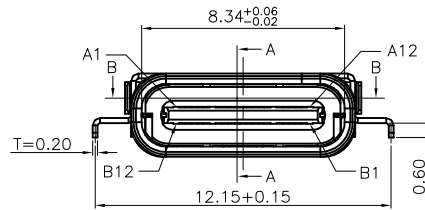
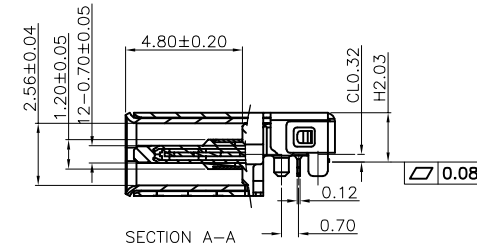
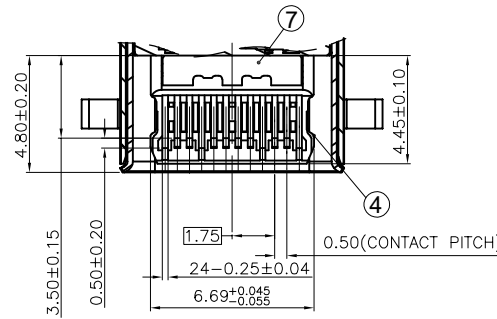
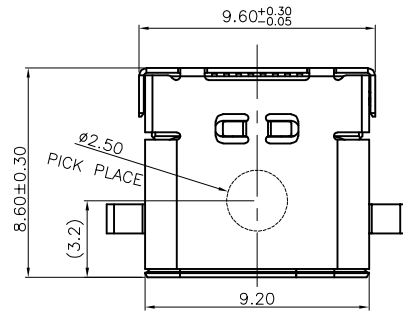


RoHS Compliant

REVISIONS			
REV.	DESCRIPTION	DATE	DESIGN



PART NO. INFORMATION

U06-C F X X 5 R - 075-V3

- PORT TYPE
C: TYPE C
- GENDER
F: FEMALE
M: MALE
- CONTACT PLATED
1: GOLD FLASH
2: GOLD 3U"
3: GOLD 5U"
4: GOLD 10U"
5: GOLD 15U"
6: GOLD 30U"
- PACKAGE
R: TAPE REEL
- HOUSING COLOR
2: WHITE
5: BLACK
9: NATURE
- HOUSING MATERIAL
A: LCP B: PBT
C: PA9T D: PA6T
E: PA46 F: PA66

Bestcreate Technology Limited

TOLERANCES UNLESS OTHERWISE SPECIFIED:

X.	± 0.30	X.'	± 5'
.X	± 0.25	.X'	± 2'
.XX	± 0.10	.XX'	± 1'

Website: www.bsc-elec.com
Email: bestcreate@bsc-elec.com

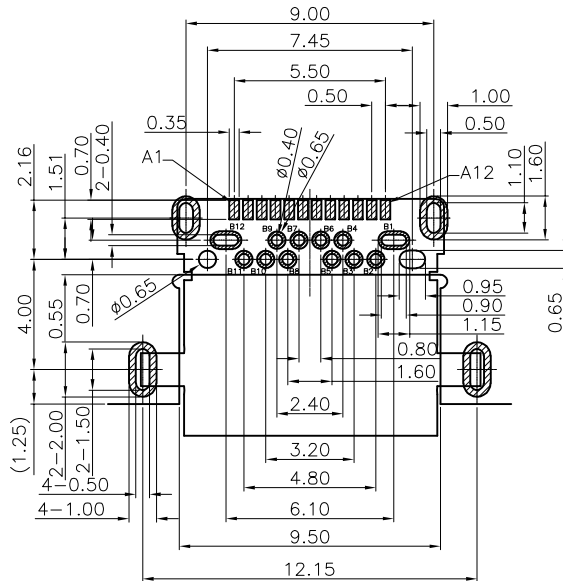
DESIGN: I. L
DATE:
CHECKED: C. W
DATE:
APPROVED: C. W
DATE:

TITLE:
**USB 3.1 C FEMALE CONNECTOR SINGLE SHELL SINK
CLO. 32 L=8.6**
MATERILA:
FINSH:
PART NO:
U06-CFXX5R-075-V3
DWG NO:
U06-CFXX5R-075-V3
SIZE:
A4
1 OF 3

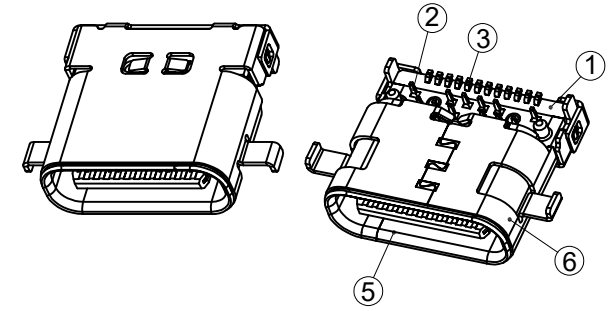
REV: A
UNIT: mm
SCALE: 1=1
QUALITY SYMBOLS

RoHS Compliant

REVISIONS			
REV.	DESCRIPTION	DATE	DESIGN



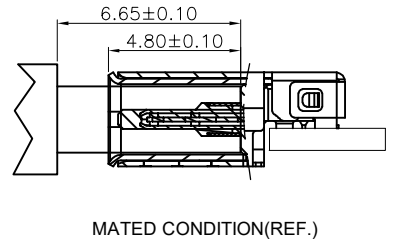
RECOMMENDED P.C.B. LAYOUT
TOLERANCE UNSPECIFIED ±0.05mm
(TOP VIEW)



- NOTE:
- Electrical Characteristics:
 - 1-1: Current Rating: 5A For Pin(A4,A9,B4,B9)
1.25A For Pin(B5)
0.25A For Others Pin
 - 1-2: VOLTAGE RATING:20V
 - 1-3: Insulation Resistance: 100MΩ Min.
 - 1-4: Contact Resistance:
VBUS & GND PINS AND OTHER PINS: 40mΩ/PIN MAX.
SHIELD:50mΩ/MAX.
SHIELD:LLCR MAX. CHANGE OF ALL PINS: 10mΩ.
 - 1-5: Dielectric Withstanding Voltage: 100V/AC 1Minute
 - Mechanical Characteristics:
 - Insertion Force: 5~20N
 - Extraction Force: Initial: 8~20N
 - After durability: 6~20N
 - Durability :10000 Cycles
 - Operating Temperature: -25°C TO +85°C

USB TYPE-C PIN ASSIGNMENTS

PIN NUMBER	SIGNAL NAME	PIN NUMBER	SIGNAL NAME
A1	GND	B12	GND
A2	SSTXp1	B11	SSRXp1
A3	SSTXn1	B10	SSRXn1
A4	VBUS	B9	VBUS
A5	CC1	B8	SBU2
A6	Dp1	B7	Dn2
A7	Dn1	B6	Dp2
A8	SBU1	B5	CC2
A9	VBUS	B4	VBUS
A10	SSRXn2	B3	SSTXn2
A11	SSRXp2	B2	SSTXp2
A12	GND	B1	GND



TYPE:

NO.	DESCRIPTION	MATERIAL	REMARKS	QTY
7	EMC PLATE	SUS301 T=0.10mm	CLEAR ONLY	2PCS
6	OUTER SHELL	SUS304 T=0.20mm	NICKEL 30u" MIN PLATING	2PCS
5	INNER SHELL	SUS304 T=0.20mm	NICKEL 30u" MIN PLATING	1PCS
4	SHIELDING PLATE	SUS301 T=0.15mm	CLEAR ONLY	1PCS
3	SMT CONTACT	C18150-H T=0.12mm	IN 30u" MIN UNDER PLATED OVER ALL Au PLATED ON THE FUNCTIONAL AREA OF CONTACT. PLATING TH OF THE SOLDER AREA	1SET
2	DIP CONTACT	C18150-H T=0.12mm	IN 30u" MIN UNDER PLATED OVER ALL Au PLATED ON THE FUNCTIONAL AREA OF CONTACT. PLATING TH OF THE SOLDER AREA	1SET
1	HOUSING	LCP UL94V-0	BLACK	1PCS
NO.	DESCRIPTION	MATERIAL	REMARKS	QTY

Bestcreate Technology Limited

TOLERANCES UNLESS OTHERWISE SPECIFIED:	
X. ± 0.30	X.* ± 5*
.X ± 0.25	.X.* ± 2*
.XX ± 0.10	.XX.* ± 1*
Website:www.bsc-elec.com	
Email:bestcreate@bsc-elec.com	

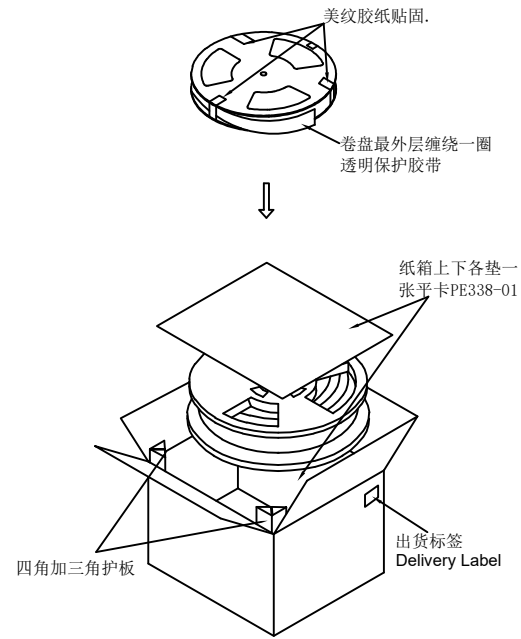
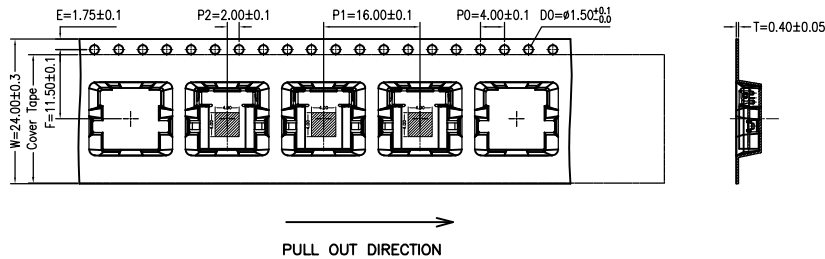
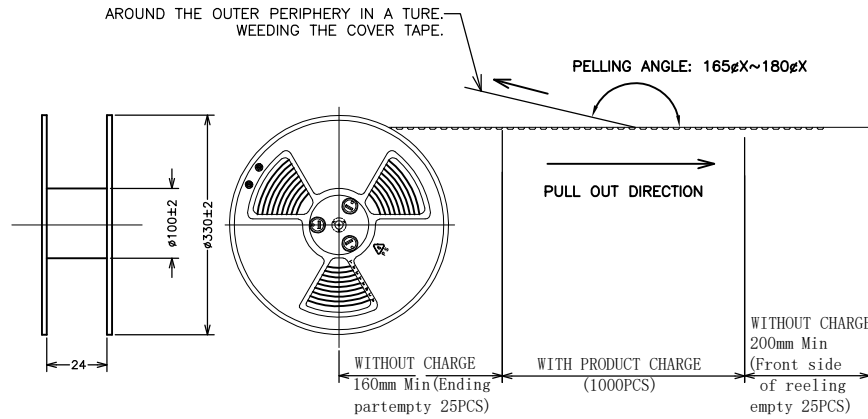
DESIGN: I. L	DATE:
CHECKED: C. W	DATE:
APPROVED: C. W	DATE:

TITLE: USB 3.1 C FEMALE CONNECTOR SINGLE SHELL SINK CLO. 32 L=8.6		
MATERIAL: FINISH:	PART NO: U06-CFXX5R-075-V3	SIZE: A4
DWG NO: U06-CFXX5R-075-V3	2 OF 3	

REV: A	UNIT: mm	SCALE: 1=1	QUALITY SYMBOLS
--------	----------	------------	-----------------

RoHS Compliant

REVISIONS			
REV.	DESCRIPTION	DATE	DESIGN



包装规范说明:

1. 如图所示首先CARRIER TAPE (载带) 需先预留25PCS空格后方可置入成品,并附COVER TPAE(上带)覆盖于上,再配合带装机自动卷绕于REEL(塑胶卷轴)收料.
2. 在定量包装完成后,前端CARRIER TAPE亦需预留25PCS空格,而COVER TPAE配合CARRIER TYPE长度覆盖后,并须再超出200mm以上,最后以胶纸贴固,并于REEL盘上方贴合格标签1张.
3. 注意:COVER TAPE不可浮起或有贴附不顺,歪斜及成品放置方向错误之现象.再按图示贴3处美纹胶.外围缠绕一圈保护带.
4. 在纸箱内左右,前后侧各放入一块三角卡板,在每个纸箱内装入10PCS卷盘,纸箱内上下各垫一张平卡, 盖上箱盖后以胶带封箱,于侧位置贴出货标签一张.
5. 零箱部分, 出货时须用缓冲物填满.

NO.	包材名称 Items	包材料号 Item no	用量 Usage	通用类别 Series	备注 / Remark
①	纸箱 Carton	PE338	1	(空白纸箱 Blank carton)	外尺寸: 350*350*310mm,K=K
②	PE Bag	P120198-01	2		600*600*0.05mm
③	载带 Carrier tape	PE302	/		W=24mm, 16.80m/R透明PET
④	自粘上带 COVER Tape	P120122-01	/	自粘上带	W=21.3MM, 200m/r透明色
⑤	塑胶卷轴 Plastic Reel	P120021-01	10		Ø330mm, W=30mm
⑥	平隔板 Dielectric	P120012-01	4		
⑦	三角卡板/ 平卡	PE338-01	4/2		365*300*5mm/340*340*5mm
⑧	合格标签 Qualified Label		10		
⑨	出货标签 Delivery Label		1		
⑩	保护带 Protect tape	PE284	/		W24*100M/R

Bestcreate Technology Limited

TOLERANCES UNLESS OTHERWISE SPECIFIED:

X.	±	0.30	X.'	±	5'
.X	±	0.25	.X'	±	2'
.XX	±	0.10	.XX'	±	1'

DESIGN: I. L DATE:

CHECKED: C. W DATE:

APPROVED: C. W DATE:

TITLE:
USB 3.1 C FEMALE CONNECTOR SINGLE SHELL SINK
CL0.32 L=8.6

MATERIAL:	PART NO: U06-CFXX5R-075-V3	SIZE: A4
FINISH:	DWG NO: U06-CFXX5R-075-V3	3 OF 3

REV: A UNIT mm SCALE 1=1 QUALITY SYMBOLS

Website:www.bsc-elec.com
Email:bestcreate@bsc-elec.com