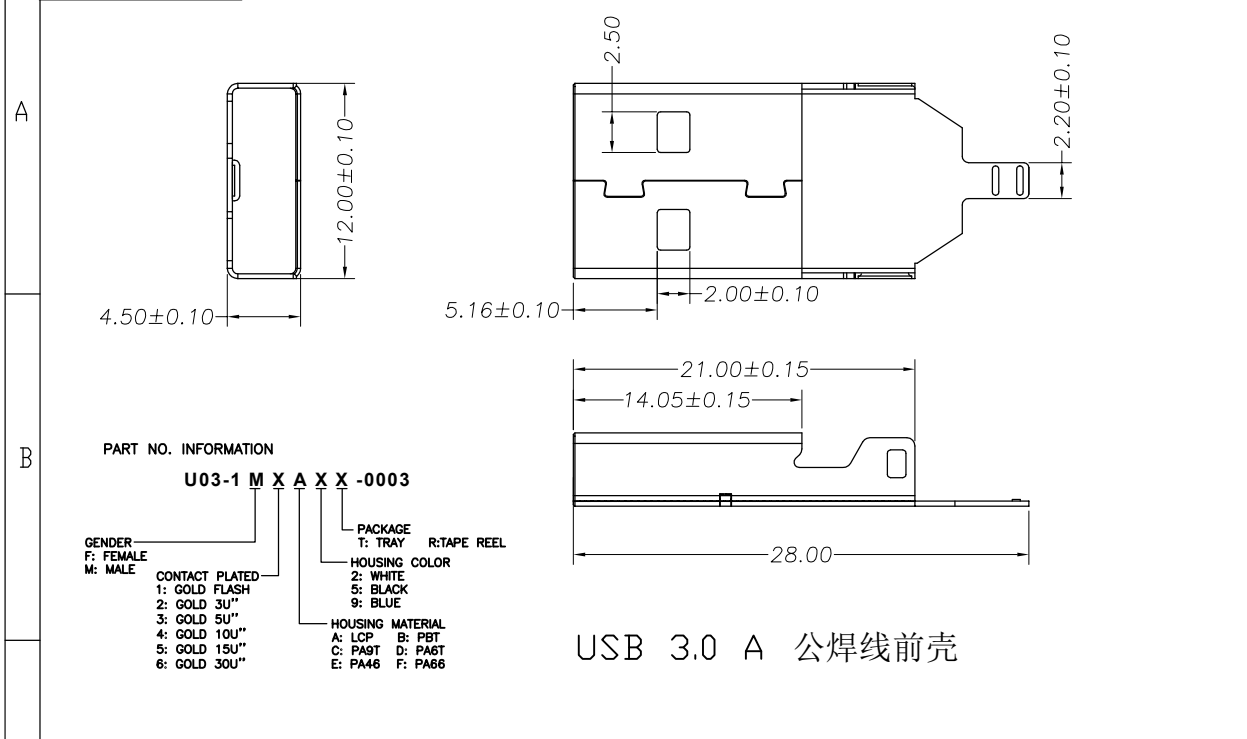
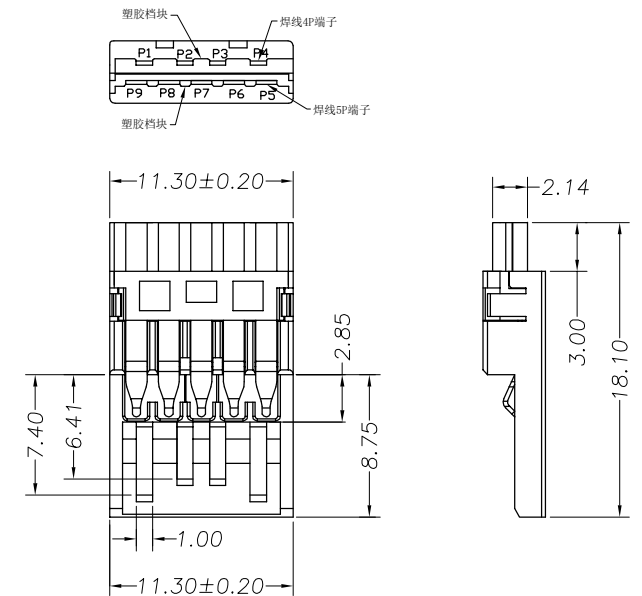


RoHS Compliant

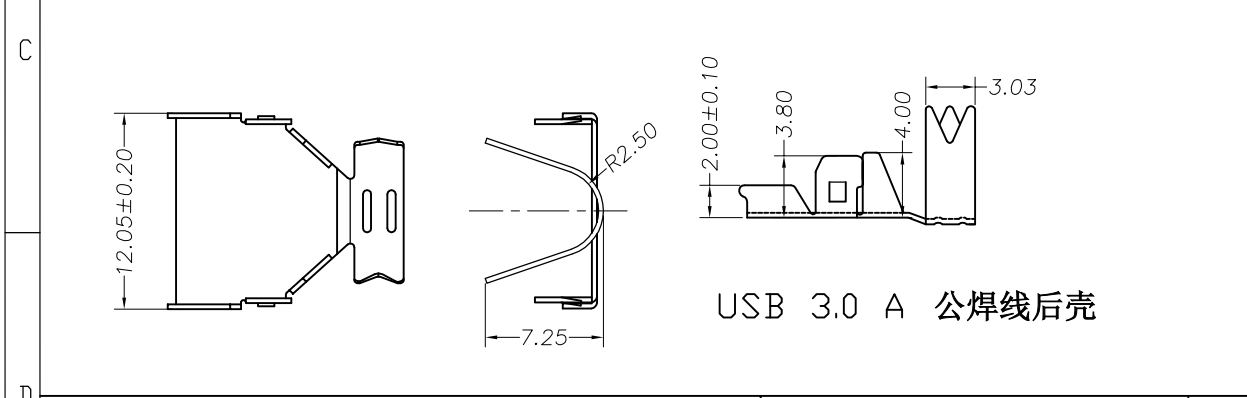
REVISIONS			
REV.	DESCRIPTION	DATE	DESIGN



USB 3.0 A 公焊线前壳



USB 3.0 A 公焊线主体



USB 3.0 A 公焊线后壳

**NOTE:**  
**1.Material:**  
 Housing:PBT 4830 UL94V-0 Color:Blue  
 Terminal:C2680R(5P) T=0.25mm,C2680R(4P)T=0.25mm  
 Contact Area Plating Au 1u",15u",30u"  
 Shell:SPCC T=0.3mm Plating Ni 80-120u"  
**2.Electrical Characteristics:**  
 Current Rating1.8 Amp  
 Insulation Resistance:100MΩ Min  
 Contact Resistance:50mΩ Max  
 Dielectric Withstanding Voltage:100V AC Min  
**3.Mechanical Characteristics:**  
 Mating Force: 3.57kgf Max  
 Unmating Force: 1.02kgf Min  
**4.Environmental:**  
 Operating Temperature: -40°C - +85°C

**Bestcreate Technology Limited**

TOLERANCES UNLESS OTHERWISE SPECIFIED:			
.X	± 0.20	X.*	± 3*
.XX	± 0.15	.X*	± 2*
.XXX	± 0.10	.XX*	± 1*

Website: [www.bsc-elec.com](http://www.bsc-elec.com)  
 E-mail: [bestcreate@bsc-elec.com](mailto:bestcreate@bsc-elec.com)

DESIGN:	DATE:
I. L	2017. 3. 1
CHECKED:	DATE:
C. W	2017. 3. 1
APPROVED:	DATE:
C. W	2017. 3. 1

TITLE:		
USB 3.0 A MALE SOLDERING CONNECTOR 5.0 OD		
MATERIAL:	PART NO:	SIZE:
	U03-1MXAXX-0003	A4
FINISH:	DWG NO:	SHEET:
	U03-1MXAXX-0003	1 OF 1

REV:	UNIT	SCALE	QUALITY SYMBOLS
A	mm	1=1	