

RoHS Compliant

# 1.0mm PITCH FPC CONNECTORS

## REVISIONS

REV.	DESCRIPTION	DATE	DESIGN

A

B

C

D

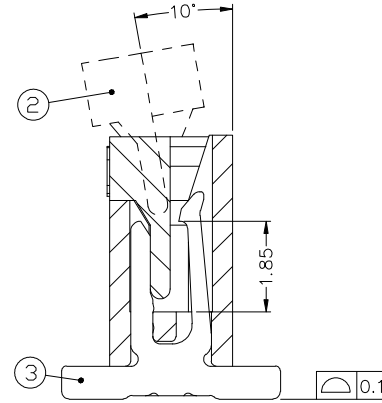
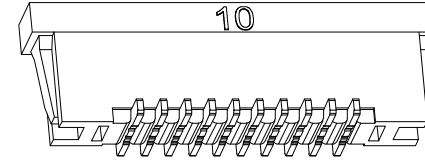
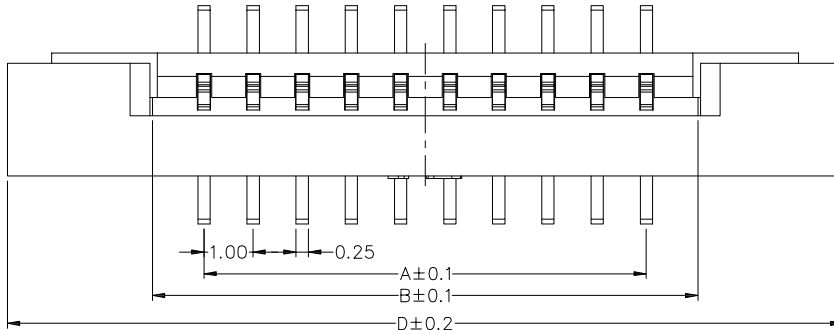
A

B

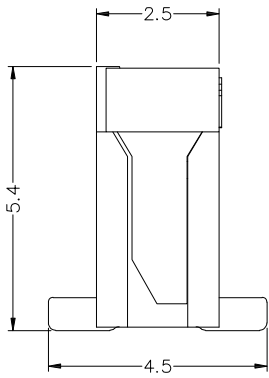
C

D

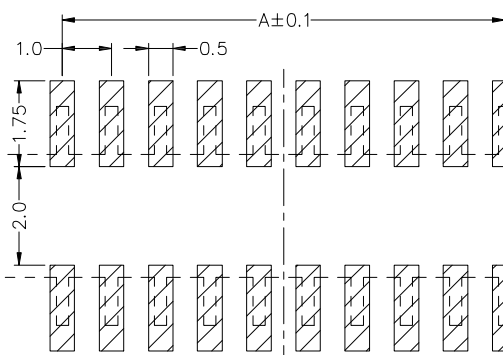
PIN	DIM A	DIM B	DIM C	DIM D	DIM E
4	3.00	5.10	5.00	11.00	9.20
5	4.00	6.10	6.00	12.00	10.20
6	5.00	7.10	7.00	13.00	11.20
7	6.00	8.10	8.00	14.00	12.20
8	7.00	9.10	9.00	15.00	13.20
9	8.00	10.10	10.00	16.00	14.20
10	9.00	11.10	11.00	17.00	15.20
11	10.00	12.10	12.00	18.00	16.20
12	11.00	13.10	13.00	19.00	17.20
13	12.00	14.10	14.00	20.00	18.20
14	13.00	15.10	15.00	21.00	19.20
15	14.00	16.10	16.00	22.00	20.20
16	15.00	17.10	17.00	23.00	21.20
17	16.00	18.10	18.00	24.00	22.20
18	17.00	19.10	19.00	25.00	23.20
19	18.00	20.10	20.00	26.00	24.20
20	19.00	21.10	21.00	27.00	25.20
21	20.00	22.10	22.00	28.00	26.20
22	21.00	23.10	23.00	29.00	27.20
23	22.00	24.10	24.00	30.00	28.20
24	23.00	25.10	25.00	31.00	29.20
25	24.00	26.10	26.00	32.00	30.20
26	25.00	27.10	27.00	33.00	31.20
27	26.00	28.10	28.00	34.00	32.20
28	27.00	29.10	29.00	35.00	33.20
29	28.00	30.10	30.00	36.00	34.20
30	29.00	31.10	31.00	37.00	35.20
31	30.00	32.10	32.00	38.00	36.20
32	31.00	33.10	33.00	39.00	37.20
33	32.00	34.10	34.00	40.00	38.20
34	33.00	35.10	35.00	41.00	39.20
35	34.00	36.10	36.00	42.00	40.20
36	35.00	37.10	37.00	43.00	41.20



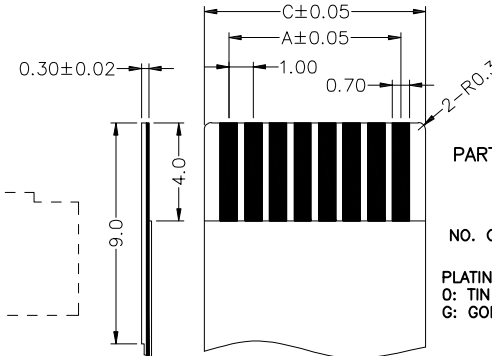
SECTION A-A



Electrical  
 rated current:0.5A AC(rms)/DC  
 nominal voltage:50V AC(rms)/DC  
 Dielectric Withstanding Voltage:500V AC/rms  
 Contact Resistance:≤20mΩ max(initial)  
 Insulation Resistance:800 MΩ min  
 Operating Temp:-20°C~+85°C



PC BOARD LAYOUT



PROPER CABLE (SCALE 2:1)

### PART NO. INFORMATION

**FPC10-XX 0 1 X -B006**

NO. OF CONTACTS: XX  
 PLATING: 0: TIN, G: GOLD FLASH  
 PACKAGE: T:TUBE, R:TAPE&REEL  
 1:ROHS, 2: HALOGEN FREE

③	TERMINAL	PHOSPHOR BRONZE	PDR-10-S007
②	LATCH	LCP(BLACK)UL94V-0	14B-NA
①	HOUSING	LCP(NATURAL)UL94V-0	14B-NY
SERIAL NUMBER	NAMER	MATERIALS	PART NUMBER

# Bestcreate Technology Limited

TOLERANCES UNLESS OTHERWISE SPECIFIED:

.X	± 0.50	X.*	± 2'
.XX	± 0.20	.X'	± 1'
.XXX	± 0.05	.XX'	± 0.5'

Website:www.bsc-elec.com  
 Email:bestcreate@bsc-elec.com

DESIGN: I.L DATE: 2017. 3. 1

CHECKED: C.W DATE: 2017. 3. 1

APPROVED: C.W DATE: 2017. 3. 1

TITLE: **1.0mm FPC VERTICAL SMT**

MATERIAL: PART NO: FPC10-XX01X-B006 SIZE: A4

FINISH: DWG NO: FPC10-XX01X-B006

REV: A UNIT mm SCALE 1=1 QUALITY SYMBOLS

1

2

3

4

5

6

7

8