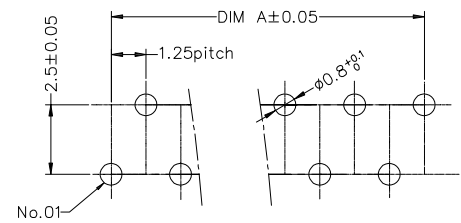
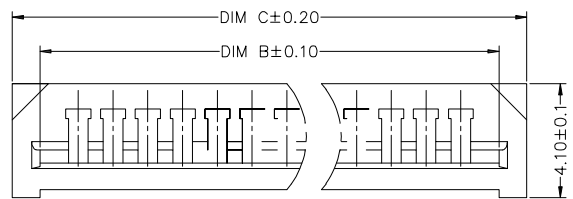
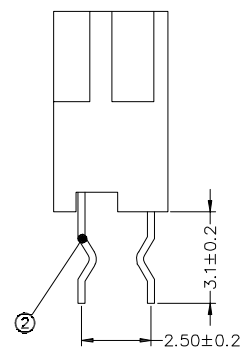
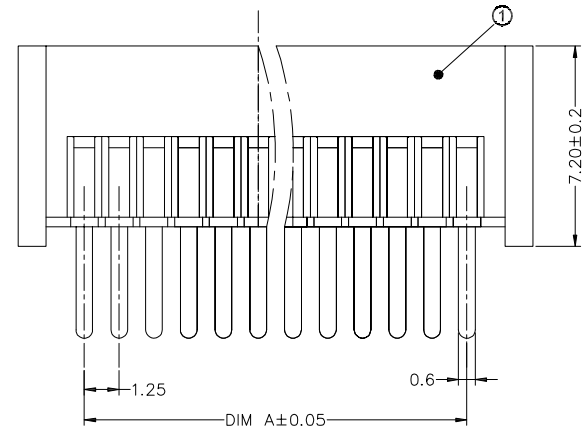


RoHS Compliant

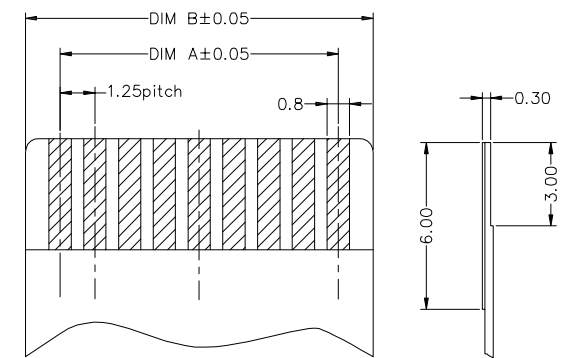
REVISIONS			
REV.	DESCRIPTION	DATE	DESIGN

PIN	DIM A	DIM B	DIM C
4	3.75	6.25	8.50
5	5.00	7.50	9.75
6	6.25	8.75	11.00
7	7.50	10.00	12.25
8	8.75	11.25	13.50
9	10.00	12.50	14.75
10	11.25	13.75	16.00
11	12.50	15.00	17.25
12	13.75	16.25	18.50
13	15.00	17.50	19.75
14	16.25	18.75	21.00
15	17.50	20.00	22.25
16	18.75	21.25	23.50
17	20.00	22.50	24.75
18	21.25	23.75	26.00
19	22.50	25.00	27.25
20	23.75	26.25	28.50
21	25.00	27.50	29.75
22	26.25	28.75	31.00
23	27.50	30.00	32.25
24	28.75	31.25	33.50
25	30.00	32.50	34.75
26	31.25	33.75	36.00
27	32.50	35.00	37.25
28	33.75	36.25	38.50
29	35.00	37.50	39.75
30	36.25	38.75	41.00
31	37.50	40.00	42.25
32	38.75	41.25	43.50
33	40.00	42.50	44.75
34	41.25	43.75	46.00
35	42.50	45.00	47.25

额定电流 Current rating : 1.0A
 额定电压 Voltage rating : 200V
 耐电压 Withstand voltage : 500V AC/minute
 接触电阻 Contact resistance : $\leq 30m\Omega$
 绝缘电阻 Insulation resistance : 500M Ω
 工作温度 Working temperature : -40°C~+85°C
 塑胶 Plastic : PA46
 端子 Terminal : Phosphor bronze C5191



PCB 寸法
PCB Layout



适用FFC寸法
Applicable FFC

PART NO. INFORMATION

FPC125-XX 0 1 X - B002

NO. OF CONTACTS ————
 PLATING ————
 O: TIN
 G: GOLD FLASH
 PACKAGE
 T:TUBE
 R:TAPE&REEL
 1:ROHS
 2: HALOGEN FREE

Bestcreate Technology Limited

TOLERANCES UNLESS OTHERWISE SPECIFIED:					
X.	±	0.25	X'	±	2'
.X	±	0.20	.X'	±	1'
.XX	±	0.15	.XX'	±	0.5'

Website: www.bsc-elec.com
 Email: bestcreate@bsc-elec.com

DESIGN:	DATE:
I. L	2017. 3. 1
CHECKED:	DATE:
C. W	2017. 3. 1
APPROVED:	DATE:
C. W	2017. 3. 1

TITLE:		
1.25MM PITCH FPC CONNECTOR A TYPE HORIZONTAL TYPE DIP		
MATERILA:	PART NO:	SIZE:
FINSH:	DWG NO:	A4
	FPC125-XXX1X-B002	
	FPC125-XXX1X-B002	

REV: A	UNIT mm	SCALE 1=1	QUALITY SYMBOLS
--------	---------	-----------	-----------------