

RoHS Compliant

REVISIONS			
REV.	DESCRIPTION	DATE	DESIGN

NOTES:

1.MATERIAL:

- 1.1 HOUSING:THERMOPLASTIC,HIGH TEMP,UL94V-0.COLOR SI WHITE.
- 1.2 ACTUATOR:THERMOPLASTIC,HIGH TEMP,UL94V-0.COLOR SI BLACK.
- 1.3 CONTACT:COPPER ALLOY.
- 1.4 FITTING NAIL:COPPER ALLOY.

2.PLATING:

2.1 CONTACT AREA:

- 50u"MIN.NICKEL ALL OVER.
- A1:GOLD FLASH OVERALL.
- A3:3u"GOLD ON CONTACT AND SOLDER FOR SELECTIVENESS PLATING
- MS:100u"MIN.MATT TIN UNDERPLATING OVERALL.

2.2 FITTING NAIL:

- 50u"MIN.NICKEL UNDERPLATING OVERALL.
- 100u"MIN.MATT TIN UNDERPLATING OVERALL.

3.THE COPLANARITY IS 0.10mm MAX.

4.THE TRUE POSITION IS 0.10mm MAX.

5.REFLOW SOLDER CAPABLE TO 260°C.

6.PART NUMBER

FPC0515-OXXRC-NBXXR

04: 4Pin

50: 50Pin

MS: MATT TIN (LEAD FREE)

A1: GOLD FLASH OVERALL

A3: 3u"GOLD ON CONTACT AND SOLDER

A

B

C

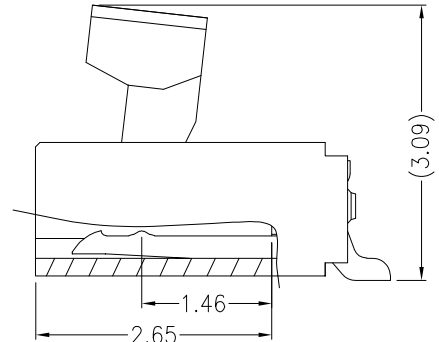
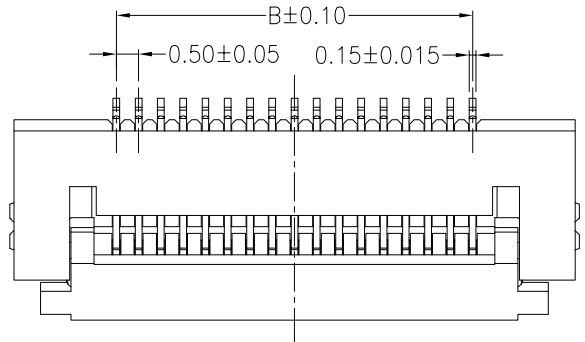
D

A

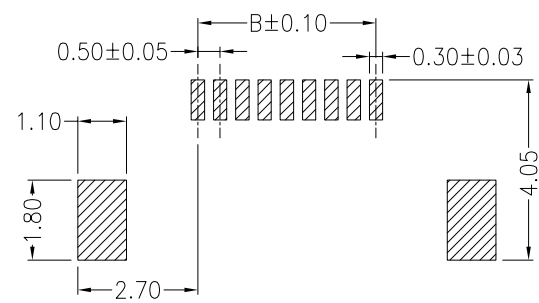
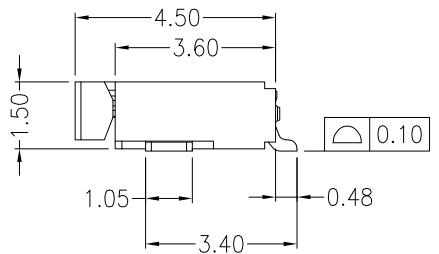
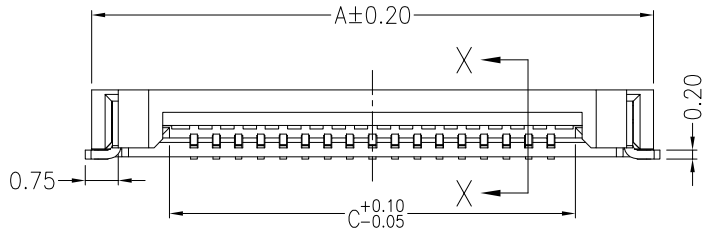
B

C

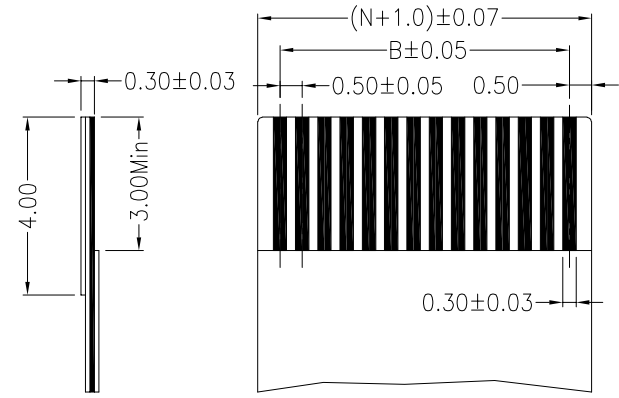
D



Section X-X
Scale 2:1



RECOMMEND PCB LAYOUT
Tolerance: ±0.05



Applicable FPC

CKT	A	B	C	CKT	A	B	C
4	6.10	1.50	2.57	33	20.60	16.00	17.07
5	6.60	2.00	3.07	34	21.10	16.50	17.57
6	7.10	2.50	3.57	35	21.60	17.00	18.07
7	7.60	3.00	4.07	36	22.10	17.50	18.57
8	8.10	3.50	4.57	37	22.60	18.00	19.07
9	8.60	4.00	5.07	38	23.10	18.50	19.57
10	9.10	4.50	5.57	39	23.60	19.00	20.07
11	9.60	5.00	6.07	40	24.10	19.50	20.57
12	10.10	5.50	6.57	41	24.60	20.00	21.07
13	10.60	6.00	7.07	42	25.10	20.50	21.57
14	11.10	6.50	7.57	43	25.60	21.00	22.07
15	11.60	7.00	8.07	44	26.10	21.50	22.57
16	12.10	7.50	8.57	45	26.60	22.00	23.07
17	12.60	8.00	9.07	46	27.10	22.50	23.57
18	13.10	8.50	9.57	47	27.60	23.00	24.07
19	13.60	9.00	10.07	48	28.10	23.50	24.57
20	14.10	9.50	10.57	49	28.60	24.00	25.07
21	14.60	10.00	11.07	50	29.10	24.50	25.57
22	15.10	10.50	11.57	51	29.60	25.00	26.07
23	15.60	11.00	12.07	52	30.10	25.50	26.57
24	16.10	11.50	12.57	53	30.60	26.00	27.07
25	16.60	12.00	13.07	54	31.10	26.50	27.57
26	17.10	12.50	13.57	55	31.60	27.00	28.07
27	17.60	13.00	14.07	56	32.10	27.50	28.57
28	18.10	13.50	14.57	57	32.60	28.00	29.07
29	18.60	14.00	15.07	58	33.10	28.50	29.57
30	19.10	14.50	15.57	59	33.60	29.00	30.07
31	19.60	15.00	16.07	60	34.10	29.50	30.57
32	20.10	15.50	16.57				

Bestcreate Technology Limited

TOLERANCES UNLESS OTHERWISE SPECIFIED:

.X	± 0.25	X.*	± 3'
.XX	± 0.20	.X.*	± 2'
.XXX	± 0.15	.XX.*	± 1'

Website: www.bsc-elec.com
Email: bestcreate@bsc-elec.com

DESIGN: I.L DATE: 2017.3.1

CHECKED: C.W DATE: 2017.3.1

APPROVED: C.W DATE: 2017.3.1

TITLE: **0.5mm ZIF Easy-on FPC**
S/T R/A H=1.5mm

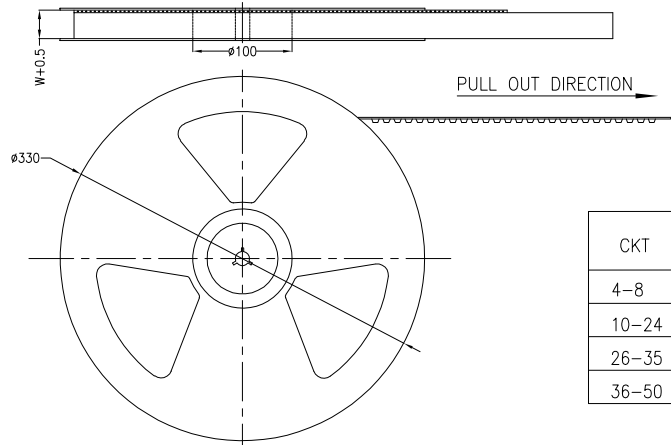
MATERIAL: FPC0515-OXXRC-NBXXR SIZE: A4

FINISH: DWG NO: FPC0515-OXXRC-NBXXR SHEET: 1 of 2

REV: A	UNIT: mm	SCALE: 1=1	QUALITY SYMBOLS
--------	----------	------------	-----------------

RoHS Compliant

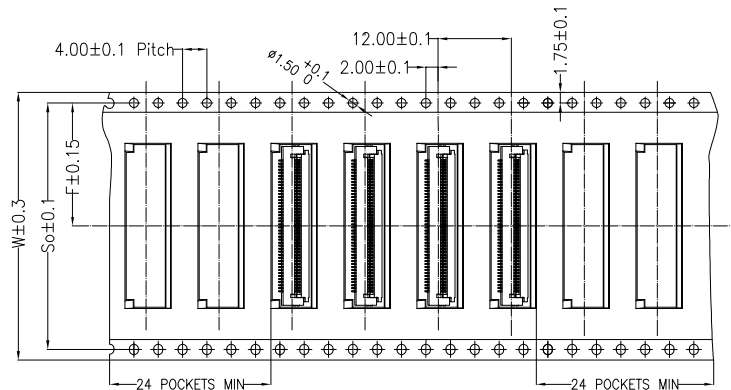
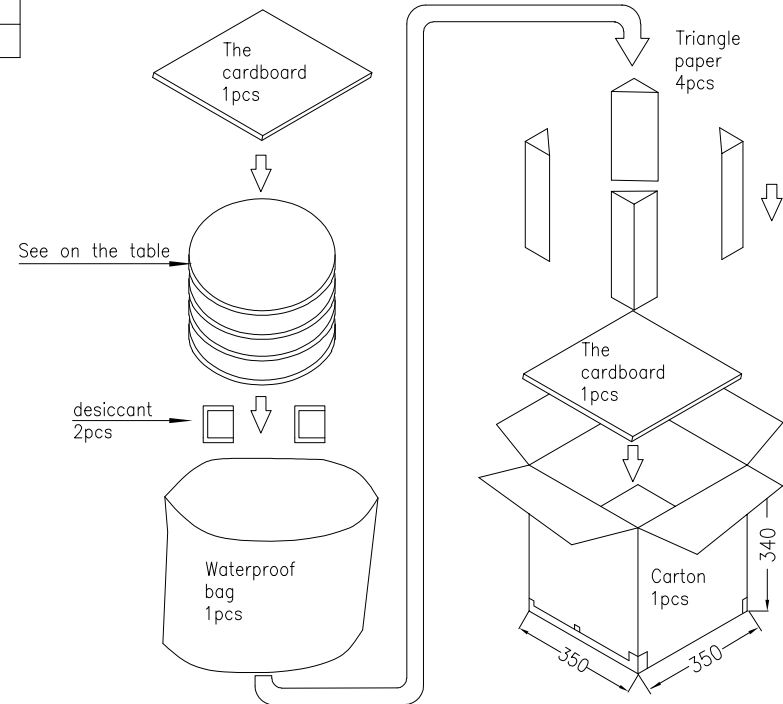
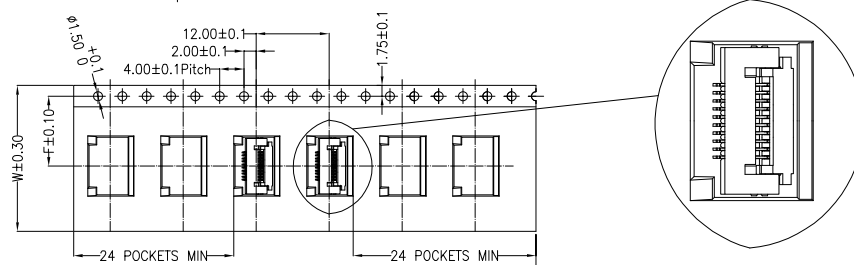
REVISIONS			
REV.	DESCRIPTION	DATE	DESIGN



CKT	SPEC G	DIM. W	DIM. F	DIM. So	rell/carton
4-8	16G	16.0	7.5	—	15
10-24	24G	24.0	11.5	—	10
26-35	32G	32.0	14.2	28.4	8
36-50	44G	44.0	20.2	40.4	6

Note:

- 1.10 sprocket hole pitch cumulative tolerance ± 0.2
2. Carrier camber is within 1 mm in 250mm.
3. Material: Black Conductive Polystyrene Alloy 100% recyclable.
4. All dimensions meet EIA-481-B requirements.
5. Thickness: 0.30 ± 0.05 mm.
6. Component load per 13" reel: 2000 pcs.
7. The following specifications are shown in the table below
8. Carton Size: 350x350x340mm



Bestcreate Technology Limited

TOLERANCES UNLESS OTHERWISE SPECIFIED:

.X	± 0.25	.X'	± 3'
.XX	± 0.20	.X''	± 2'
.XXX	± 0.15	.XXX'	± 1'

Website: www.bsc-elec.com
 Email: bestcreate@bsc-elec.com

DESIGN:	I. L	DATE:	2017. 3. 1
CHECKED:	C. W	DATE:	2017. 3. 1
APPROVED:	C. W	DATE:	2017. 3. 1

TITLE: **0.5mm ZIF Easy-on FPC**
 S/T R/A H=1.5mm

MATERIAL:	PART NO:	SIZE:
FINISH:	DWG NO:	SHEET:
	FPC0515-0XXRC-NBXXR	A4
	FPC0515-0XXRC-NBXXR	2 of 2

REV:	UNIT	SCALE	QUALITY SYMBOLS
A	mm	1=1	