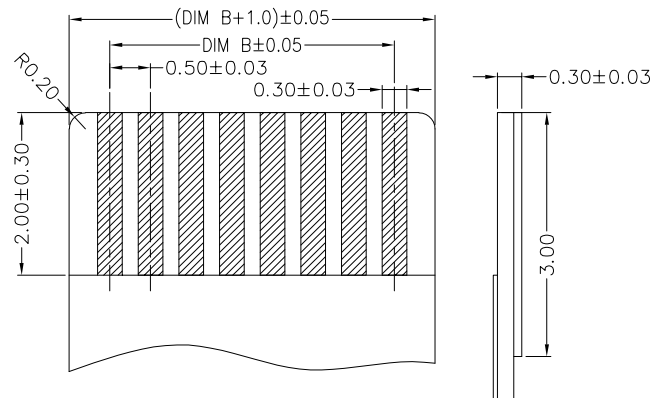
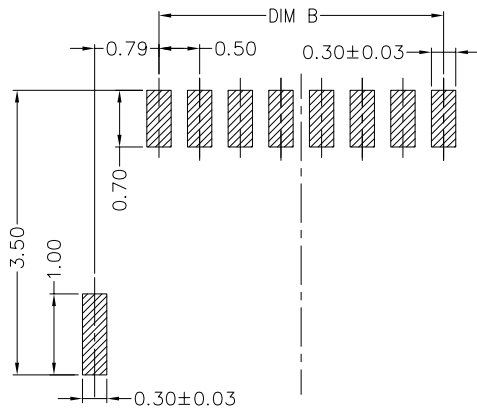
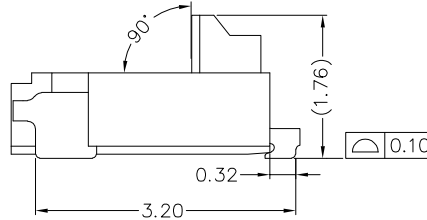
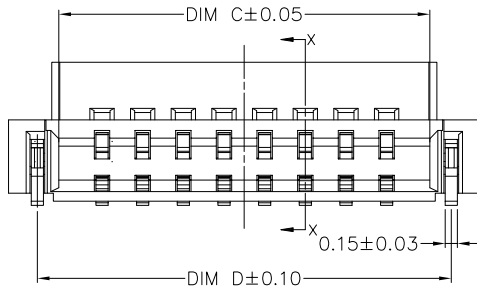
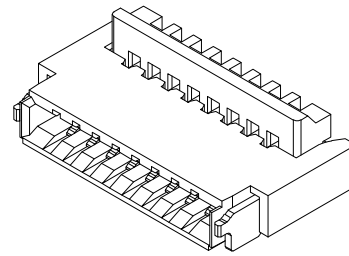
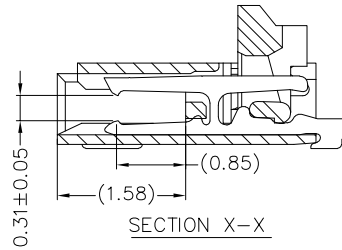
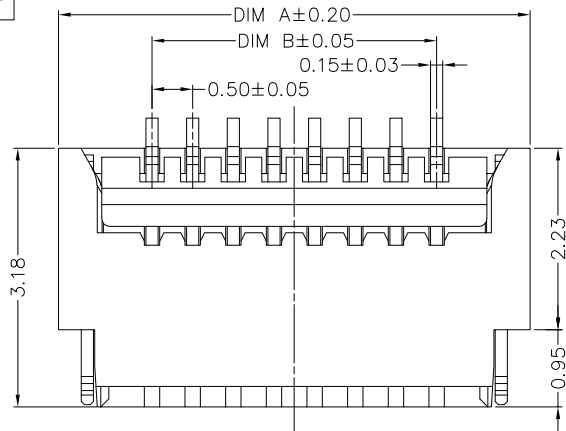


RoHS Compliant



REVISIONS			
REV.	DESCRIPTION	DATE	DESIGN

NOTES:

1.MATERIAL:

- 1.1 HOUSING:THERMOPLASTIC,HIGH TEMP,UL94V-0.COLOR IS NATURAL.
- 1.2 ACTUATOR:THERMOPLASTIC,HIGH TEMP,UL94V-0.COLOR IS BLACK.
- 1.3 CONTACT:COPPER ALLOY.
- 1.4 FITTING NAIL:COPPER ALLOY.

2.FINISH:

- 2.1 CONTACT AREA:
 - 1-3u" GOLD PLATING OF CONTACT AREA
 - 50~100u" NICKEL UNDER PLATING OVER ALL.
- 2.2 SOLDER AREA:
 - 100~200u" MATTE-TIN PLATING ON SOLDER TAILS
 - 50~100u" NICKEL UNDER PLATING OVER ALL.
- 2.3 FITTING NAIL;
 - 50~100u" THE SURFACE OF THE MATTE-TIN PLATING
 - 50~100u" NICKEL UNDER PLATING OVER ALL.

3.PART NUMBER: FPC0510B-XXXRP-NBAMR

04: 4Pin Terminal half
20: 20Pin gold matte tin

POS. No.	DIM. A	DIM. B	DIM. C	DIM. D
2	2.80	0.50	1.56	2.08
3	3.30	1.00	2.06	2.58
4	3.80	1.50	2.56	3.08
5	4.30	2.00	3.06	3.58
6	4.80	2.50	3.56	4.08
7	5.30	3.00	4.06	4.58
8	5.80	3.50	4.56	5.08
9	6.30	4.00	5.06	5.58
10	6.80	4.50	5.56	6.08
11	7.30	5.00	6.06	6.58
12	7.80	5.50	6.56	7.08
13	8.30	6.00	7.06	7.58
14	8.80	6.50	7.56	8.08
15	9.30	7.00	8.06	8.58
16	9.80	7.50	8.56	9.08
17	10.30	8.00	9.06	9.58
18	10.80	8.50	9.56	10.08
19	11.30	9.00	10.06	10.58
20	11.80	9.50	10.56	11.08

Bestcreate Technology Limited

TOLERANCES UNLESS OTHERWISE SPECIFIED:

.X	± 0.25	X.*	± 3'
.XX	± 0.20	.X.*	± 2'
.XXX	± 0.15	.XX.*	± 1'

Website: www.bsc-elec.com
Email: bestcreate@bsc-elec.com

DESIGN: DATE:

I. L. CHECKED: DATE:

C. W. APPROVED: DATE:

2017. 3. 1

TITLE: **0.5 EASY ON FPC CONN.**
SMT R/A D/C/ H:1.0 TYPE

MATERIAL: PART NO: FPC0510B-XXXRP-NBAMR SIZE: A4

FINISH: DWG NO: FPC0510B-XXXRP-NBAMR SHEE: 1 of 2

REV: A UNIT mm SCALE 1=1 QUALITY SYMBOLS

RoHS Compliant

REVISIONS			
REV.	DESCRIPTION	DATE	DESIGN

A

B

C

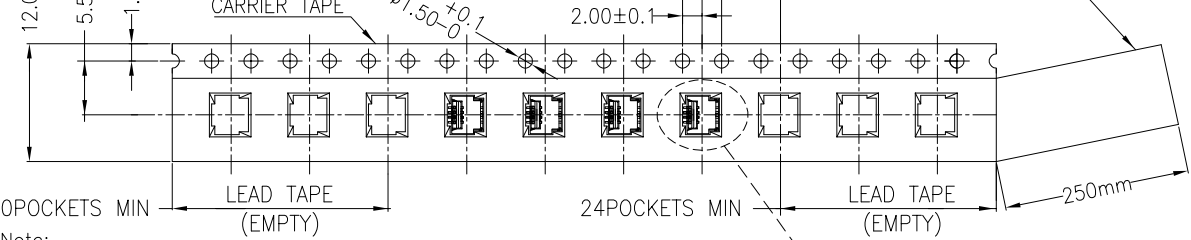
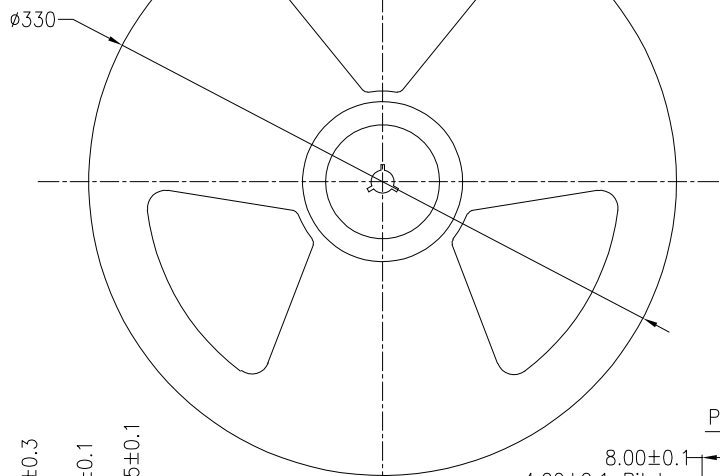
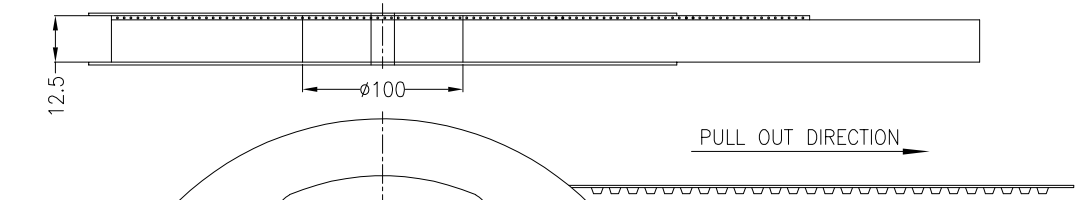
D

A

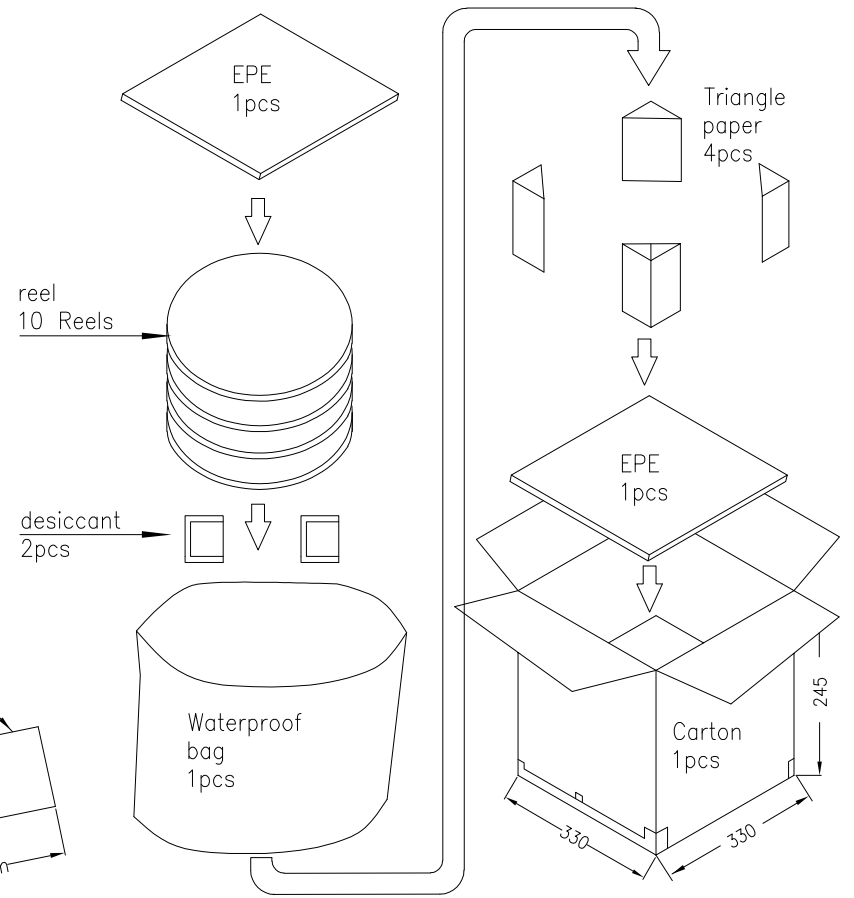
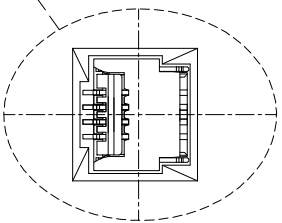
B

C

D



- Note:
- 1.10 sprocket hole pitch cumulative tolerance±0.2
 - 2.Carrier camber is within 1 mm in 250mm.
 - 3.Material:transparent Conductive Polystyrene Alloy 100 % recyclable.
 - 4.All dimensions meet EIA-481-B requirements.
 - 5.Thickness:0.3±0.05mm.
 - 6.Component load per 13"reel:2500 pcs.
 - 7.For tape width 12mm, a pilot hole is provided on one side.
 - 8.Carton Size:330x330x245mm



No. of Contacts	Reels / Carton
4	10/1
5	10/1

Bestcreate Technology Limited

TOLERANCES UNLESS OTHERWISE SPECIFIED:

.X	± 0.25	.X'	± 3"
.XX	± 0.20	.X'	± 2"
.XXX	± 0.15	.XX'	± 1"

Website:www.bsc-elec.com
Email:bestcreate@bsc-elec.com

DESIGN: I. L
CHECKED: C. W
APPROVED: C. W
DATE: 2017. 3. 1
DATE: 2017. 3. 1
DATE: 2017. 3. 1

TITLE: **0.5 EASY ON FPC CONN. SMT R/A D/C/ H:1.0 TYPE**

MATERIAL: FPC0510B-XXXRP-NBAMR
FINISH: FPC0510B-XXXRP-NBAMR

PART NO: FPC0510B-XXXRP-NBAMR
DWG NO: FPC0510B-XXXRP-NBAMR

SIZE: A4
SHEET: 2 of 2

REV: A	UNIT mm	SCALE 1=1	QUALITY SYMBOLS
--------	---------	-----------	-----------------