

RoHS Compliant

| REVISIONS | | | |
|-----------|-------------|------|--------|
| REV. | DESCRIPTION | DATE | DESIGN |
| | | | |

NOTES

MATERIAL

- 1. HOUSING MATERIAL : GLASS FILLED POLYESTER UL94V-0.
- 2. CONTACT MATERIAL : PHOSPHOR BRONZE $\phi 0.46\text{mm}$.
- 3. PLATING : GOLD FLASH PLATING OVER NICKEL.

ELECTRICAL

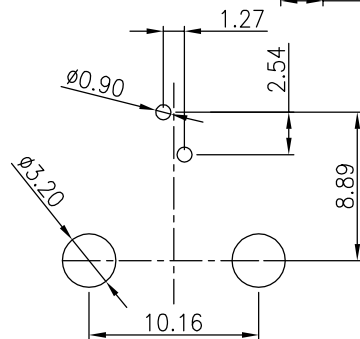
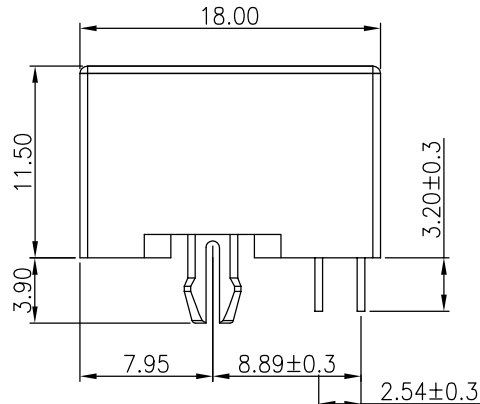
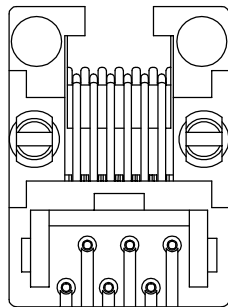
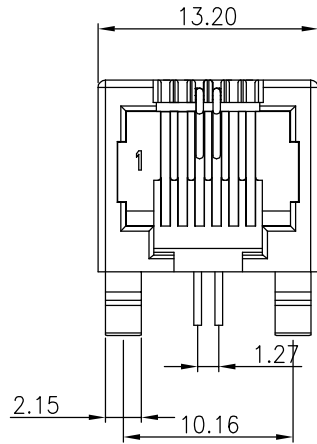
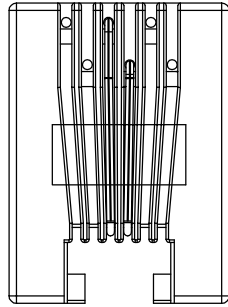
- 1. VOLTAGE RATING : 125 VAC RMS.
- 2. CURRENT RATING : 1.5 AMP.
- 3. CONTACT RESISTANCE : 40 MILLIOHMS MAX.
- 4. INSULATION RESISTANCE : 500 MEGOHMS MIN @ 100V DC .
- 5. DIELECTRIC DIELECTRIC RESISTANCE : 500V DC RMS 50Hz. 1MIN.

MECHANICAL

- 1. DURRABILITY : 750 CYCLES MIN.
- 2. MATING/UNMATING FORCE: 2.24 KG. F MAX.

ENVIRONMENTAL:

- 1. STORAGE : $-40^{\circ}\text{C} \sim +85^{\circ}\text{C}$.
- 2. OPERATION : $-40^{\circ}\text{C} \sim +85^{\circ}\text{C}$.



PCBLAYOUT
TOL:±0.05

PART NO. INFORMATION

RJ01- X 5 1 X - 036

CONTACT PLATED

- 1: G/F
- 2: AU 3U"
- 3: AU 6U"
- 4: AU 15U"
- 5: AU 30U"

- PACKAGE
- R: TAPE REEL
 - T: TRAY

HOUSING:
1:PBT GRAY

Bestcreate Technology Limited

TOLERANCES UNLESS OTHERWISE SPECIFIED:

| | | | |
|------|--------|------|------|
| .X | ± 0.30 | X.* | ± 3* |
| .XX | ± 0.20 | .X* | ± 2* |
| .XXX | ± 0.10 | .XX* | ± 1* |

Website: www.bsc-elec.com
Email: bestcreate@bsc-elec.com

DESIGN: I. L DATE: 2017. 3. 1

CHECKED: C. W DATE: 2017. 3. 1

APPROVED: C. W DATE: 2017. 3. 1

TITLE: RJ11 6P2C FEMALE CONNECTOR DIP TYPE

MATERILA: PART NO: RJ01-X51X-036 SIZE: A4

FINSH: DWG NO: RJ01-X5XX-036

REV: A UNIT mm SCALE 1=1 QUALITY SYMBOLS

1

2

3

4

5

6

7

8