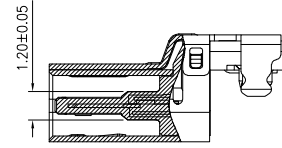
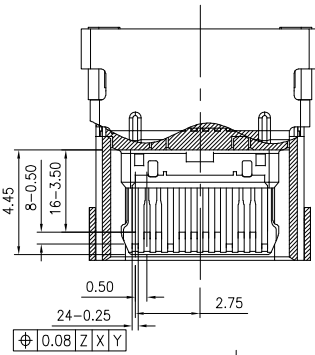
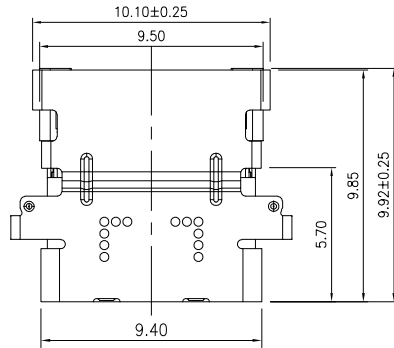


RoHS Compliant

| REVISIONS | | | |
|-----------|-------------|------|--------|
| REV. | DESCRIPTION | DATE | DESIGN |
| | | | |



1.MATERIAL:

MOLDING: LCP UL94 V-0
 CONTACT: COPPER ALLOY.
 GOLD PLATED Min ON CONTACT AREA, 100u"
 Min TIN (LEAD FREE) ON SOLDER AREA,
 SHELL: SUS304-H,T=0.30±0.03mm
 50u" NICKEL PLATING OVER ALL.
 MID PLATE: SUS301-H,T=0.15±0.03mm
 Ni 30u" MIN. UNDER PLATED OVER ALL.
 Sn 80u" MIN. PLATED OVER ALL

2.MECHANICAL:

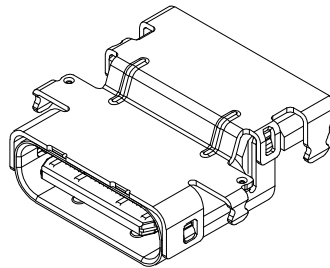
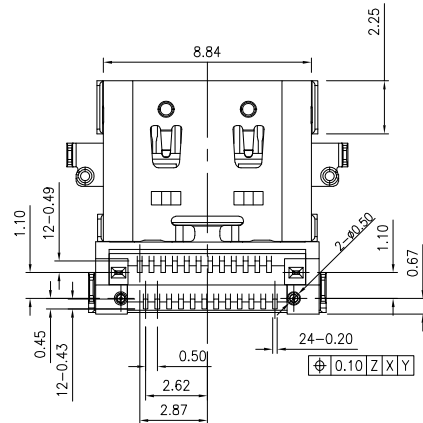
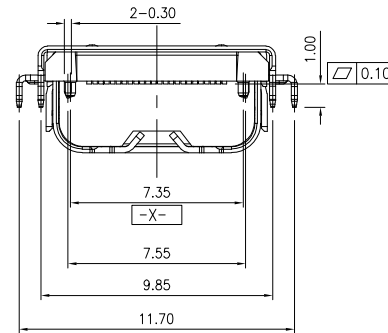
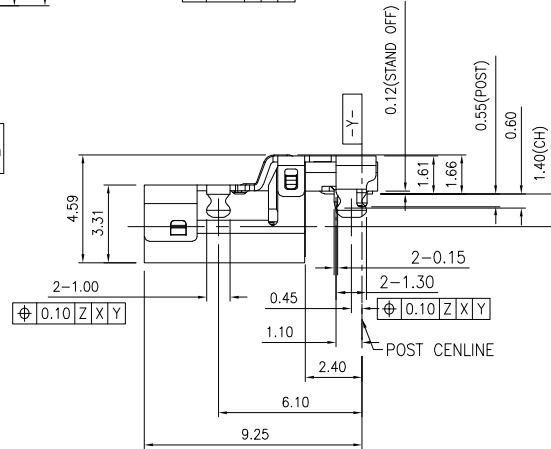
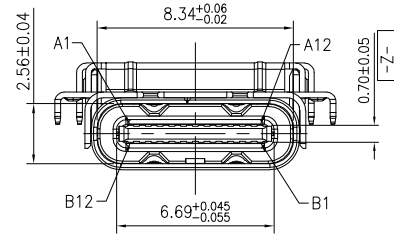
INSERTION: 5~20N.
 EXTRACTION: 8~20N AFTER TEST.
 DURABILITY: 10000 CYCLES

3.ELECTRICAL:

CURRENT: 5A FOR VBUS;
 1.25A FOR GND PIN.
 0.25A FOR OTHER.
 VOLTAGE: 20 V MAX
 WITHSTANDING VOLTAGE: 100V AC R.M.S.
 CONTACT RESISTANCE: 40mΩ MAX.
 INSULATION RESISTANCE: 100MΩ MIN.

4.ENVIRONMENTAL

TEMPERATURE RANGE -25°C ~ +85°C



PART NO. INFORMATION

U06-40 C F X X 5 R - 009

PORT TYPE
 C: TYPE C

GENDER
 F: FEMALE
 M: MALE

CONTACT PLATED
 1: GOLD FLASH
 2: GOLD 3U"
 3: GOLD 5U"
 4: GOLD 10U"
 5: GOLD 15U"
 6: GOLD 30U"

PACKAGE
 R: TAPE REEL

HOUSING COLOR
 2: WHITE
 5: BLACK
 9: NATURE

HOUSING MATERIAL
 A: LCP B: PBT
 C: PA9T D: PA6T
 E: PA46 F: PA66

Bestcreate Technology Limited

TOLERANCES UNLESS OTHERWISE SPECIFIED:

| | | | |
|------|--------|------|------|
| .X | ± 0.30 | .X' | ± 5' |
| .XX | ± 0.20 | .X'' | ± 2' |
| .XXX | ± 0.10 | .XX' | ± 1' |

Website: www.bsc-elec.com

Email: bestcreate@bsc-elec.com

DESIGN:
I.L

DATE:

CHECKED:
C.W

DATE:

APPROVED:
C.W

DATE:

TITLE:

**USB4.0 TYPE C 24P FEMALE CONNECTOR DUAL SMT,
 R/A TYPE, CH=1.4MM**

MATERIAL:

PART NO:
U06-40CFXX5R-009

SIZE:
A4

FINISH:

DWG NO:
U06-40CFXX5R-009

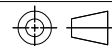
1 OF 3

REV: A

UNIT mm

SCALE 1=1

QUALITY SYMBOLS



1

2

3

4

5

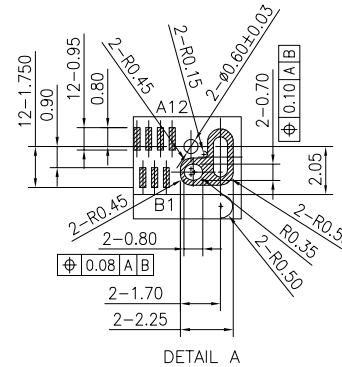
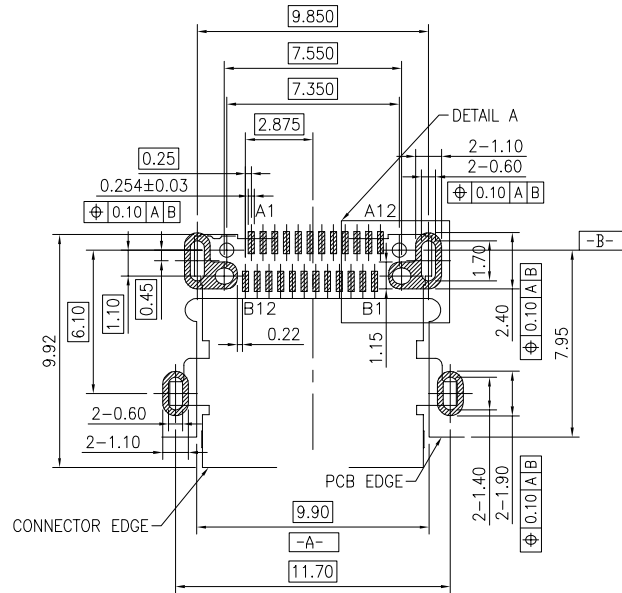
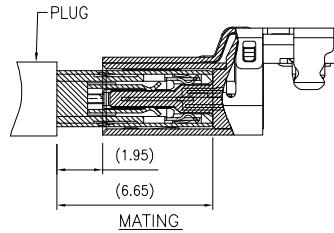
6

7

8

RoHS Compliant

| REVISIONS | | | |
|-----------|-------------|------|--------|
| REV. | DESCRIPTION | DATE | DESIGN |
| | | | |



| Pin | Signal Name | Mating Sequence | Pin | Signal Name | Mating Sequence |
|-----|------------------|-----------------|-----|------------------|-----------------|
| A1 | GND | First | B12 | GND | First |
| A2 | SSTXp1 | Second | B11 | SSRXp1 | Second |
| A3 | SSTXn1 | Second | B10 | SSRXn1 | Second |
| A4 | V _{bus} | First | B9 | V _{bus} | First |
| A5 | CC1 | Second | B8 | SBU2 | Second |
| A6 | Dp1 | Second | B7 | Dn2 | Second |
| A7 | Dn1 | Second | B6 | Dp2 | Second |
| A8 | SBU1 | Second | B5 | CC2 | Second |
| A9 | V _{bus} | First | B4 | V _{bus} | First |
| A10 | SSRXn2 | Second | B3 | SSTXn2 | Second |
| A11 | SSRXp2 | Second | B2 | SSTXp2 | Second |
| A12 | GND | First | B1 | GND | First |

RECOMMEND P.C.B LAYOUT (COMPONENT SIDE)
 TOLERANCE FOR PCB LAYOUT IS ±0.05
 PCB THICKNESS=1.0mm

Bestcreate Technology Limited

TOLERANCES UNLESS OTHERWISE SPECIFIED:

| | | | |
|------|--------|------|------|
| .X | ± 0.30 | X' | ± 5' |
| .XX | ± 0.20 | .X' | ± 2' |
| .XXX | ± 0.10 | .XX' | ± 1' |

DESIGN: I.L DATE:

CHECKED: C.W DATE:

APPROVED: C.W DATE:

TITLE: USB4.0 TYPE C 24P FEMALE CONNECTOR DUAL SMT, R/A TYPE, CH=1.4MM

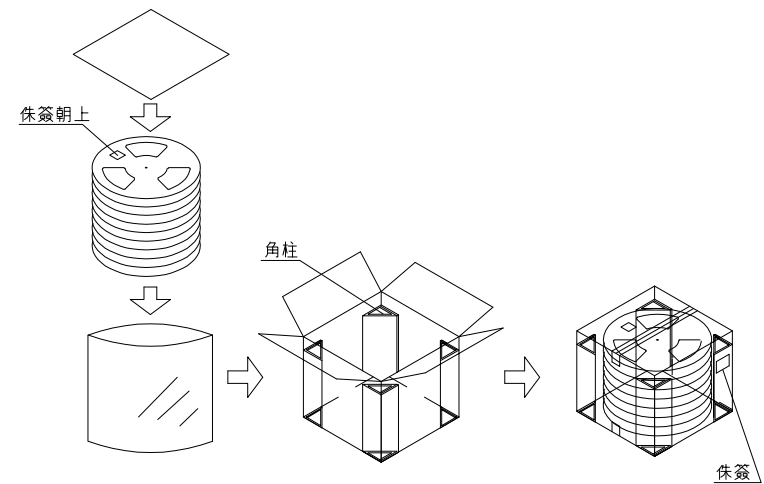
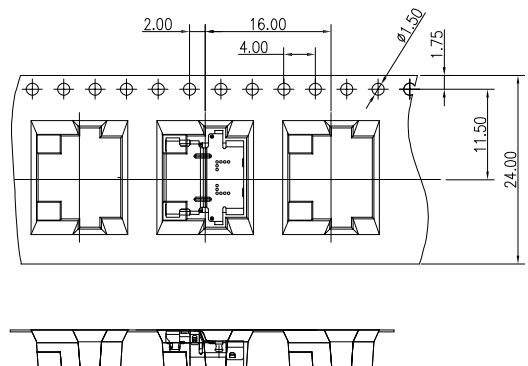
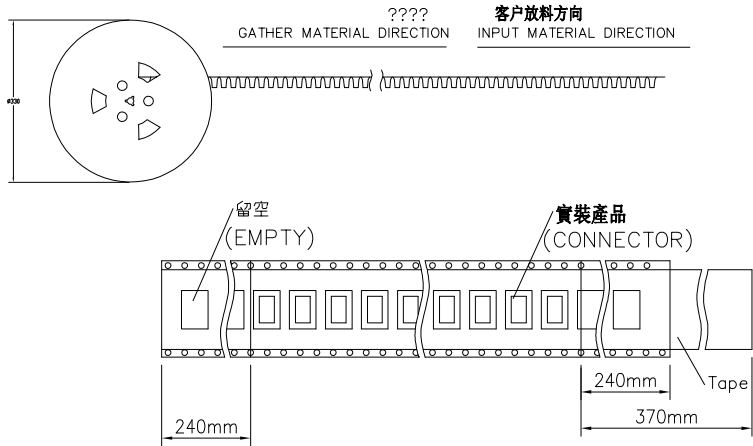
| | | |
|-----------|------------------------------|-------------|
| MATERILA: | PART NO: U06-40CFXX5R-009 | SIZE: A4 |
| FINSH: | DWG NO: U06-40CFXX5R-009 | 2 OF 3 |

| | | | |
|--------|---------|-----------|-----------------|
| REV: A | UNIT mm | SCALE 1=1 | QUALITY SYMBOLS |
|--------|---------|-----------|-----------------|

Website: www.bsc-elec.com
 Email: bestcreate@bsc-elec.com

RoHS Compliant

| REVISIONS | | | |
|-----------|-------------|------|--------|
| REV. | DESCRIPTION | DATE | DESIGN |
| | | | |



- 包裝規範:
1. 外箱底部先墊一片隔板.
 2. 外箱四個內角加入角柱支撐
 3. REEL之標籤一律朝上.
 4. 把10卷封裝好的产品平放進防水袋, 并放入一包干燥劑.
 5. 上層放一片隔板.
 6. 每卷750PCS, 每箱裝10卷, 每箱共計7500PCS.

Bestcreate Technology Limited

| | |
|---|-----------|
| TOLERANCES UNLESS OTHERWISE SPECIFIED: | |
| .X ± 0.30 | X.' ± 5' |
| .XX ± 0.20 | .X' ± 2' |
| .XXX ± 0.10 | .XX' ± 1' |
| Website: www.bsc-elec.com | |
| Email: bestcreate@bsc-elec.com | |

| | |
|---------------|-------|
| DESIGN: I.L | DATE: |
| CHECKED: C.W | DATE: |
| APPROVED: C.W | DATE: |

| | | |
|--|---------------------------|----------|
| TITLE: USB4.0 TYPE C 24P FEMALE CONNECTOR DUAL SMT, R/A TYPE, CH=1.4MM | | |
| MATERILA: | PART NO: U06-40CFXX5R-009 | SIZE: A4 |
| FINSH: | DWG NO: U06-40CFXX5R-009 | 3 OF 3 |

| | | | |
|--------|----------|------------|------------------|
| REV: A | UNIT: mm | SCALE: 1=1 | QUALITY SYMBOLS: |
|--------|----------|------------|------------------|