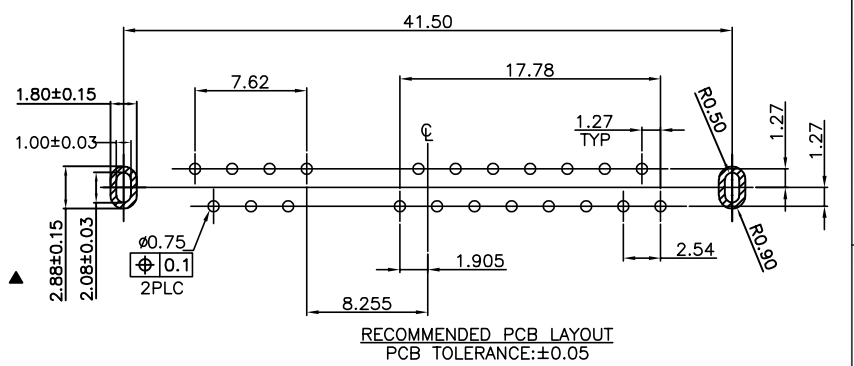
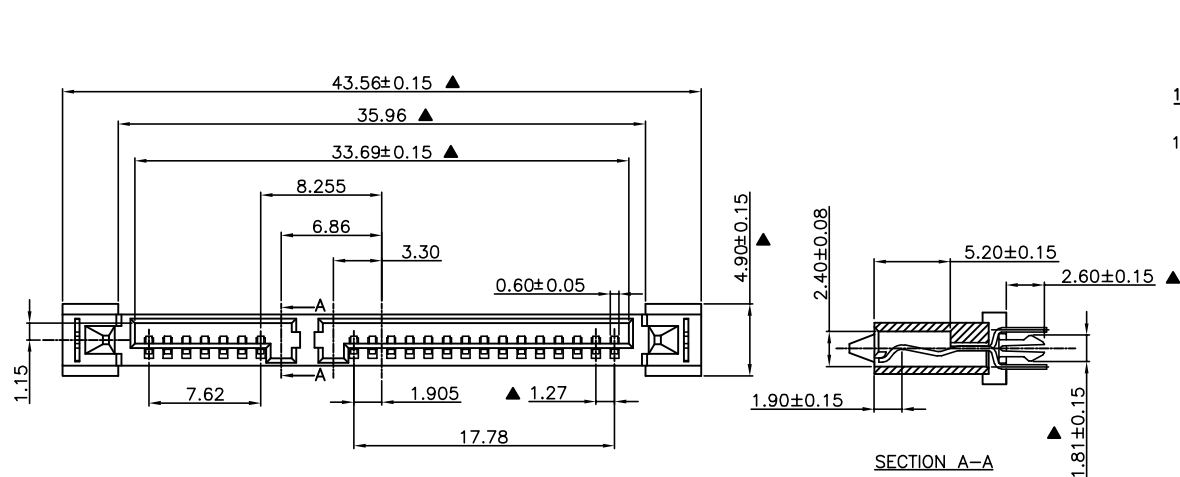


RoHS Compliant

REVISIONS			
REV.	DESCRIPTION	DATE	DESIGN



SPECIFICATION:
 1.MATERIAL:
 HOUSING: LCP LG431-9731L 30% G/F UL 94V-0
 COLOR:BLACK
 CONTACT: PHOSPHOR BRONZE C5191R-H,T=0.30mm
 PEG: BRASS C2680R-H,T=0.30mm
 2.FINISH:
 CONTACT:1u" GOLD/TIN PLATING ON CONTACT AREA
 100u"MIN. TIN PLATING ON SOLDERTAILS
 50u" MIN.NICKEL UNDERPLATING OVER ALL
 PEG:100u" MIN. TIN PLATING ON SOLDERTAILS
 50u" MIN.NICKEL UNDERPLATING OVER ALL
PART NO. INFORMATION

S715 - F X A 5 T -003

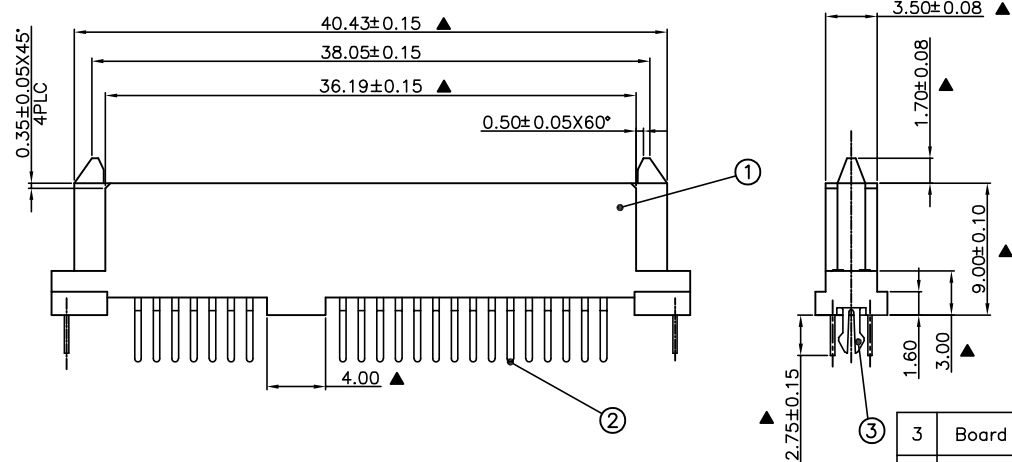
GENDER
 F: FEMALE
 M: MALE

PACKAGE
 T: TRAY
 R:TAPE REEL

CONTACT PLATED
 1: GOLD FLASH/TIN
 2: 15U" GOLD/TIN
 3: 30U" GOLD/TIN

HOUSING COLOR
 5: BLACK

HOUSING MATERIAL
 A: LCP



NO.	DESCRIPTION	MATERIAL	COLOR	REMARK
3	Board lock	Brass C2680		Gold/Ni Plated
2	Terminal	Pho.Bronze C5191R-H		Gold/Tin Plated
1	Housing	High Temp	Black	UL 94V-0

Bestcreate Technology Limited

TOLERANCES UNLESS OTHERWISE SPECIFIED:
 X. ± 0.30 X.* ± 3"
 .X ± 0.20 .X.* ± 2"
 .XX ± 0.15 .XX.* ± 1"

DESIGN: I.L DATE: 2017.3.1
 CHECKED: C.W DATE: 2017.3.1
 APPROVED: C.W DATE: 2017.3.1

TITLE: SATA 7+15P 母座双排脚
 DIP 180°针长2.75

MATERIAL: PART NO: S715-FXA5T-003 SIZE: A4
 FINSH: DWG NO: S715-FXA5T-003 SHEET: 1 OF 1

REV: A UNIT mm SCALE 1=1 QUALITY SYMBOLS

Website: www.bsc-elec.com
 E-mail: bestcreate@bsc-elec.com