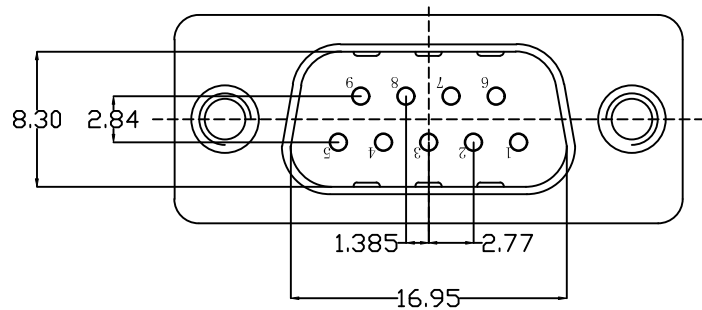
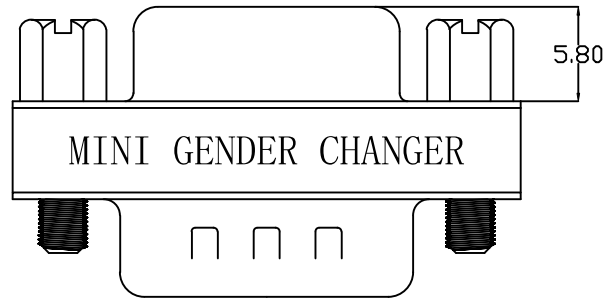
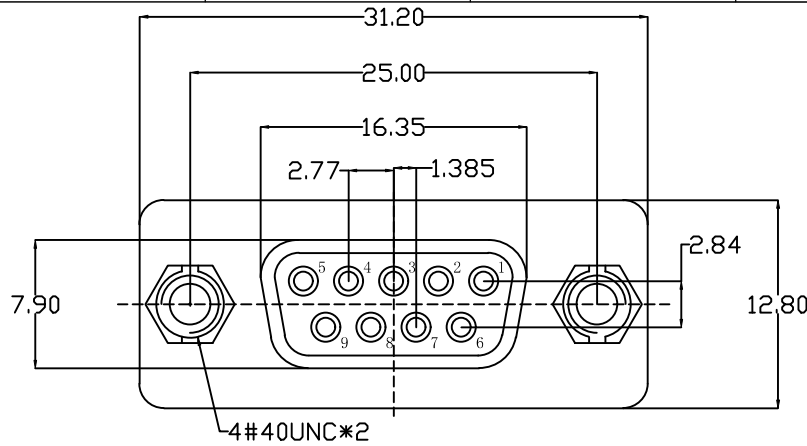


RoHS Compliant

REVISIONS			
REV.	DESCRIPTION	DATE	DESIGN



说明:

1. 特性:

- 额定电压 : 250V AC最大值
- 额定电流 : 最大3A
- 接触阻抗 : 30mΩ MAX.
- 绝缘阻抗 : 3000MΩ MIN. at 500V DC
- 耐电压值 : 250V AC RMS for 1Minute
- 工作温度 : -45℃~+85℃

2. 材料:

- 胶 芯 : PBT rated
- 端 子 : 铜合金, 接触点镀金, 其余部分镀锡
- 外 壳 : SPCC, 镀镍24H
- 螺 丝 : 铁合金, 镀镍

**Bestcreate Technology Limited**

TOLERANCES UNLESS OTHERWISE SPECIFIED:

X.	± 0.50	X'	± 3'
.X	± 0.30	.X'	± 2'
.XX	± 0.20	.XX'	± 1'

Website: [www.bsc-elec.com](http://www.bsc-elec.com)  
Email: [bestcreate@bsc-elec.com](mailto:bestcreate@bsc-elec.com)

DESIGN: I. L. DATE: 2017. 3. 1

CHECKED: C. W. DATE: 2017. 3. 1

APPROVED: C. W. DATE: 2017. 3. 1

TITLE: DB9 FEMALE TO DB9 MALE ADAPTER

MATERILA:	PART NO: DB9FTODB9M-A001	SIZE: A4
FINSH:	DWG NO: DB9FTODB9M-A001	

REV: A	UNIT mm	SCALE 1=1	QUALITY SYMBOLS	
--------	---------	-----------	-----------------	--