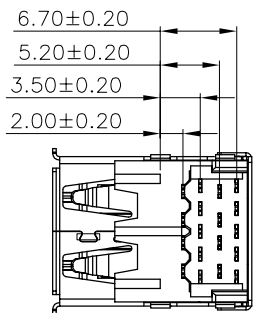
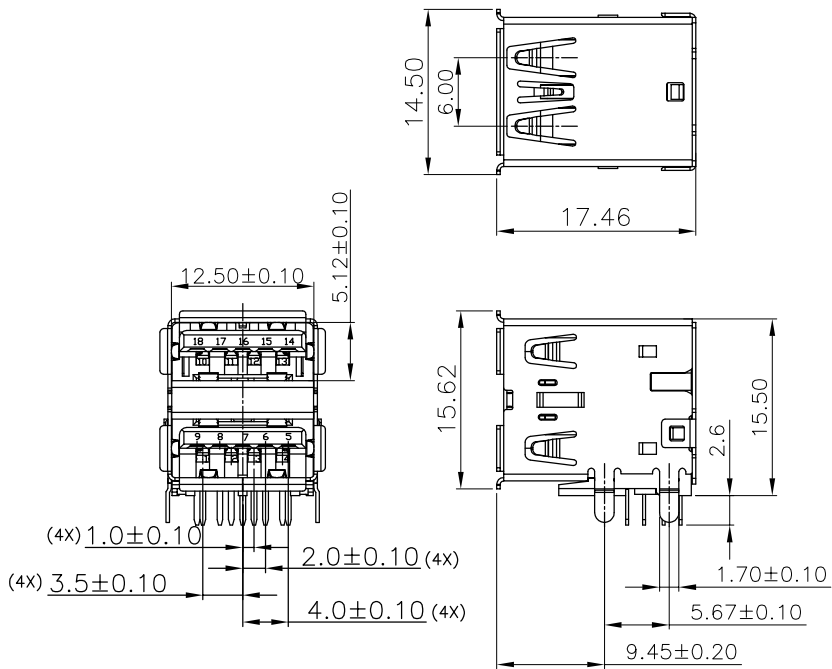
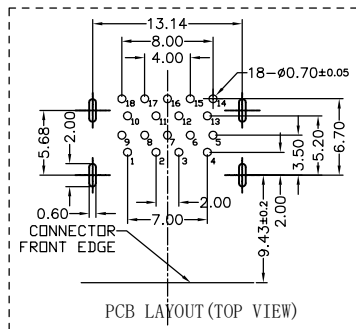


RoHS Compliant

REVISIONS			
REV.	DESCRIPTION	DATE	DESIGN

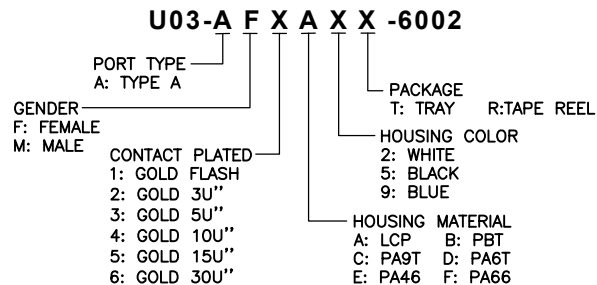
SPECIFICATIONS:

Contact current Rating:
 1.8 Amperes for pin1&pin4.
 0.25 Amperes other contacts
 Dielectric Withstanding Voltage:AC 100V(RMS)
 Insulation resistance:100Megohms Minimum.
 Contact Resistance:
 30m Ω Max for pin1&pin4
 50m Ω Max for other contacts
 Mechanical Characteristics:
 Mating Force:35 Newtons.Maximum
 Unmating Force:10 Newtons.Minimum.
MATERIAL: 8N Min After Durability
 Housing: PBT+30%GF COLOR:BLUE
 Contact: copper alloy(T=0.25mm)
 Shell: Brass
PLATING:
 Contact: Au Plated on contact area
 Tin Plated on solder area
 Nickel underplating over all
 Shell: Nickel Plated
 operating Temperature:-55°to+85°



PIN Number	Signal Name	PIN Number	Signal Name
1/10	VBUS	5/14	SSRX-
2/11	D-	6/15	SSRX+
3/12	D+	7/16	GND
4/13	GND	8/17	SSTX-
Shell	Shield	9/18	SSTX+

PART NO. INFORMATION



Bestcreate Technology Limited

TOLERANCES UNLESS OTHERWISE SPECIFIED:

X.	± 0.50	X.*	± 3°
.X	± 0.30	.X*	± 2°
.XX	± 0.20	.XX*	± 1°

DESIGN: I. L DATE: 2017. 3. 1

CHECKED: C. W DATE: 2017. 3. 1

APPROVED: C. W DATE: 2017. 3. 1

TITLE: USB 3.0 A FEMALE DUAL PORT 90° DIP

MATERILA: PART NO: U03-AFXAXX-6002 SIZE: A4

FINSH: DWG NO: U03-AFXAXX-6002 SHEET: 1 OF 2

REV: A UNIT mm SCALE 1=1 QUALITY SYMBOLS

Website: www.bsc-elec.com E-mail: bestcreate@bsc-elec.com