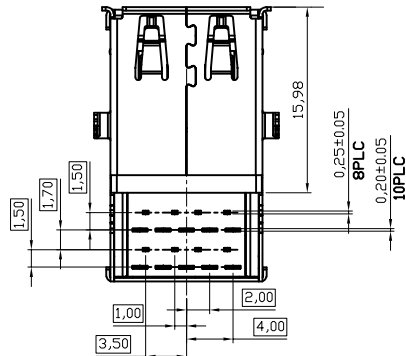
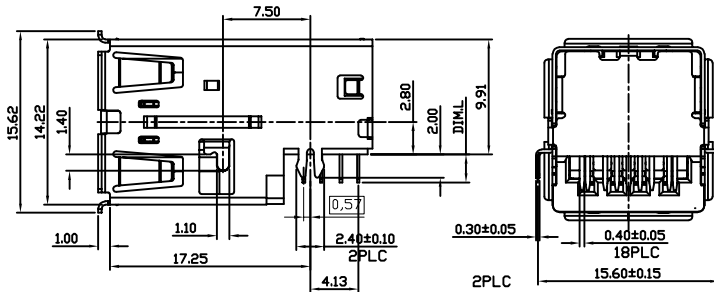
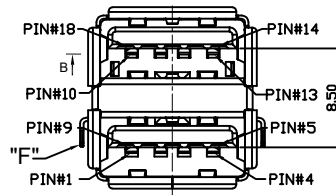
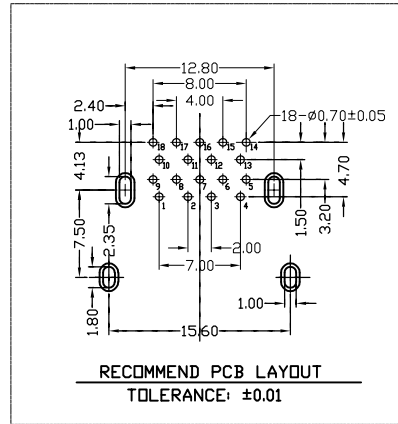
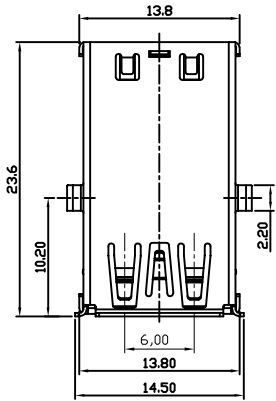


RoHS Compliant

REVISIONS			
REV.	DESCRIPTION	DATE	DESIGN



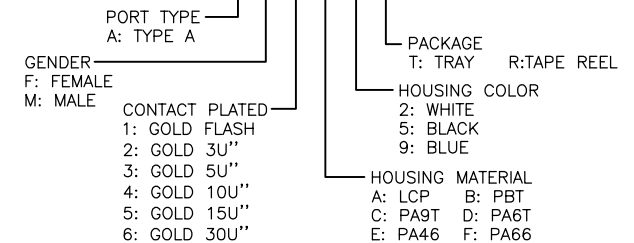
PIN Number	Signal Name	PIN Number	Signal Name
1/10	VBUS	5/14	SSRX-
2/11	D-	6/15	SSRX+
3/12	D+	7/16	GND
4/13	GND	8/17	SSTX-
Shell	Shield	9/18	SSTX+

NOTE:

- MATERIAL:
  - INSULATOR:HIGH TEMPERATURE PLASTIC
  - CONTACT:BRONZE
  - SHELL:BRASS
- ELECTRICAL CHARACTERISTICS:
  - CONTACT RESISTANCE:30mΩ MAX
  - CONTACT CURRENT RATING:1.5A
  - DIELECTRIC WITHSTANDING VOLTAGE:100 V R. M. S.
  - INSULATION RESISTANCE 100 MΩ MIN
  - OPERATING TEMPERATURE:-40° C ~ 85° C
- MECHANICAL CHARACTERISTICS:
  - MATING FORCE:3.57kgf MAX
  - UNMATING FORCE:1.02kgf MIN
  - DURABILITY:MANDATORY:1,500 CYCLES
- PLATING
  - TERMINAL:
    - 50u" MIN NICKEL ALL OVER
    - 100u"MIN Tin ON SOLDER AREA
    - (1~30)u"Au ON CONTACT AREA
  - SHELL:100u"MIN. NICEL ALL OVER

PART NO. INFORMATION

**U03-A F X A X X -6003**



**Bestcreate Technology Limited**

TOLERANCES UNLESS OTHERWISE SPECIFIED:

X.	± 0.50	X.	± 3'
.X	± 0.30	.X	± 2'
.XX	± 0.20	.XX	± 1'

Website: [www.bsc-elec.com](http://www.bsc-elec.com)  
E-mail: [bestcreate@bsc-elec.com](mailto:bestcreate@bsc-elec.com)

DESIGN: I.L  
DATE: 2017.3.1

CHECKED: C.W  
DATE: 2017.3.1

APPROVED: C.W  
DATE: 2017.3.1

TITLE: DUAL PORT USB 3.0 A FEMALE CONNECTOR MID-MOUNT

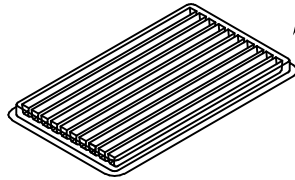
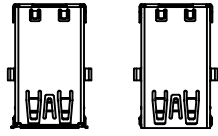
MATERIAL: PART NO: U03-AFXAXX-6003 SIZE: A4

FINISH: DWG NO: U03-AFXAXX-6004 SHEET: 1 OF 2

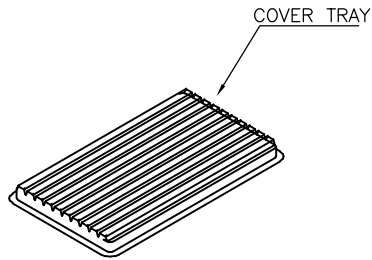
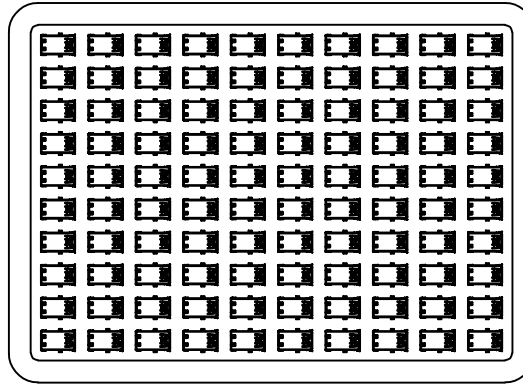
REV: A UNIT mm SCALE 1=1 QUALITY SYMBOLS

RoHS Compliant

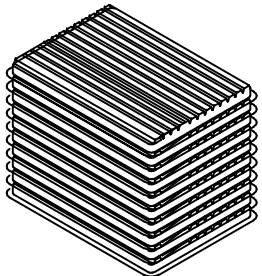
REVISIONS			
REV.	DESCRIPTION	DATE	DESIGN



100 PCS/TRAY

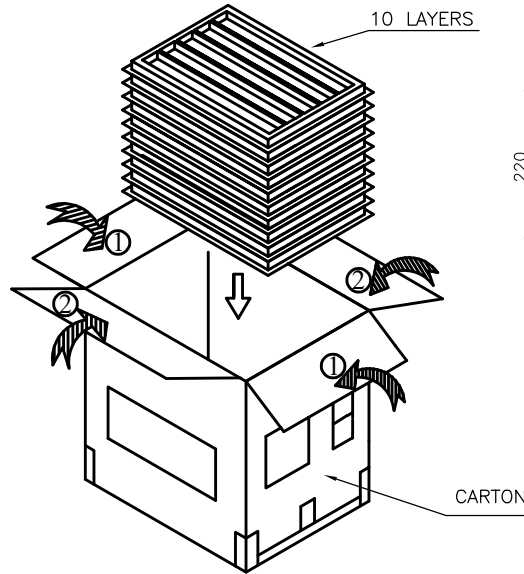


COVER TRAY



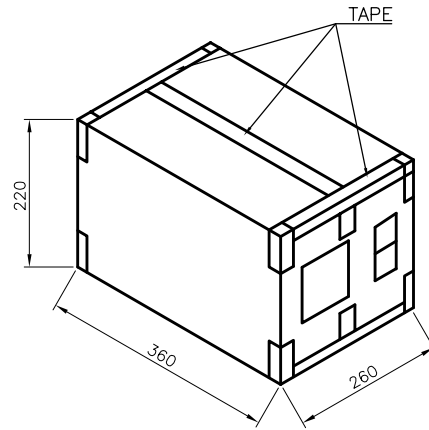
10 LAYERS

PACKING (TRAY)



10 LAYERS

CARTON



NOTES:

- DIMENSION:  
TRAY: L=350, W=250, H=21.5  
SHIPPING CARTON: L=360, W=260, H=220
- QUANTITY: (SEE TABLE)
- CARTON WEIGHT: (SEE TABLE)

7.50	6.50	100	10	1000
GROSS WEIGHT	NET WEIGHT	PCS/TRAY	TRAYS/CARTON	PCS/CARTON

**Bestcreate Technology Limited**

TOLERANCES UNLESS OTHERWISE SPECIFIED:

X.	± 0.50	X.'	± 3'
.X	± 0.30	.X''	± 2''
.XX	± 0.20	.XX'''	± 1'''

Website: [www.bsc-elec.com](http://www.bsc-elec.com)

E-mail: [bestcreate@bsc-elec.com](mailto:bestcreate@bsc-elec.com)

DESIGN: I.L DATE: 2017.3.1

CHECKED: C.W DATE: 2017.3.1

APPROVED: C.W DATE: 2017.3.1

TITLE: DUAL PORT USB 3.0 A FEMALE CONNECTOR MID-MOUNT

MATERIAL: PART NO: U03-AFXAXX-6003 SIZE: A4

FINISH: DWG NO: U03-AFXAXX-6003 SHEET: 1 OF 2

REV: A	UNIT mm	SCALE 1=1	QUALITY SYMBOLS
--------	---------	-----------	-----------------