

RoHS Compliant

REVISIONS			
REV.	DESCRIPTION	DATE	DESIGN

NONES:

1. 材质:

- 1) 塑胶:LCP+30%G/F, UL 94V-0, 颜色:黑色
- 2) 端子: 材质:C2680-H T=0.20  
镍底: 50~100U" 镀金G/F
- 3) 外壳: 材质:铁料 SPCC T=0.40  
镍底: 50~100U"

2. 电气特性:

- 1) 接触阻抗:30mΩ MAX(初始) FOR VBUS AND GND CONNECTS, 其它50mΩ MAX(初始) 环境与寿命测试后的变化值:+10Ω MAX
- 2) 绝缘阻抗:100MΩ MIN.
- 3) 额定电流:1.5A
- 4) 耐压:100V AC(RMS)

3. 机械特性

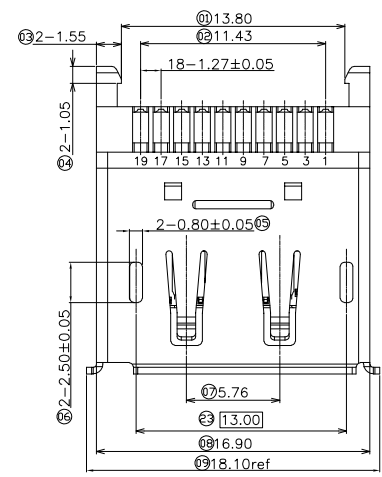
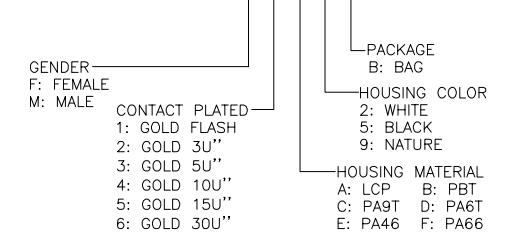
- 1) 插入力:44.1N MAX.
- 2) 拔出力:9.8N(初始) MIN.  
寿命测试后:8N MIN.
- 3) 寿命:10000 CYCLES

- 4. 环境特性:使用温度:-40° C-85° C
- 5. 符合本公司环境物质管理标准

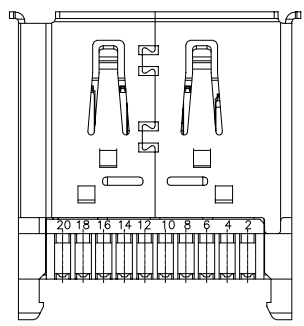
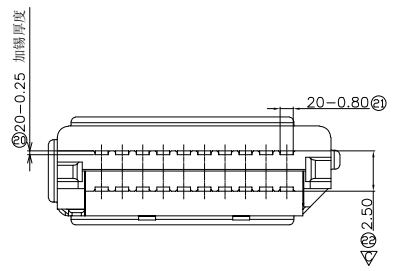
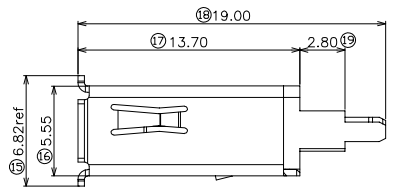
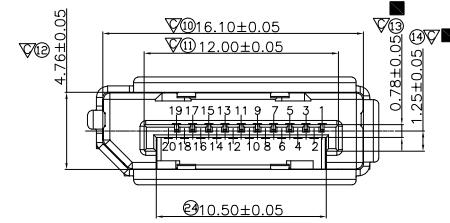
标记 ▽ 为重点管控尺寸。  
 标记 ⊗ 为FAI尺寸。  
 标记 ■ 为CPK尺寸。

PART NO. INFORMATION

**DP09- F X X 5 B - 004**



PIN	定义	PIN	定义
1	ML_Lane0 (P)	11	GND
2	GND	12	ML_Lane3 (N)
3	ML_Lane0 (N)	13	CFG1
4	ML_Lane1 (P)	14	CFG2
5	GND	15	AUX (HLP)
6	ML_Lane1 (N)	16	GND
7	ML_Lane2 (P)	17	AUX (HLP)
8	GND	18	HOT PLUG
9	ML_Lane2 (N)	19	Return (for Pwr)
10	ML_Lane3 (P)	20	DP-PWR (3.3V 500mA)



**Bestcreate Technology Limited**

TOLERANCES UNLESS OTHERWISE SPECIFIED:			
X.	± 0.25	X.*	± 5*
.X	± 0.20	.X*	± 2*
.XX	± 0.15	.XX*	± 1*

Website:www.bsc-elec.com  
 Email:bestcreate@bsc-elec.com

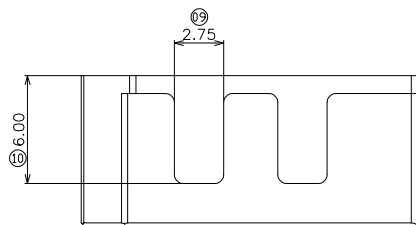
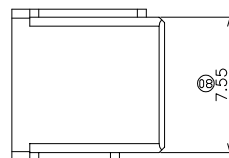
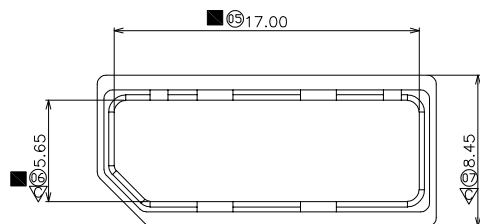
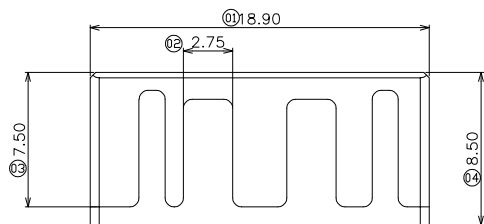
DESIGN:	DATE:
I.L	2017.3.1
CHECKED:	DATE:
C.W	2017.3.1
APPROVED:	DATE:
C.W	2017.3.1

TITLE: <b>DISPLAY PORT FEMALE CONNECTOR FOR WIRE SOLDERING WITH COVER</b>		
MATERILA:	PART NO: DP09-FXX5B-004	SIZE: A4
FINSH:	DWG NO: DP09-FXX5B-004	

REV: A	UNIT mm	SCALE 1=1	QUALITY SYMBOLS 
-----------	------------	--------------	---------------------

RoHS Compliant

REVISIONS			
REV.	DESCRIPTION	DATE	DESIGN



NONES:

1. 护套:

1) 塑胶:ABS, UL 94V-0, 颜色:黑色

标记 ▽ 为重点管控尺寸.

标记 ⊗ 为FAI尺寸.

标记 ■ 为CPK尺寸.

**Bestcreate Technology Limited**

TOLERANCES UNLESS OTHERWISE SPECIFIED:

X.	± 0.25	X.*	± 5°
.X	± 0.20	.X*	± 2°
.XX	± 0.15	.XX*	± 1°

DESIGN: I.L  
DATE: 2017.3.1

CHECKED: C.W  
DATE: 2017.3.1

APPROVED: C.W  
DATE: 2017.3.1

TITLE: DISPLAY PORT FEMALE CONNECTOR FOR WIRE  
SOLDERING WITH COVER

MATERILA: PART NO: DP09-FXX5B-004 SIZE: A4

FINSH: DWG NO: DP09-FXX5B-004

REV: A UNIT mm SCALE 1=1 QUALITY SYMBOLS

Website:www.bsc-elec.com  
Email:bestcreate@bsc-elec.com