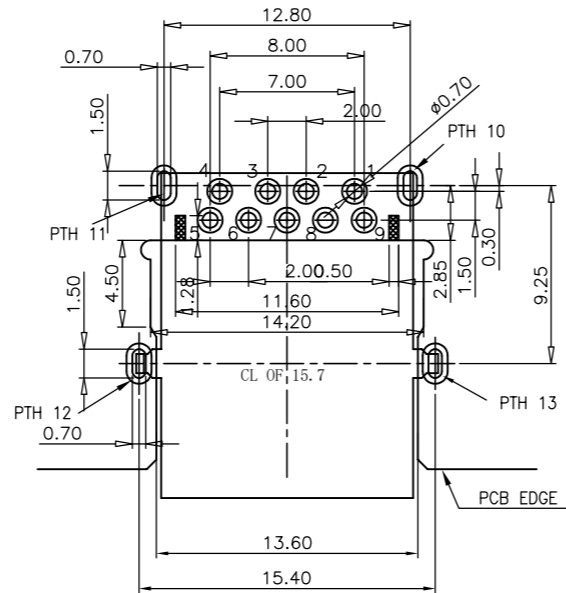
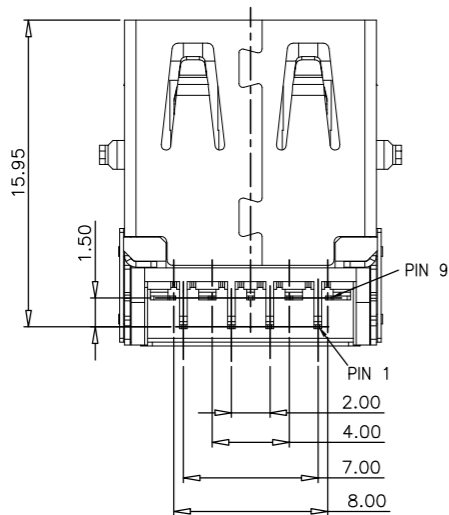
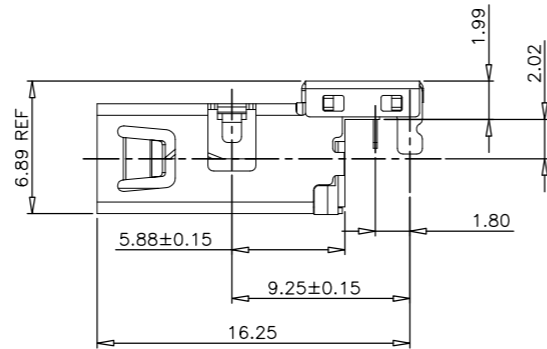
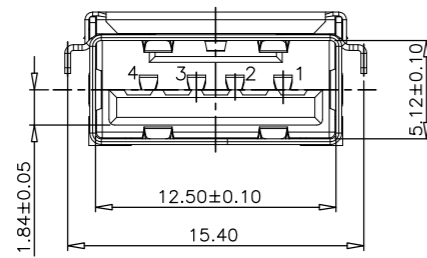
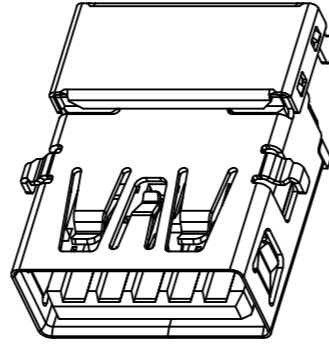
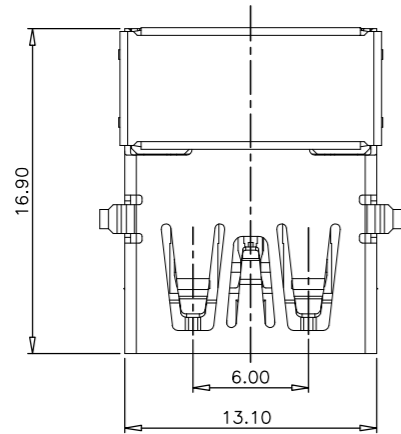


RoHS Compliant

REVISIONS			
REV.	DESCRIPTION	DATE	DESIGN



TOLERANCE: ±0.05, THICKNESS: 1.2mm
RECOMMENDED PCB LAYOUT
 (TOP VIEW)
 [Cross-hatched area] KEEP OUT AREA

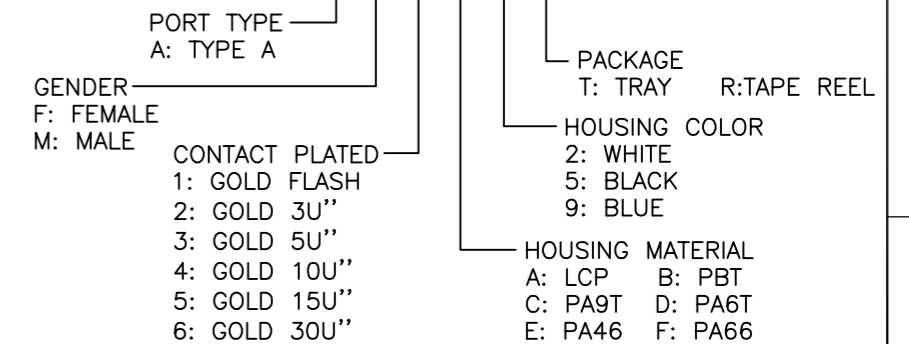
NOTE:

- MATERIAL:
 - INSULATOR:HIGH TEMPERATURE PLASTIC UL 94 V-0;BLUE
 - CONTACT:COPPER ALLOY(T=0.20mm)
 - SHELL:SUS201(T=0.30mm)
- ELECTRICAL CHARACTERISTICS:
 - CONTACTRESISTANCE:30mΩ Max
 - CONTACT CURRENT RATING:1.5A
 - DIELECTRIC WITHSTANDING VOLTAGE:500 V R.M.S.
 - INSULATION RESISTANCE 100 MEGOHMS Min
 - OPERATING TEMPERATURE:-40°C ~ 85°C
- MECHANICAL CHARACTERISTICS:
 - MATING FORCE:35 N Max
 - UNMATED FORCE:10 N Min INITIAL; 8 N Min AFTER TEST
 - DURABILITY:5,000 CYCLES
- PLATING
 - TERMINAL CONTACT:(SEE TAB) GOLD PLATING ALL OVER 50u" MIN NICKEL AND 80u"MIN Matte Tin ALL OVER 50u" MIN NICKEL IN SOLDER AREA
 - SHELL:50u"MIN. NICKEL ALL OVER

Pin #	SIGNAL NAME
1	VBUS
2	D-
3	D+
4	GND
5	StdA_SSRX-
6	StdA_SSRX+
7	GND_DRAIN
8	StdA_SSTX-
9	StdA_SSTX+
Shell	Shield

PART NO. INFORMATION

U03-A F X A X X -5014



Bestcreate Technology Limited

TOLERANCES UNLESS OTHERWISE SPECIFIED:

X.	± 0.30	X.*	± 3°
.X	± 0.20	.X*	± 2°
.XX	± 0.15	.XX*	± 1°

DESIGN:	I. L.	DATE:	2017. 3. 1
CHECKED:	C. W.	DATE:	2017. 3. 1
APPROVED:	C. W.	DATE:	2017. 3. 1

TITLE: USB 3.0 TYPE A 9P, H=6.89MM, CH=-2.02MM L=16.90 REC, RVS, DIP TYPE		
MATERILA:	PART NO: U03-AFXAXX-5014	SIZE: A4
FINSH:	DWG NO: U03-AFXAXX-5014	SHEET: 1 OF 2

REV: A	UNIT: mm	SCALE: 1=1	QUALITY SYMBOLS: [Symbol]
--------	----------	------------	---------------------------

Website: www.bsc-elec.com
 E-mail: bestcreate@bsc-elec.com