

RoHS Compliant

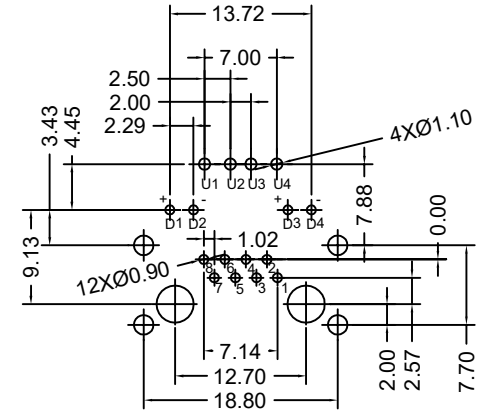
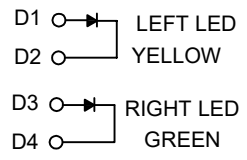
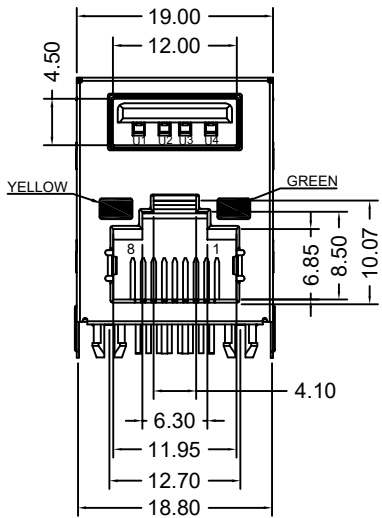
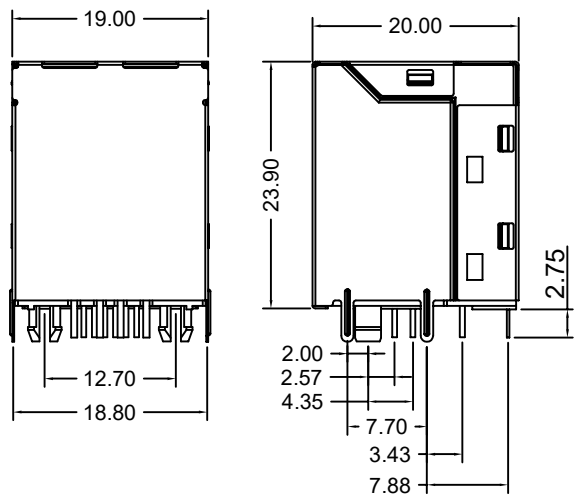
REVISIONS			
REV.	DESCRIPTION	DATE	DESIGN

**MATERIAL :**

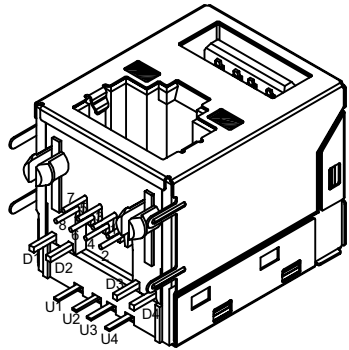
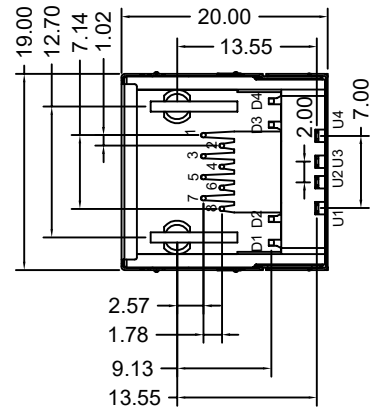
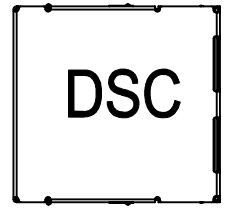
- 1. PLASTIC HOUSING :  
HIGH TEMPERATURE THERMOPLASTIC, UL 94V-0. BLACK .
- 2. METAL SHELL :  
50µ NICKEL PLATING ON COPPER ALLOY. THICKNESS=0.2mm.
- 3. RJ45 CONTACT :  
Ø=0.46mm DIA COPPER ALLY. FLASH GOLD PLATING.
- 4. USB CONTACT :  
FLASH GOLD PLATING ON COPPER ALLOY .THICKNESS=0.3mm

A  
B  
C  
D

A  
B  
C  
D



RECOMMENDED P.C.B LAYOUT  
TOP VIEW (COMPONENT SIDE)



**PART NO. INFORMATION**

**U20RJ01- X 5 0 X - 009**

- CONTACT PLATED  
 1: G/F    2: AU 3U"  
 3: AU 6U"    4: AU 15U"  
 5: AU 30U"
- PACKAGE  
 R: TAPE REEL  
 T: TRAY

**Bestcreate Technology Limited**

TOLERANCES UNLESS OTHERWISE SPECIFIED:

.X	± 0.35	.X"	± 3'
.XX	± 0.25	.X"	± 2'
.XXX	± 0.15	.XX"	± 1'

Website: [www.bsc-elec.com](http://www.bsc-elec.com)  
 Email: [bestcreate@bsc-elec.com](mailto:bestcreate@bsc-elec.com)

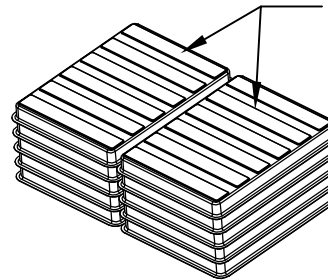
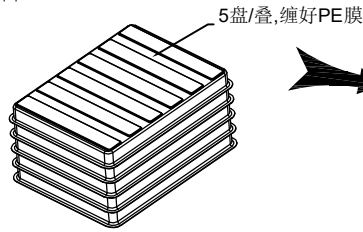
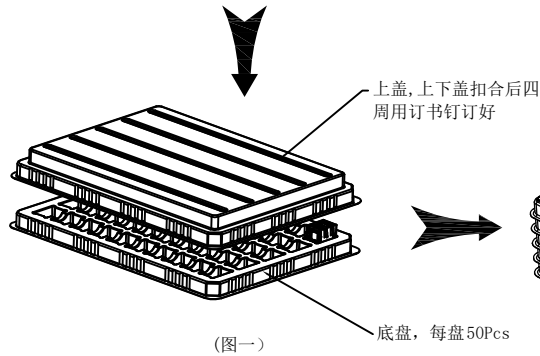
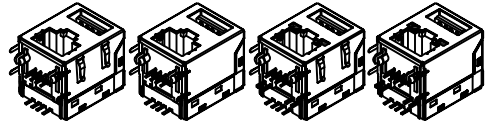
DESIGN:	DATE:
I. L	2017. 3. 1
CHECKED:	DATE:
C. W	2017. 3. 1
APPROVED:	DATE:
C. W	2017. 3. 1

TITLE: Upper USB and Lower RJ45 connector WITH LEDs		
MATERILA:	PART NO: U20RJ01-X50X-009	SIZE: A4
FINSH:	DWG NO: U20RJ01-X50X-009	1of2

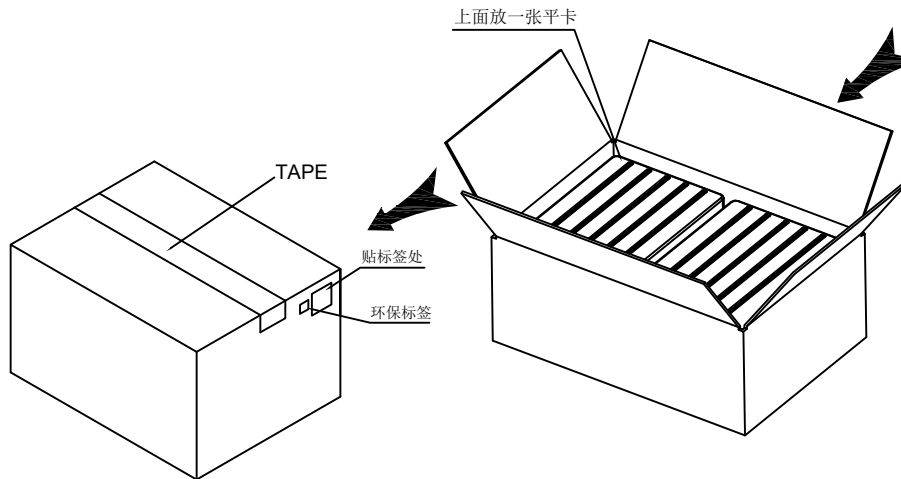
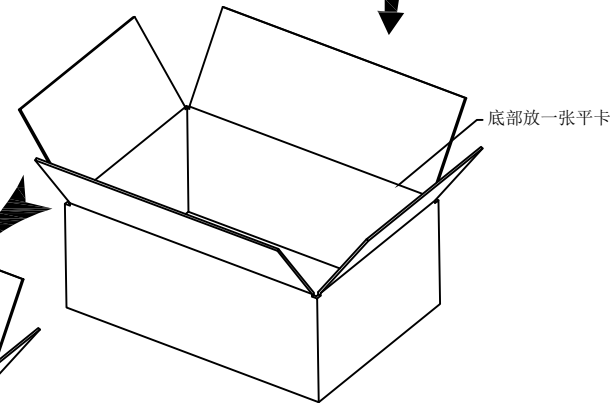
REV: A	UNIT mm	SCALE 1=1	QUALITY SYMBOLS
--------	---------	-----------	-----------------

RoHS Compliant

REVISIONS			
REV.	DESCRIPTION	DATE	DESIGN



- 数量: 1盘=50Pcs, 一箱10盘=500Pcs
- 将装好产品的5个真空盒整齐叠放在一起, 缠好PE膜, 共两叠每叠250PCS放入纸箱中(上下两面各放一张平卡), 用封箱胶纸封好纸箱。
- 包材脏污破损不可使用, 包装过程中注意不可碰伤刮伤产品
- 外箱材质为K=K, 要求破裂强度为16Kg



NO.	List	Packing Quantity	
		PCS/Tray	50PCS/Tray
1	Tray	PCS/Tray	50PCS/Tray
2	Cartoon	PCS/Cartoon	500PCS/Cartoon

**Bestcreate Technology Limited**

TOLERANCES UNLESS OTHERWISE SPECIFIED:

.X	± 0.35	.X"	± 3"
.XX	± 0.25	.X"	± 2"
.XXX	± 0.15	.XX"	± 1"

Website: [www.bsc-elec.com](http://www.bsc-elec.com)  
Email: [bestcreate@bsc-elec.com](mailto:bestcreate@bsc-elec.com)

DESIGN: I. L  
CHECKED: C. W  
APPROVED: C. W  
DATE: 2017.3.1

TITLE: Upper USB and Lower RJ45 connector WITH LEDs  
MATERILA: U20RJ01-X50X-009  
PART NO: U20RJ01-X50X-009  
FINSH: U20RJ01-X50X-009  
SIZE: A4  
2of2

REV: A  
UNIT: mm  
SCALE: 1=1  
QUALITY SYMBOLS