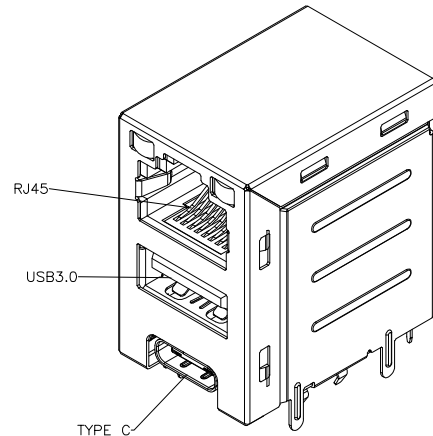
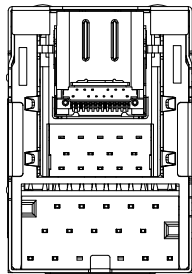
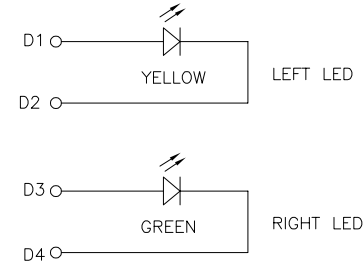


RoHS Compliant

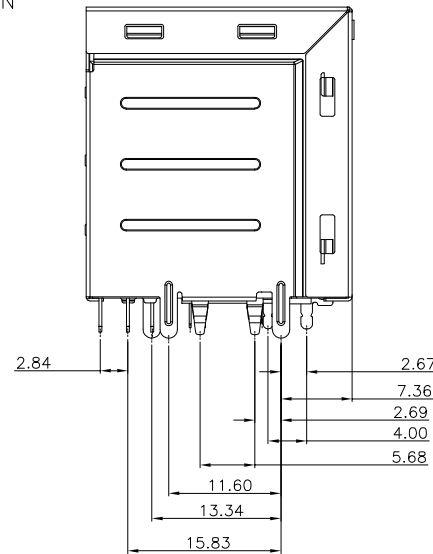
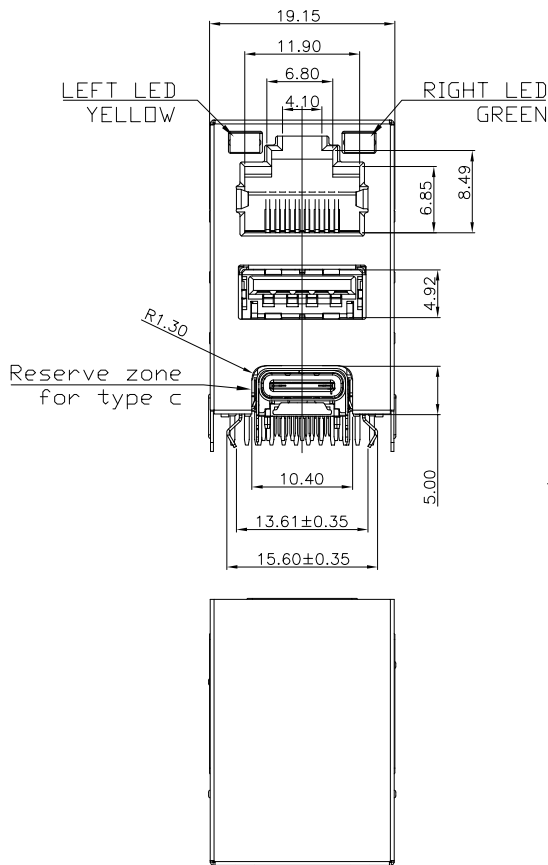
REVISIONS			
REV.	DESCRIPTION	DATE	DESIGN



.LED Informertion :



LED Color	$\lambda P(nm)$	$V_F @ I_F=20mA$	$I_R @ V_R=5V$
GREEN	565	1.8~2.4 V	10 uA max
YELLOW	585	1.8~2.4 V	10 uA max



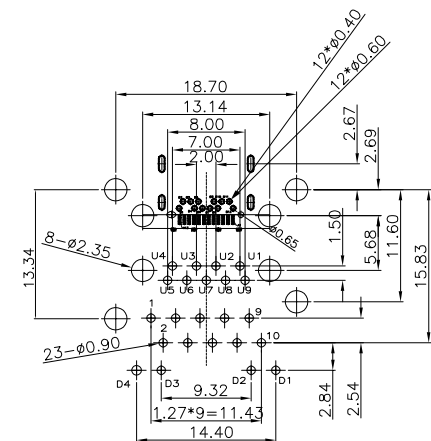
.PCB LAYOUT :

PART NO. INFORMATION

**RJU30TC01- X 5 0 X - 006**

CONTACT PLATED  
 1: G/F 2: AU 3U"  
 3: AU 6U" 4: AU 15U"  
 5: AU 30U"

PACKAGE  
 R: TAPE REEL  
 T: TRAY



RECOMMENDED P.C.B. PATTERN LAYOUT  
 ( TOP VIEW ) ALL TOLERANCE ARE:±0.05mm

TYPE C support reflow soldering process.  
 RJ45 and USB3.0 support wave soldering process.

**Bestcreate Technology Limited**

TOLERANCES UNLESS OTHERWISE SPECIFIED:	
.X ± 0.35	.X' ± 3'
.XX ± 0.25	.X' ± 2'
.XXX ± 0.15	.X' ± 1'

Website: [www.bsc-elec.com](http://www.bsc-elec.com)  
 Email: [bestcreate@bsc-elec.com](mailto:bestcreate@bsc-elec.com)

DESIGN:	DATE:
I. L	2017. 3. 1
CHECKED:	DATE:
C. W	2017. 3. 1
APPROVED:	DATE:
C. W	2017. 3. 1

TITLE:		RJ45 w/ USB3.0 , w/type c, w/ 2.5G BASE-T , w/ LEDs. 13.34-11.60	
MATERILA:	PART NO:	RJU30TC01-X50X-006	SIZE: A4
FINSH:	DWG NO:	RJU30TC01-X50X-006	1of3

REV: A	UNIT mm	SCALE 1=1	QUALITY SYMBOLS
--------	---------	-----------	-----------------

RoHS Compliant

REVISIONS			
REV.	DESCRIPTION	DATE	DESIGN

.Notes :

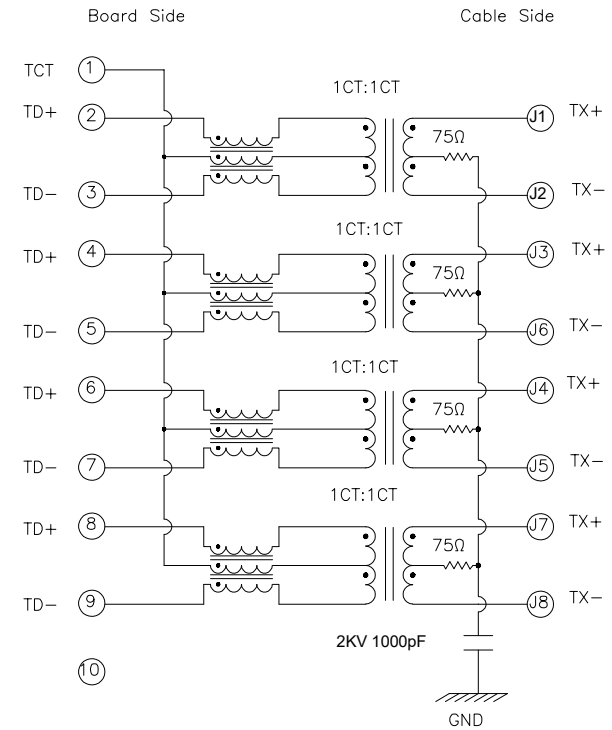
RJ45

- 1.Meets for exceeds IEEE802.3 standards including 350uH Min OCL with 8mA DC
- 2.High performance for EMI suppression. Crosstalk. Return Loss,Insertion Loss and consistent Electrical.
- 3.Minimize PCB space and Simplify PCB Layout
- 4.Materials:
  - 4.1.Housing: Thermo plastics, PBT,BK,UL94V-0
  - 4.2.Insert Base : Thermo plastics.PBT.BK.UL94V-0
  - 4.3.Contact:Copper Alloy
  - 4.4.Shell:SUS304,T=0.25mm,Pre-soldering.
  - 4.5. PCB PIN: Tin Plating 80u" on solder tail area,
  - 4.6.RJ45 30U Gold plating on contact area.

USB:

- 5.Material Specification:
  - 5.1.Cover:PA66&PBT+30%G.F, UL94V-0.Color:blue.
  - 5.2.Housing:PA66&PBT+30%G.F, UL94V-0.Color:blue.
  - 5.3.Shell:SUS T=0.25.
  - 5.4.Contacts:Brass(C2680) T=0.20.
- 6.Plating Specification:
  - 6.1.Contacts: Au 30u" Au on contact area & 80u" min matte Tin plated & 50u"min Nickel plated
  - 6.2.Front Shell: 50u"MIN mattein Tin plating on solder tails over 20u"MIN Nickel
  - 6.3.Middle Bullet: 80u" Nickel plated & 50u" copper plated
- 7.Mechanical Performance.
  - 7.1.Insertion Force:3.5Kgf MAX.
  - 7.2.Extraction Force:1.0-3.5Kgf.
  - 7.3.Durability:1500 cycles .
- 8.Elecirical Performance:Insulation Resistance:100M MIN.
- 9.Wave Solder:The Connector Shall Be mounted on the PCB.

.Schematic :



**Bestcreate Technology Limited**

TOLERANCES UNLESS OTHERWISE SPECIFIED:

.X	±	0.35	X'	±	3'
.XX	±	0.25	.X'	±	2'
.XXX	±	0.15	.XX'	±	1'

Website: [www.bsc-elec.com](http://www.bsc-elec.com)  
Email: [bestcreate@bsc-elec.com](mailto:bestcreate@bsc-elec.com)

DESIGN: I. L      DATE: 2017. 3. 1

CHECKED:      DATE:      C. W      2017. 3. 1

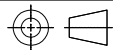
APPROVED:      DATE:      C. W      2017. 3. 1

TITLE: RJ45 w/ USB3.0 , w/type c, w/ 2.5G BASE-T , w/ LEDs. 13. 34-11. 60

MATERILA:      PART NO: RJU30TC01-X50X-006      SIZE: A4

FINSH:      DWG NO: RJU30TC01-X50X-006      2of3

REV: A      UNIT: mm      SCALE: 1=1      QUALITY SYMBOLS



RoHS Compliant

REVISIONS			
REV.	DESCRIPTION	DATE	DESIGN

.Eletrical Specification @25°C :

.USB3.0 STANDARD-A CONNECTOR PIN ASSIGNMENTS:

PARAMETER	SPECIFICATIONS	
OPERATING TEMPERATURE	0°C TO +70°C	
TURNS RATIO	1.00 ± 2%	
POLARITY	PER SCHEMATIC	
INSERTION LOSS (SDD21&SDD12)	1-50MHz	50-125MHz
	-0.5 dB MAX	-1.0 dB MAX
PHY-SIDE RETURN LOSS (SDD11-Zref=100 OHMS ± 1%)	1-40MHz	40-200MHz
	-20 dB MIN	-[20+15*LOG10(f/40)] dB MIN
LINE-SIDE RETURN LOSS (SDD22-Zref=100 OHMS ± 1%)	1-40MHz	40-200MHz
	-20 dB MIN	-[20+15*LOG10(f/40)] dB MIN
INDUCTANCE (OCL)	150 uH MIN @ 100KHz, 100mV	
CROSSTALK, ADJACENT CHANNELS (SDD21-ADJ.)	1-125MHz	
	-30 dB MIN	
COMMON MODE REJECTION RATIO (SCC21)	30-200MHz	
	-30 dB MIN	
COMM. TO DIFF REJECTION RATIO (SCC12)	10-125MHz	
	-45+f/35 dB MIN	
INPUT-OUTPUT ISOLATION	2250 VDC FOR 60 SECONDS	

PIN NUMBER	SIGNAL NAME	DESCRIPTION
U1	VBUS	POWER
U2	D-	USB2.0 DIFFERENTIAL PAIR
U3	D+	
U4	GND	GROUND FOR POWER RETURN
U5	StdA_SSRX-	SUPER SPEED RECEIVER DIFFERENTIAL PAIR
U6	StdA_SSRX+	
U7	GND_DRAIN	GROUND FOR SIGNAL RETURN
U8	StdA_SSTX-	SUPER SPEED TRANSMITTER DIFFERENTIAL PAIR
U9	StdA_SSTX+	

NOTE: f IS FREQUENCY IN MHZ.

.RJ45 CONNECTOR PIN ASSIGNMENTS:

PIN NUMBER	SIGNAL NAME	DESCRIPTION
J1	TX_D1 +	TRANCEIVE DATA+ (发信号+)
J2	TX_D1 -	TRANCEIVE DATA- (发信号-)
J3	RX_D2 +	RECEIVE DATA+ (收信号+)
J4	BI_D3 +	BI-DIRECTIONAL DATA+ (双向数据+)
J5	BI_D3 -	BI-DIRECTIONAL DATA- (双向数据-)
J6	RX_D2 -	RECEIVE DATA- (收信号-)
J7	BI_D4 +	BI-DIRECTIONAL DATA+ (双向数据+)
J8	BI_D4 -	BI-DIRECTIONAL DATA- (双向数据-)

**Bestcreate Technology Limited**

TOLERANCES UNLESS OTHERWISE SPECIFIED:

.X	± 0.35	X'	± 3'
.XX	± 0.25	.X'	± 2'
.XXX	± 0.15	.XX'	± 1'

DESIGN: DATE:

I. L 2017. 3. 1

CHECKED: DATE:

C. W 2017. 3. 1

APPROVED: DATE:

C. W 2017. 3. 1

TITLE:

RJ45 w/ USB3.0 , w/type c, w/ 2.5G  
BASE-T , w/ LEDs. 13. 34-11. 60

MATERILA:

PART NO:  
RJU30TC01-X50X-006

SIZE:  
A4

FINSH:

DWG NO:  
RJU30TC01-X50X-006

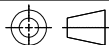
3of3

REV: A

UNIT mm

SCALE 1=1

QUALITY SYMBOLS



Website: www.bsc-elec.com  
Email: bestcreate@bsc-elec.com