

RoHS Compliant

REVISIONS			
REV.	DESCRIPTION	DATE	DESIGN

Pin No.	Signal Type	Pin No.	Signal Type
1	In	11	GND
2	GND	12	In
3	In	13	CONFIG(see note 1)
4	In	14	CONFIG(see note 1)
5	GND	15	I/O
6	In	16	GND
7	In	17	I/O
8	GND	18	Out
9	In	19	RTN
10	In	20	Power Out(see note 2)

NOTES:

\*Material

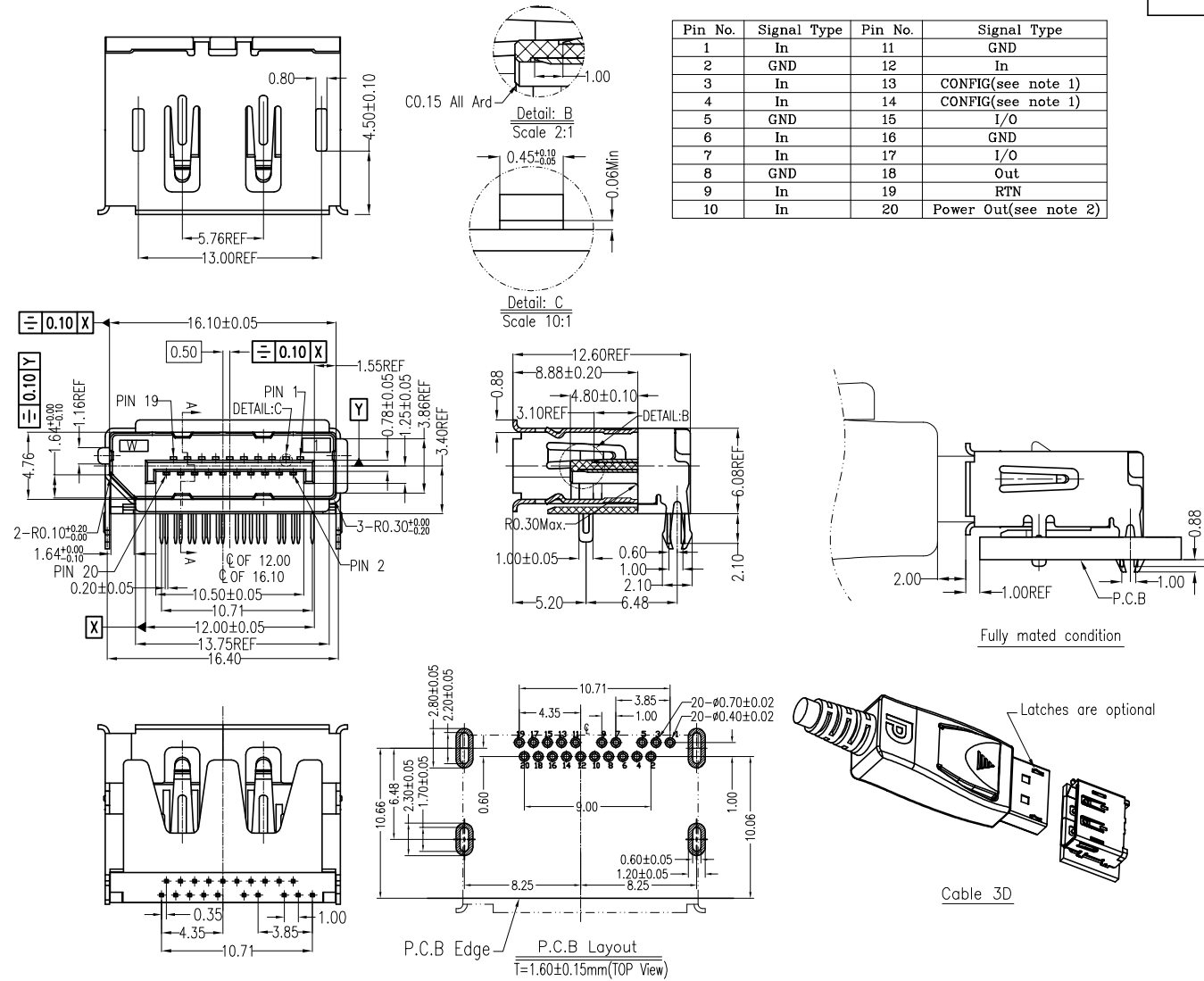
Body: LCP, UL 94V-0 Rated; Color: Black.  
 Shield: Brass.  
 Plating: Ni(40u" Min.) Plating.  
 Contact: Brass.  
 Plating: Au plating on contact area;  
 Sn(100u" Min.) plating on solder tail;  
 Ni(40u" Min.) underplating overall.

\*Electrical Specification

Operation Voltage: 40 VAC max.  
 Current Rating: 0.5 Ampere per contact  
 Contact Resistance: 30 Milliohms max.  
 Insulation Resistance: 100 Megohms min.  
 Dielectric Withstanding Voltage: 500 VAC

\*Environmental

Operating Temperature: -20°C to +85°C



PART NO. INFORMATION

DP09- F X X 5 R - 007

GENDER  
 F: FEMALE  
 M: MALE

CONTACT PLATED  
 1: GOLD FLASH  
 2: GOLD 3U"  
 3: GOLD 5U"  
 4: GOLD 10U"  
 5: GOLD 15U"  
 6: GOLD 30U"

PACKAGE  
 R: TAPE REEL T-TRAY  
 HOUSING COLOR  
 2: WHITE  
 5: BLACK  
 9: NATURE  
 HOUSING MATERIAL  
 A: LCP B: PBT  
 C: PA9T D: PA6T  
 E: PA46 F: PA66

**Bestcreate Technology Limited**

TOLERANCES UNLESS OTHERWISE SPECIFIED:

.X	± 0.35	X.*	± 2"
.XX	± 0.25	.X*	± 1"
.XXX	± 0.15	.XX*	± 0.5"

Website: [www.bsc-elec.com](http://www.bsc-elec.com)  
 Email: [bestcreate@bsc-elec.com](mailto:bestcreate@bsc-elec.com)

DESIGN: I. L. DATE: 2017. 3. 1

CHECKED: C. W. DATE: 2017. 3. 1

APPROVED: C. W. DATE: 2017. 3. 1

TITLE: DISPLAYPORT EXTERNAL FEMALE CONNECTOR  
 DIP TYPE DOUBLE ROW

MATERILA:	PART NO: DP09-FXX5R-007	SIZE: A4
FINSH:	DWG NO: DP09-FXX5R-007	

REV: A	UNIT mm	SCALE 1=1	QUALITY SYMBOLS
--------	---------	-----------	-----------------