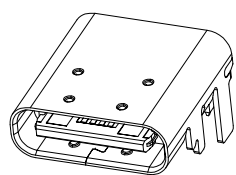
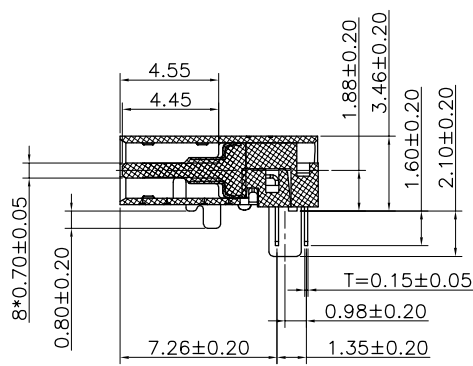
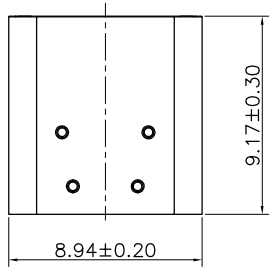
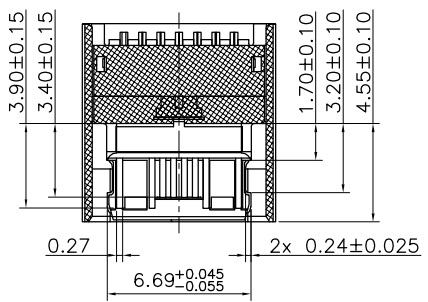
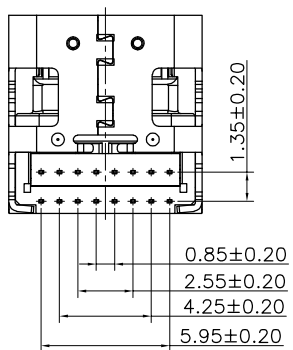
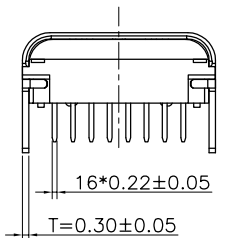
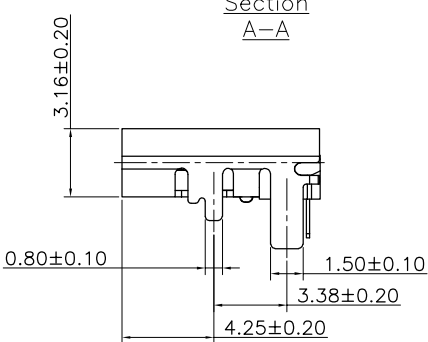
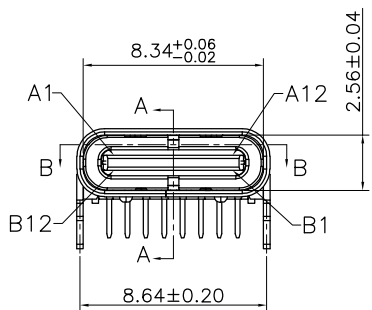


RoHS Compliant

REVISIONS			
REV.	DESCRIPTION	DATE	DESIGN



Section A-A



Section B-B

Specifications:

1.0 Electrical performance:

1.1 Contact resistance: 40mΩ max for initial, 10mΩ change after test. measure at 20mv, 100mA.

1.2 Dielectric withstanding voltage: AC 100V(rms).

1.3 Insulation resistance: 100MΩ min.

1.4 Contact current rating: 3A for Vbus pin; 4.25A for Vconn and GND pin; 0.25A for all the other pin.

1.5 Voltage: 20 Vac (rms).

2.0 mechanical performance:

2.1 Mating force: 5~20N

2.2 Unmating force: 8~20N Initial test, 6~20N After test

2.3 Durability: 10,000 cycles.

3.0 Environmental performance:

3.1 Temperature range:

3.2 Operating temperature: -40°to+85°.

3.3 Storage temperature: -20°to+60°.

4.0 Material:

4.1 Housing: LCP Black, UL94-V0.

4.2 Contact: C18400, T=0.15mm

4.3 Mid-plate: SUS301, T=0.15mm

4.4 Shell: SUS304 T=0.30mm

4.5 Shell-EMI: SUS301 T=0.1

5.0 Plating specification:

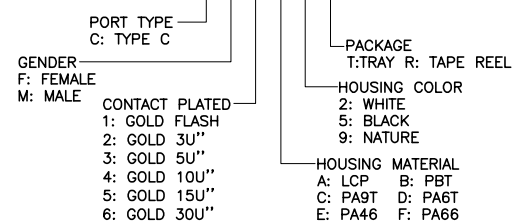
5.1 Contact: Au(see table) plated on contact area
Matte Tin plated 50u"min on solder area; Nickel 50u"min underplating over all.

5.2 Shell: 50u" min nickel plating.

5.3 Shell-EMI: None plating.

PART NO. INFORMATION

U06-C F X X 5 X - 064



Bestcreate Technology Limited

TOLERANCES UNLESS OTHERWISE SPECIFIED:

.X	± 0.30	X'	± 2'
.XX	± 0.20	.XX'	± 1'
.XXX	± 0.10	.XXX'	± 0.5'

Website: www.bsc-elec.com
Email: bestcreate@bsc-elec.com

DESIGN: I. L DATE: TITLE: USB C FEMALE 16P CONNECTOR DIP TYPE, CH=1.88MM

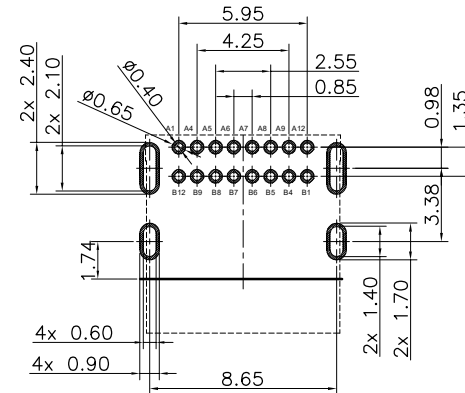
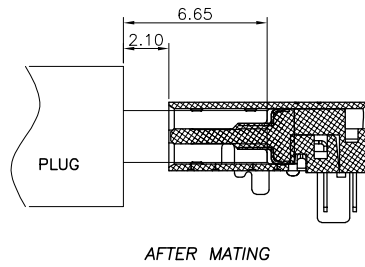
CHECKED: C. W DATE: MATERILA: PART NO: U06-CFXX5X-064 SIZE: A4

APPROVED: C. W DATE: FINSH: DWG NO: U06-CFXX5X-064 1 OF 2

REV: A UNIT: mm SCALE: 1=1 QUALITY SYMBOLS:

RoHS Compliant

REVISIONS			
REV.	DESCRIPTION	DATE	DESIGN



RECOMMENDED PCB LAYOUT(TOP)
TOLERANCES: ±0.05MM

USB TYPE-C PIN ASSIGNMENTS

Pin	Signal	Mating Sequence	Pin	Signal	Mating Sequence
A1	GND	First	B12	GND	First
A4	V _{usb}	First	B9	V _{usb}	First
A5	CC1	Second	B8	SBU2	Second
A6	Dp1	Second	B7	Dn2	Second
A7	Dn1	Second	B6	Dp2	Second
A8	SBU1	Second	B5	CC2	Second
A9	V _{usb}	First	B4	V _{usb}	First
A12	GND	First	B1	GND	First
SHELL	GND		SHELL	GND	

Bestcreate Technology Limited

TOLERANCES UNLESS OTHERWISE SPECIFIED:

.X	± 0.30	.X'	± 2'
.XX	± 0.20	.XX'	± 1'
.XXX	± 0.10	.XXX'	± 0.5'

DESIGN: I. L. DATE:

CHECKED: C. W. DATE:

APPROVED: C. W. DATE:

TITLE: USB C FEMALE 16P CONNECTOR DIP TYPE, CH=1.88MM

MATERILA:	PART NO: U06-CFXX5X-064	SIZE: A4
FINSH:	DWG NO: U06-CFXX5X-064	2 OF 2

REV: A	UNIT mm	SCALE 1=1	QUALITY SYMBOLS	
--------	---------	-----------	-----------------	--