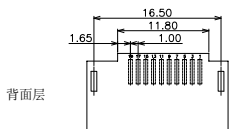
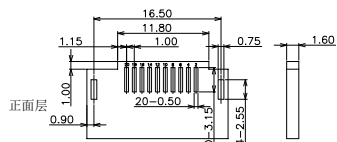
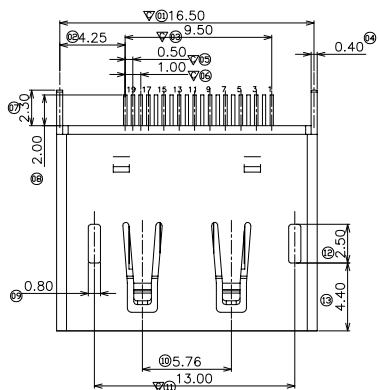
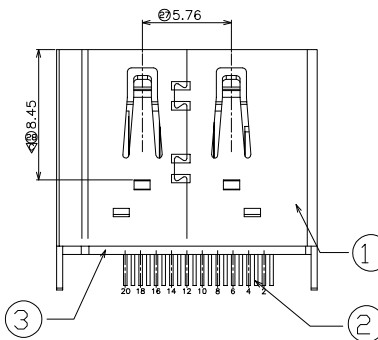
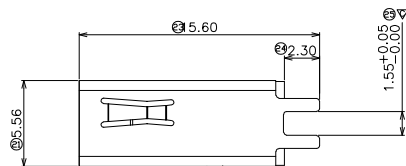
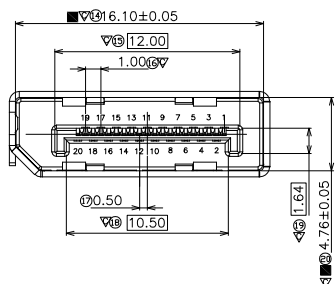


RoHS Compliant

REVISIONS			
REV.	DESCRIPTION	DATE	DESIGN



PCB Layout Reference
SCALE 2:1



PIN	定义	PIN	定义
1	ML Lane0 (P)	11	GND
2	GND	12	ML Lane3 (N)
3	ML Lane0 (N)	13	CFG1
4	ML Lane1 (P)	14	CFG2
5	GND	15	AUX (HLP)
6	ML Lane1 (N)	16	GND
7	ML Lane2 (P)	17	AUX (HLP)
8	GND	18	HOT PLUG
9	ML Lane2 (N)	19	Return (for Pwr)
10	ML Lane3 (P)	20	DP-PWR (3.3V 500mA)

NO.	材料名称	材质	颜色	备注
3	外壳	SPCC	—	GOLD/NICKEL PLATED
2	端子	C2680	—	GOLD/TIN PLATED
1	胶芯	LCP	BLACK	UL 94V-0

NONES:

- 电气特性:
 - 接触阻抗: 30mΩ MAX (初始) FOR VBUS AND GND CONNECTS, 其它 50mΩ MAX (初始)
 - 环境与寿命测试后的变化值: +10Ω MAX
 - 绝缘阻抗: 100MΩ MIN.
 - 额定电流: 1.5A
 - 耐压: 100V AC (RMS)
- 机械特性
 - 插入力: 35N MAX.
 - 拔出力: 10N (初始) MIN. 寿命测试后: 8N MIN.
 - 寿命: 5000 CYCLES
- 环境特性: 使用温度: -40° C-85° C
- 符合本公司环境物质管理标准

标记▽为重点管控尺寸.

标记⊙为FAI尺寸.

标记■为CPK尺寸.

PART NO. INFORMATION

DP09-F1A5X-022-A

GENDER F: FEMALE M: MALE	CONTACT PLATED 1: GOLD FLASH 2: GOLD 3U" 3: GOLD 5U" 4: GOLD 10U" 5: GOLD 15U" 6: GOLD 30U"	PACKAGE R:TAPE REEL T:TRAY HOUSING COLOR 2: WHITE 5: BLACK 9: NATURE HOUSING MATERIAL A: LCP B: PET C: PA9T D: PA6T E: PA46 F: PA66
--------------------------------	---	--

Bestcreate Technology Limited

TOLERANCES UNLESS OTHERWISE SPECIFIED:

.X	± 0.35	.X'	± 2'
.XX	± 0.25	.X'	± 1'
.XXX	± 0.15	.XX'	± 0.5'

Website: www.bsc-elec.com
Email: bestcreate@bsc-elec.com

DESIGN: I.L DATE: 2017.3.1
CHECKED: C.W DATE: 2017.3.1
APPROVED: C.W DATE: 2017.3.1

TITLE: STRADDLE MOUNT 1.6MM DP FEMALE CONNECTOR
MATERILA: PART NO: DP09-F1A5X-022-A SIZE: A4
FINSH: DWG NO: DP09-F1A5X-022-A

REV: A UNIT mm SCALE 1=1 QUALITY SYMBOLS