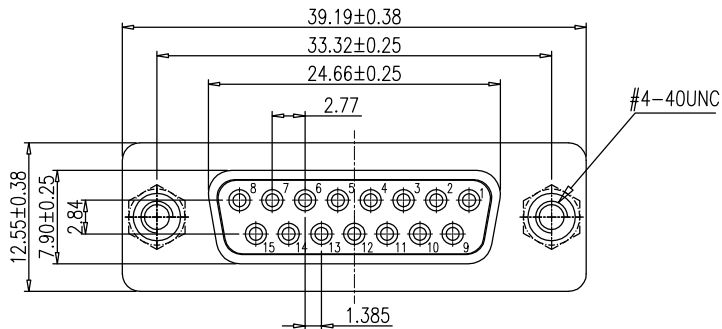
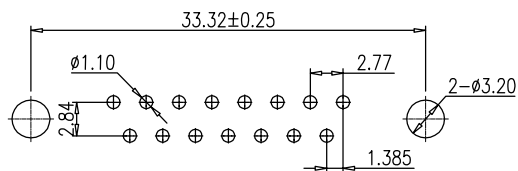
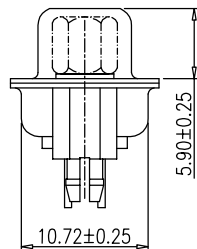
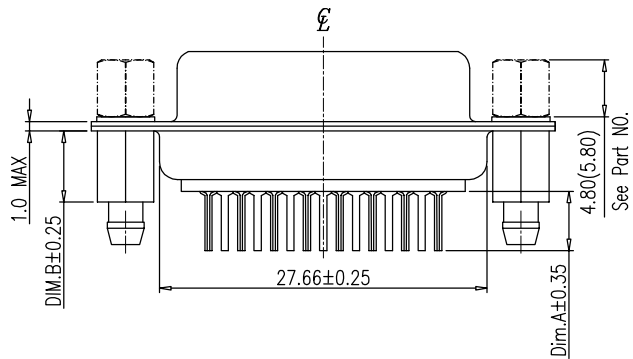


RoHS Compliant

| REVISIONS | | | |
|-----------|-------------|------|--------|
| REV. | DESCRIPTION | DATE | DESIGN |
| | | | |



NOTE:
 1.MATERIALS AND FINISHED
 INSULATOR : PBT+30% GF UL 94V-0,
 SHELL : STEEL, NI OR SN FINISHED
 CONTACT MATERIAL : BRASS, SELEVITE GOLD FINISHED
 RIVETED INSERT: BRASS MATERIAL ,TIN FINISHED
 WITH #4-40 THREADED ASSEMBLED
 2.ELECTRICAL CHARACTERISTICS
 CURRENT RATING : 3.0 AMP DC
 VOLTAGE RATING: 250 V DC
 CONTACT RESISTANCE :30 MILLIOHMS MAX.
 DIELECTRIC WITHSTANDING VOLTAGE : 1000 V AC MIN.
 INSULATION RESISTANCE : 1000 MEGAOHMS MIN.
 3.ENVIRONMENTAL
 OPERATING TEMPERATURE: -55°C ~ +85°C
 STORAGE TEMPERATURE:-55°C ~ +105°C
 4.HOW TO ORDER:



RECOMMENDED P. C. B LAYOUT

DPF121-15XXXXP-XXXX

Female

09:9Pin 25:25PIN
 15:15Pin 37:37PIN

G:Full Gold
 S:Selevite Gold Bright TIN

1:G/F" 5: 5u"
 2:2u" 6: 10u" 8: 30u"
 3:3u" 7: 15u" 9: 1u"

1. Front NI Back SN
 3. Full Sn
 5. Full NI

L: Light blue
 B: Black
 W: White

P:PBT

2: RoHS&Salt Spray 96h(Shell)
 0: RoHS
 5: Dim.A=5.2
 4: Dim.A=3.4
 1: Dim.A=5.0

K:4.7*7.2*12.1 Copper Pillar
 P:4.7*7.5*12.4 Copper Pillar
 C:4.7*7.9*12.8 Copper Pillar
 7:4.7*6.0*11.7 Copper Pillar
 6:4.7*6.0*10.9 Copper Pillar

H:5.8*9.5 Hexagonal screw(iron)
 G:5.8*9.5 Hexagonal screw(copper)
 8:4.8*10.1 Hexagonal screw(iron)
 7:4.8*10.1 Hexagonal screw(copper)
 2:4.8*8.5 Hexagonal screw(iron)
 1:4.8*8.5 Hexagonal screw(copper)
 0:W/O screw

C:Attach screw type
 B:Ass'y screw type
 A:No screw type(Rivet)

Bestcreate Technology Limited

TOLERANCES UNLESS OTHERWISE SPECIFIED:

| | | | |
|------|--------|------|------|
| .X | ± 0.38 | .X" | ± 3" |
| .XX | ± 0.25 | .X" | ± 2" |
| .XXX | ± 0.15 | .XX" | ± 1" |

Website:www.bsc-elec.com
 Email:bestcreate@bsc-elec.com

DESIGN: I. L DATE: 2017. 3. 1

CHECKED: C. W DATE: 2017. 3. 1

APPROVED: C. W DATE: 2017. 3. 1

TITLE: DP-15P FEMALE CONNECTOR

| | | |
|-----------|------------------------------|----------|
| MATERILA: | PART NO: DPF121-15XXXXP-XXXX | SIZE: A4 |
| FINSH: | DWG NO: DPF121-15XXXXP-XXXX | |

| | | | |
|--------|---------|-----------|-----------------|
| REV: A | UNIT mm | SCALE 1=1 | QUALITY SYMBOLS |
|--------|---------|-----------|-----------------|