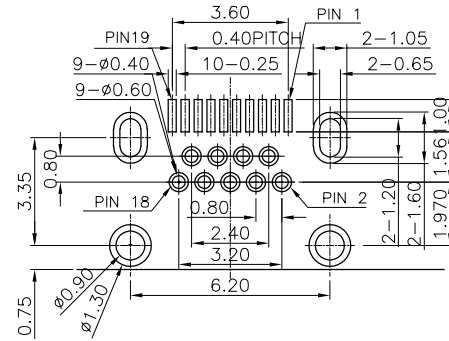
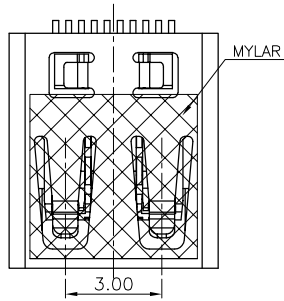


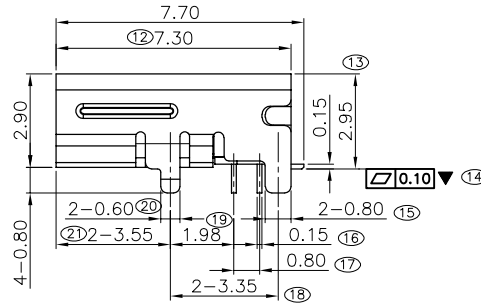
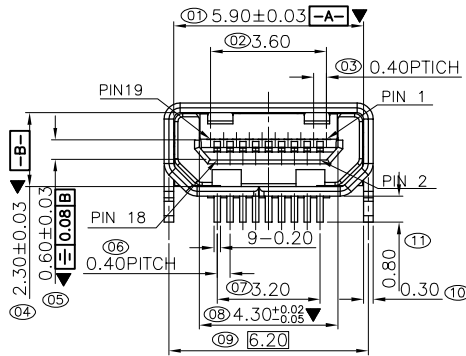
RoHS Compliant

REVISIONS			
REV.	DESCRIPTION	DATE	DESIGN



RECOMMENDED PCB LAYOUT THICKNESS =0.8 mm  
TOLERANCE =±0.05 (TOP VIEW)

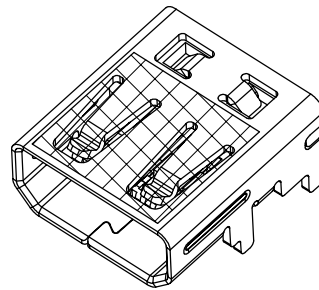
- NOTES:
- MATERIAL SPECIFICATION
    - HOUSING/COVER: HIGH TEMPERATURE THERMOPLATIC UL94V-0 WHITE.
    - CONTACT: COPPER ALLOY T=0.15mm.
    - STAINLESS SHELL T=0.30mm.
    - MYLAR: KAPTON BASE, POLYIMIDE TAPE.
  - PLATING SPECIFICATION
    - CONTACT: NISOU" UNDER PLATED,GOLD FLASH PLATED ON THE FUNCTIONAL AREA OF CONTACT,GOLD PLATING OR TIN ON SOLDER AREA.
    - SHELL: NICKEL PLATED.
  - MECHANICAL PERFORMANCE
    - INSERTION FORCE: 44.1N (4.5 KGF) MAX.
    - WITHDRAWAL FORCE: 4.9N~25N(0.5KGF~2.5KGF).
    - DURABILITY: 5000 CYCLES.
  - ELECTRICAL PERFORMANCE
    - CURRENT RATING: 0.3A.
    - LLCR: CONTACT: 30 mΩ MAX(INITIAL), SHELL: 50 mΩ MAX(INITIAL).
    - INSULATION RESISTANCE:
      - UNMATED: 100 MΩ MIN. AT 500V DC.
      - MATED: 10 MΩ MIN. AT 150V DC.
    - DIELECTRIC WITHSTAND VOLTAGE:
      - 150V AC/60S(MATED), 250V AC/60S(UNMATED).
  - IR REFLOW:
    - THE PEAK TEMPERATURE ON BOARD SHALL BE MAINTAINED FOR 10 SECONDS AT 260±5°C.
  - OPERATING TEMPERATURE RANGE: -20°C~85°C(WITHOUT LOSS FUNCTION).
  - RoHS COMPLIANT OR HALOGEN FREE COMPLIANT.



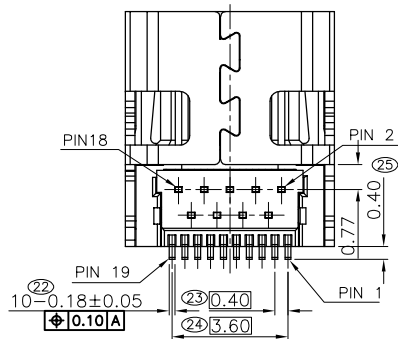
PART NO. INFORMATION

HD01-D F X X 5 R - 001

- PORT TYPE: D: TYPE D
- GENDER: F: FEMALE, M: MALE
- CONTACT PLATED:
  - 1: GOLD FLASH
  - 2: GOLD 3U"
  - 3: GOLD 5U"
  - 4: GOLD 10U"
  - 5: GOLD 15U"
  - 6: GOLD 30U"
- PACKAGE: R: TAPE REEL
- HOUSING COLOR:
  - 2: WHITE
  - 5: BLACK
  - 9: NATURE
- HOUSING MATERIAL:
  - A: LCP B: PBT
  - C: PA9T D: PA6T
  - E: PA46 F: PA66



3D VIEW



Bestcreate Technology Limited

TOLERANCES UNLESS OTHERWISE SPECIFIED:

X.	± 0.50	X.'	± 3'
.X	± 0.25	.X'	± 2'
.XX	± 0.15	.XX'	± 1'

Tel/Whatsapp:0086-13712299763  
Skype: belle.wu3340

DESIGN:	DATE:
I. L	2017. 3. 1
CHECKED:	DATE:
C. W	2017. 3. 1
APPROVED:	DATE:
C. W	2017. 3. 1

TITLE: HDMI DF 端子前插后贴壳四脚插板		
MATERILA:	PART NO: HD01-DFXX5R-001	SIZE: A4
FINSH:	DWG NO: HD01-DFXX5R-001	

REV: A	UNIT mm	SCALE 1=1	QUALITY SYMBOLS
-----------	------------	--------------	-----------------