

RoHS Compliant

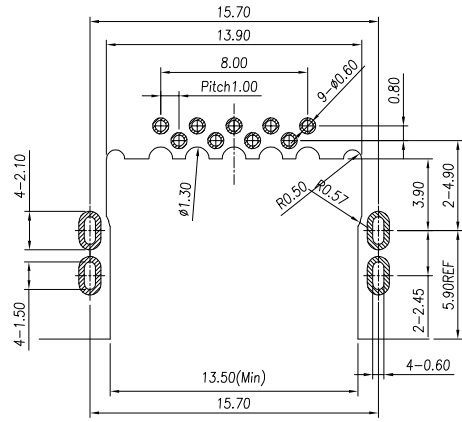
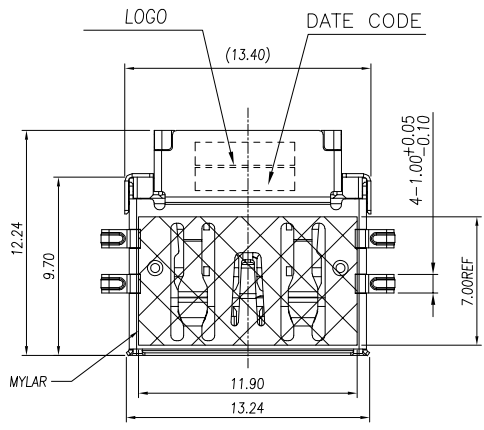
REVISIONS			
REV.	DESCRIPTION	DATE	DESIGN

- NOTE:
- MATERIAL:
    - INSULATOR:PA9T, UL 94 V-0; COLOR BLACK
    - 4PIN CONTACT:C5191(T=0.20mm)
    - 5PIN CONTACT:C2680(T=0.20mm)
    - SHELL:SUS304(T=0.20mm)
  - PLATING:
 

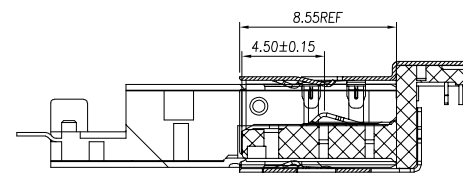
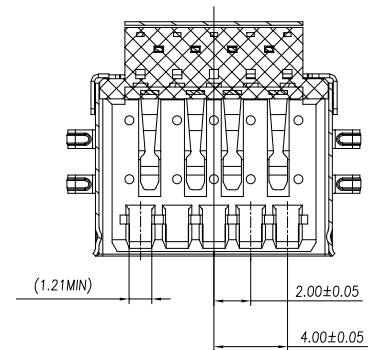
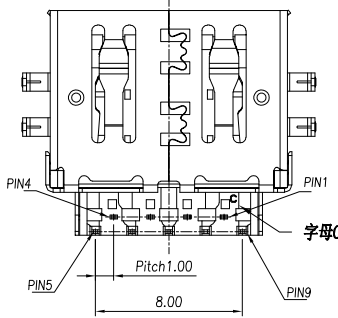
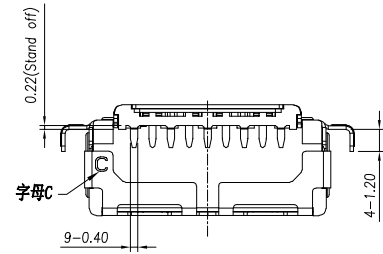
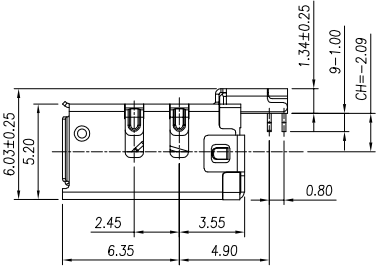
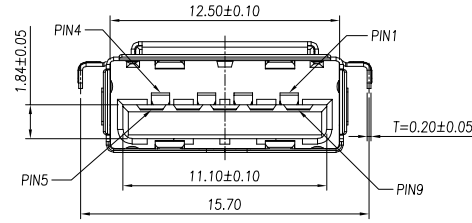
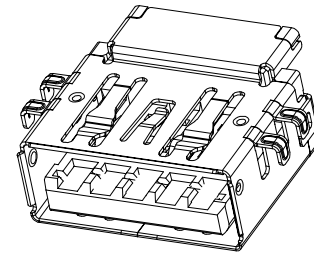
CONTACTS: GOLD(SEE TABLE)PLATED ON CONTACT AREA, 100u"MIN. MATTE-TIN ON SOLDERTALLS  
50u" MIN. NICKEL UNDERPLATING OVER ALL  
SHIELD: 50u" MIN. NICKEL UNDERPLATING OVER ALL
  - SPECIFICATIONS:
    - ELECTRICAL CHARACTERISTICS:
 

CURRENT RATING: 1.8A(PIN1, 4); OTHER CONTACTS 0.25A  
VOLTAGE RATING: 30V DC/AC MAX.  
CONTACT RESISTANCE: 30mΩ MAX. PIN1&PIN4  
50mΩ MAX FOR OTHER CONTACTS.  
DIELECTRIC WITHSTANDING VOLTAGE: 100V AC FOR 1 MINUTE.  
INSULATION RESISTANCE: 100MΩ MIN.
    - MECHANICAL CHARACTERISTICS:
 

MATING FORCE: 35N(3.57 kgf) MAX.  
UNMATING FORCE:10N(1.02 kgf) MIN. (INITIAL); 8N (0.816 kgf) Min. (FINAL).  
DURABILITY: 5000 CYCLES.
    - OPERATING TEMPERATURES: -20°C TO +85°C.
    - STORAGE TEMPERATURE RANGE: -45°C TO +60°C.
    - Salt Spray 48H
    - RESISTANCE TO REFLOW SOLDERING HEAT: 260°+0/-5°,10s.



TOLERANCE: ±0.05,  
RECOMMENDED PCB LAYOUT  
(TOP VIEW)



PART NO. INFORMATION

**U03-A F X A X X -5020**

PORT TYPE A: TYPE A	PACKAGE T: TRAY R: TAPE REEL
GENDER F: FEMALE M: MALE	HOUSING COLOR 2: WHITE 5: BLACK 9: BLUE
CONTACT PLATED 1: GOLD FLASH 2: GOLD 3U" 3: GOLD 5U" 4: GOLD 10U" 5: GOLD 15U" 6: GOLD 30U"	HOUSING MATERIAL A: LCP B: PBT C: PA9T D: PA6T E: PA46 F: PA66

**Bestcreate Technology Limited**

TOLERANCES UNLESS OTHERWISE SPECIFIED:

X.	± 0.30	X.*	± 3*
.X	± 0.20	.X*	± 2*
.XX	± 0.15	.XX*	± 1*

Website: [www.bsc-elec.com](http://www.bsc-elec.com)  
E-mail: [bestcreate@bsc-elec.com](mailto:bestcreate@bsc-elec.com)

DESIGN: I. L	DATE: 2017. 3. 1
CHECKED: C. W	DATE: 2017. 3. 1
APPROVED: C. W	DATE: 2017. 3. 1

TITLE: USB 3.1 TYPE A 9P H=5.2MM, CH=-2.09MM L=12.24MM REC, RVS, DIP TYPE		
MATERILA:	PART NO: U03-AFXAXX-5020	SIZE: A4
FINSH:	DWG NO: U03-AFXAXX-5020	SHEET: 1 OF 2

REV: A	UNIT mm	SCALE 1=1	QUALITY SYMBOLS
-----------	------------	--------------	-----------------