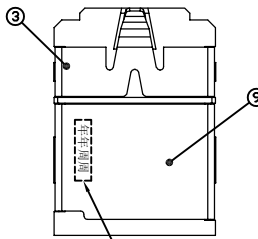
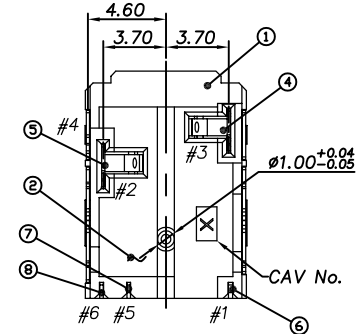
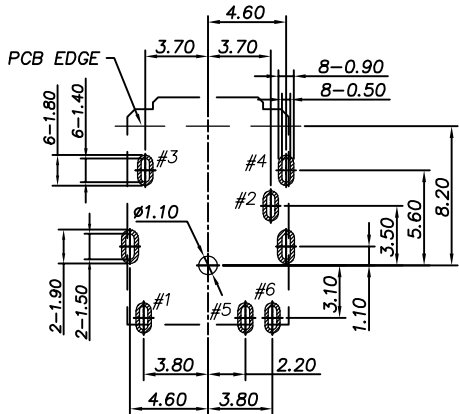
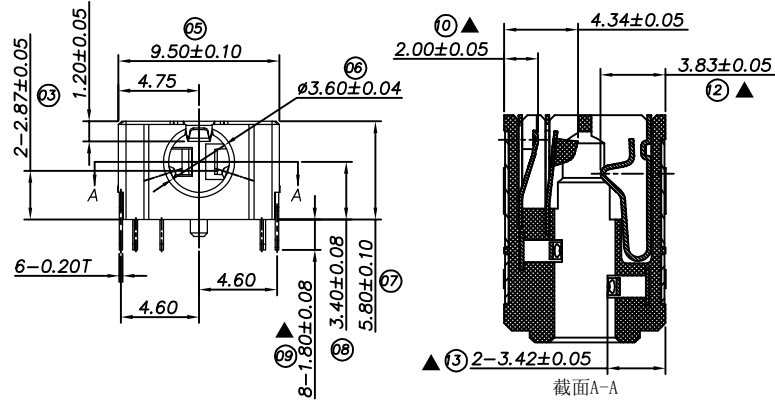
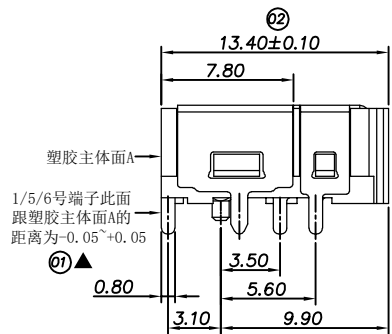


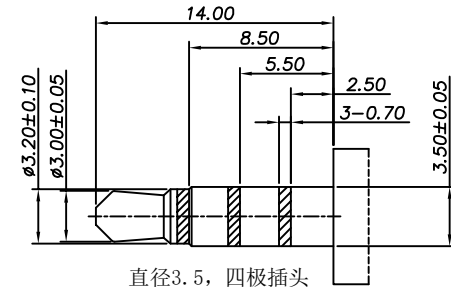
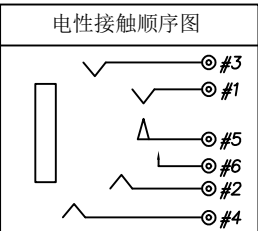
RoHS Compliant

REVISIONS			
REV.	DESCRIPTION	DATE	DESIGN



- NOTES:
- ELECTRICAL CHARACTERISTICS:
 - CONTACT RESISTANCE: 50mΩ MAX. (INITIAL) 100mΩ MAX. (FINAL)
 - DIELECTRIC WITHSTANDING VOLTAGE: 250V AC FOR ONE MINUTE.
 - INSULATION RESISTANCE: 100MΩ MIN. MEASURED BY 500V DC
 - MECHANICAL CHARACTERISTICS:
 - PLUG INSERTION FORCE: 0.3~3.0KGS .
 - PLUG WITHDRAWAL FORCE: 0.3~3.0KGS .
 - DURABILITY TEST: 5,000 CYCLES .
 - FOR REFLOW SOLDERING LEAD-FREE PROCESS.
 - SOLDERING HEAT RESISTANCE REFLOW SOLDERING 260C.
 - PLUG INTERFACE DIMENSIONS CONFORM TO EIAJ RC-5325 SPECc.

RECOMMENDED PCB LAYOUT(TOP VIEW)
DEFAULT TOLERANCE: ±0.05



ITEM	DESCRIPTIONs	MATERIAL	FINISH	Q'TY	NOTE
10	DUMMY PIN	STAINLESS STEEL	—	1	0.15t
20	SEPARATOR	HIGH TEMP PLASTIC	UL94V-0	1	BLACK
8	M5_CONTACT	COPPER ALLOY		1	0.2t
7	MQ_SHUNT	COPPER ALLOY	GOLD FLASH ON CONTACT AREA.AND	1	0.2t
6	MP_CONTACT	COPPER ALLOY	SOLDER AREA	1	0.2t
5	M4_CONTACT	COPPER ALLOY	ALL OVER 50u" Ni	1	0.2t
4	M1_CONTACT	COPPER ALLOY		1	0.2t
3	M6_CONTACT	COPPER ALLOY		1	0.2t
2	MS_SHELL	COPPER ALLOY	Ni 60u"MIN	1	0.2t
1	P1_HOUSING	HIGH TEMP PLASTIC	UL94V-0	1	BLACK

Bestcreate Technology Limited

TOLERANCES UNLESS OTHERWISE SPECIFIED:

.X	± 0.30	X.'	± 5'
.XX	± 0.20	.X'	± 3'
.XXX	± 0.10	.XX'	± 1'

Website: www.bsc-elec.com
Email: bestcreate@bsc-elec.com

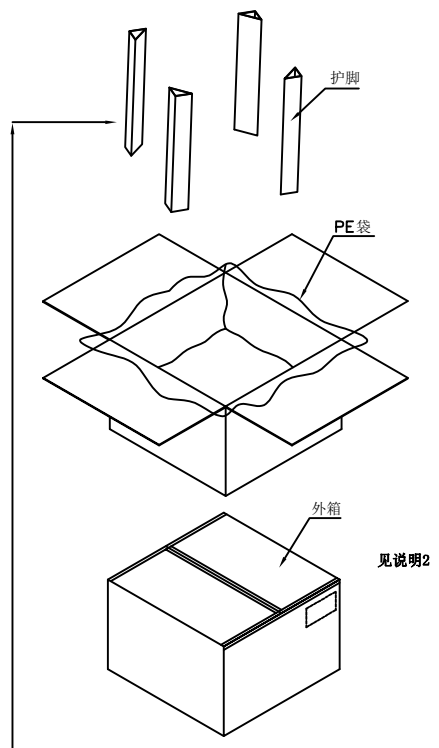
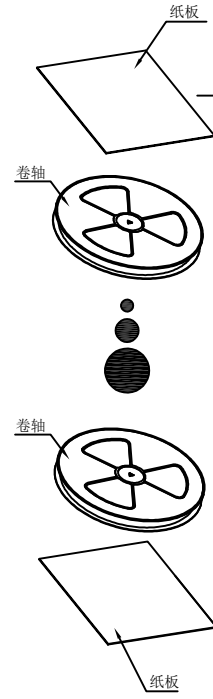
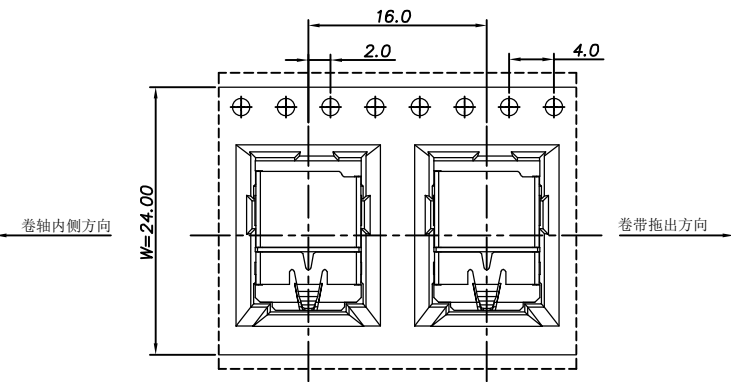
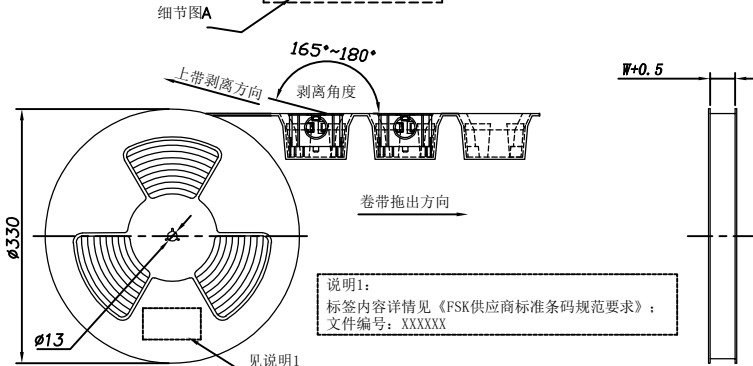
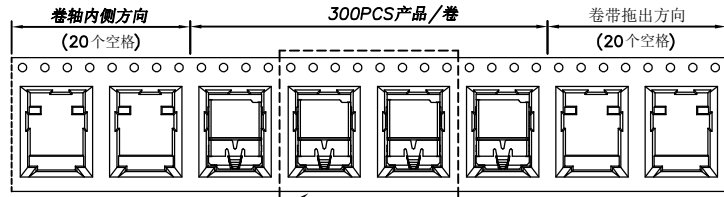
DESIGN:	I. L	DATE:	2017. 3. 1
CHECKED:	C. W	DATE:	2017. 3. 1
APPROVED:	C. W	DATE:	2017. 3. 1

TITLE: 3.5MM PHONE JACK CONNECTOR DIP TYPE 8P		
MATERILA:	PART NO: PJ350-08-A003	SIZE: A4
FINSH:	DWC NO: PJ350-08-A003	1 OF 2

REV: A	UNIT: mm	SCALE: 1=1	QUALITY SYMBOLS
--------	----------	------------	-----------------

RoHS Compliant

REVISIONS			
REV.	DESCRIPTION	DATE	DESIGN



Bestcreate Technology Limited

TOLERANCES UNLESS OTHERWISE SPECIFIED:

.X	± 0.30	X.*	± 5°
.XX	± 0.20	.X*	± 3°
.XXX	± 0.10	.XX*	± 1°

Website: www.bsc-elec.com
Email: bestcreate@bsc-elec.com

DESIGN: I. L DATE: 2017. 3. 1

CHECKED: C. W DATE: 2017. 3. 1

APPROVED: C. W DATE: 2017. 3. 1

TITLE: 3. 5MM PHONE JACK CONNECTOR DIP TYPE 8P

MATERILA: PART NO: PJ350-08-A003 SIZE: A4

FINSH: DWG NO: PJ350-08-A003 2 OF 2

REV: A UNIT: mm SCALE: 1=1 QUALITY SYMBOLS: