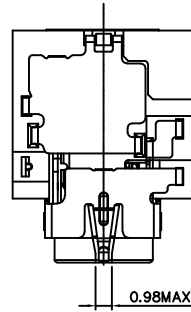
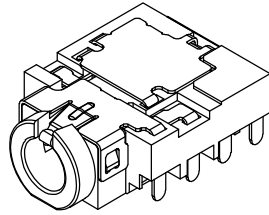


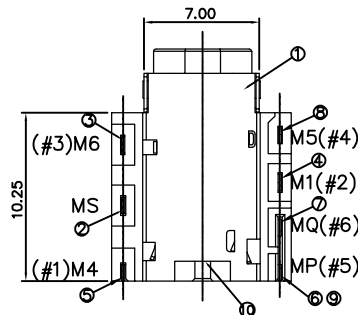
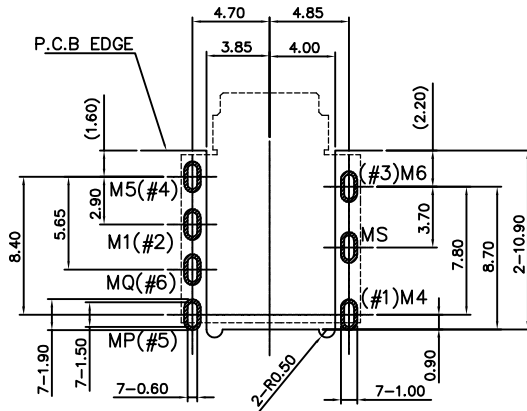
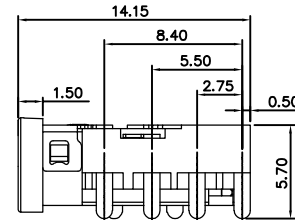
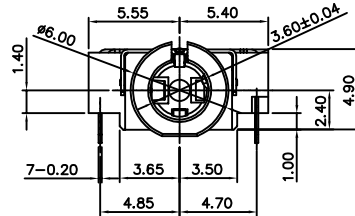
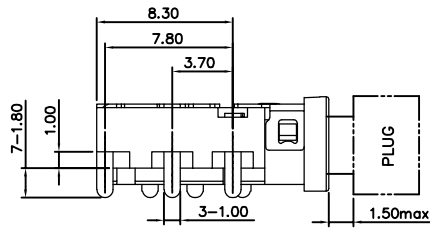
RoHS Compliant

REVISIONS			
REV.	DESCRIPTION	DATE	DESIGN



NOTES:

- ELECTRICAL CHARACTERISTICS:
  - 1-1 CONTACT RESISTANCE: 50mΩ MAX. (INITIAL)  
100mΩ MAX. (FINAL)
  - 1-2. DIELECTRIC WITHSTANDING VOLTAGE: 250V AC FOR ONE MINUTE.
  - 1-3. INSULATION RESISTANCE: 100MΩ MIN. MEASURED BY 500V DC
- MECHANICAL CHARACTERISTICS:
  - 2-1. PLUG INSERTION FORCE : 0.3~3.0KGS .
  - 2-2. PLUG WITHDRAWAL FORCE : 0.3~3.0KGS .
- DURABILITY TEST: 5,000 CYCLES .
- FOR REFLOW SOLDERING LEAD-FREE PROCESS.
- SOLDERING HEAT RESISTANCE REFLOW SOLDERING 260C.
- PLUG INTERFACE DIMENSIONS CONFORM TO EIAJ RC-5325 SPECc.
- PART NO. INFORMATION:



SCHEMATIC	
	M6(#3)G/M
	M4(#1)L/R
	MP(#5)
	MQ(#6)
	M1(#2)R/L
	M5(#4)M/G

RECOMMENDED PADS LAYOUT  
<TOP VIEW>

NOTE : TOLERANCE FOR PCB LAYOUT IS ± 0.05

ITEM	DESCRIPTION	MATERIAL	FINISH	QTY	NOTE
⑩	DUMMY PIN	STAINLESS STEEL	-	1	0.15t
⑨	SEPARATOR	HIGH TEMP PLASTIC	UL94V-0	1	BLACK
⑧	M5_CONTACT	COPPER ALLOY		1	0.2t
⑦	MQ_SHUNT	COPPER ALLOY	GOLD FLASH ON	1	0.2t
⑥	MP_CONTACT	COPPER ALLOY	CONTACT AREA.AND	1	0.2t
⑤	M4_CONTACT	COPPER ALLOY	SOLDER AREA	1	0.2t
④	M1_CONTACT	COPPER ALLOY	ALL OVER 50u" Ni	1	0.2t
③	M6_CONTACT	COPPER ALLOY		1	0.2t
②	MS_SHELL	COPPER ALLOY	Ni 60u"MIN	1	0.2t
①	P1_HOUSING	HIGH TEMP PLASTIC	UL94V-0	1	BLACK

**Bestcreate Technology Limited**

TOLERANCES UNLESS OTHERWISE SPECIFIED:

.X	± 0.30	X.*	± 5*
.XX	± 0.20	.X.*	± 3*
.XXX	± 0.10	.XX.*	± 1*

DESIGN: I.L DATE: 2017.3.1

CHECKED: C.W DATE: 2017.3.1

APPROVED: C.W DATE: 2017.3.1

TITLE: 3.5MM PHONE JACK CONNECTOR DIP TYPE 7P

MATERILA: PART NO: PJ350-07-A002 SIZE: A4

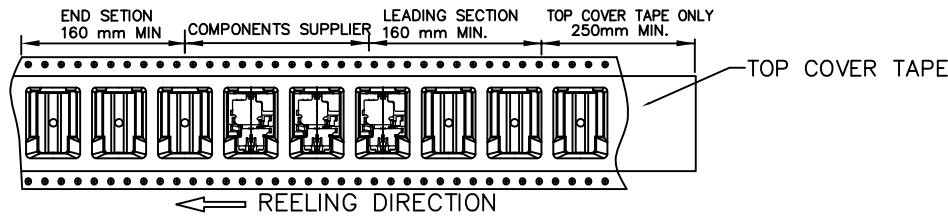
FINSH: DWG NO: PJ350-07-A002

Website: www.bsc-elec.com  
Email: bestcreate@bsc-elec.com

REV: A UNIT mm SCALE 1=1 QUALITY SYMBOLS

RoHS Compliant

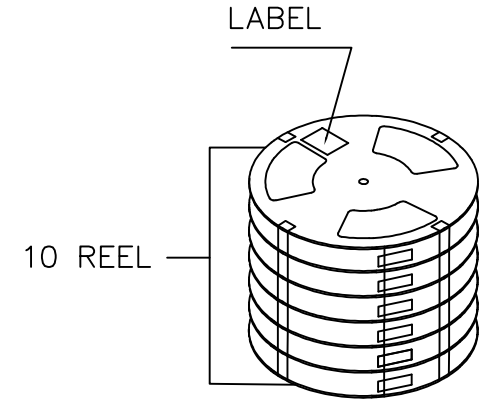
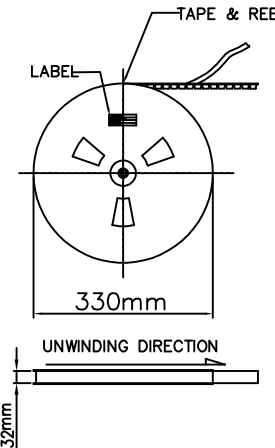
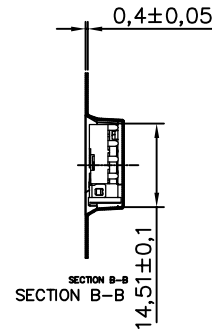
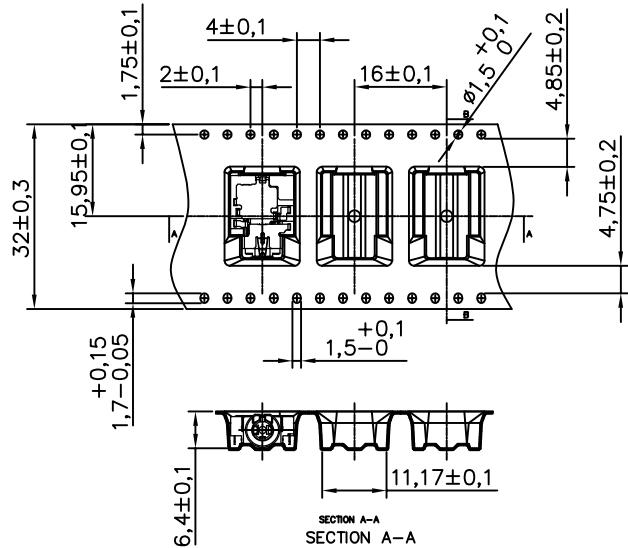
REVISIONS			
REV.	DESCRIPTION	DATE	DESIGN



PULL OUT DIRECTION  $F$  PEELING SPEED 300MM/MIN

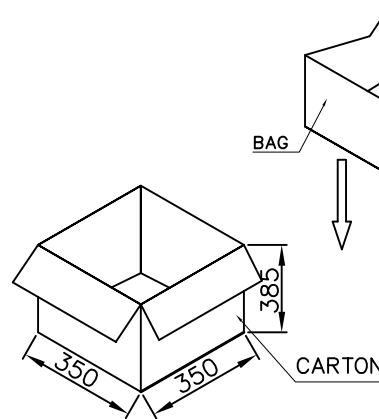
COVER TYPE PEELING FORCE

A	165~180'
F	30~125g



NOTES:

1. 10 SPROCKET HOLE PITCH CUMULATIVE TOLERANCE  $\pm 0.20$ .
2. CARRIER CAMBER IS WITHIN 1 mm IN 250 mm.
3. MATERIAL: BLACK POLYSTYRENE
4. ALL DIMENSIONS MEET EIA-481-D REQUIREMENTS.
5. THICKNESS :  $0.40 \pm 0.05$ mm.
6. COMPONENT LOAD PER 13" REEL 600 PCS
7. 10 REEL 6000 PCS/CARTON
8. CARTON DIMENSIONS: 350\*350\*385mm



**Bestcreate Technology Limited**

TOLERANCES UNLESS OTHERWISE SPECIFIED:

.X	$\pm 0.30$	X.'	$\pm 5'$
.XX	$\pm 0.20$	.X''	$\pm 3'$
.XXX	$\pm 0.10$	.XX''	$\pm 1'$

Website: [www.bsc-elec.com](http://www.bsc-elec.com)  
Email: [bestcreate@bsc-elec.com](mailto:bestcreate@bsc-elec.com)

DESIGN: I. L. DATE: 2017. 3. 1  
CHECKED: C. W. DATE: 2017. 3. 1  
APPROVED: C. W. DATE: 2017. 3. 1

TITLE: 3. 5MM PHONE JACK CONNECTOR DIP TYPE 7P  
MATERILA: PART NO: PJ350-07-A002 SIZE: A4  
FINSH: DWG NO: PJ350-07-A002

REV: A UNIT mm SCALE 1=1 QUALITY SYMBOLS