

RoHS Compliant

| REVISIONS | | | |
|-----------|-------------|------|--------|
| REV. | DESCRIPTION | DATE | DESIGN |
| | | | |

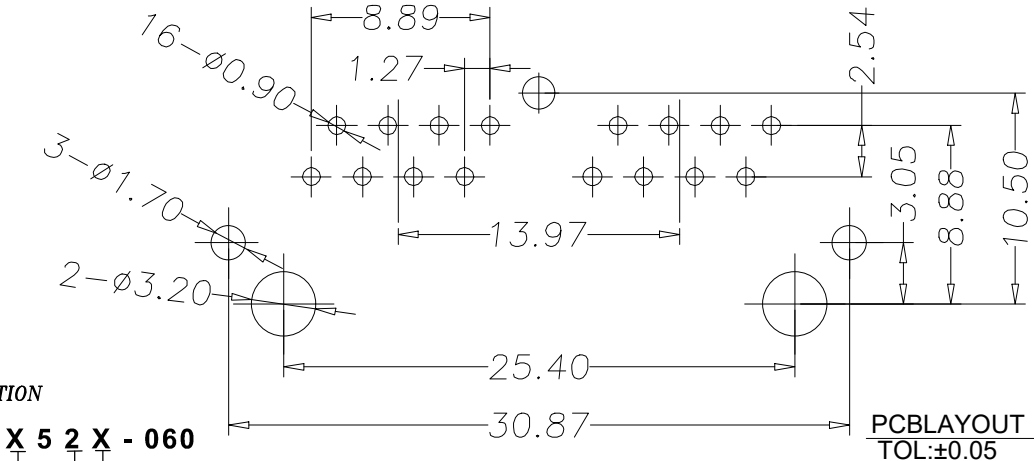
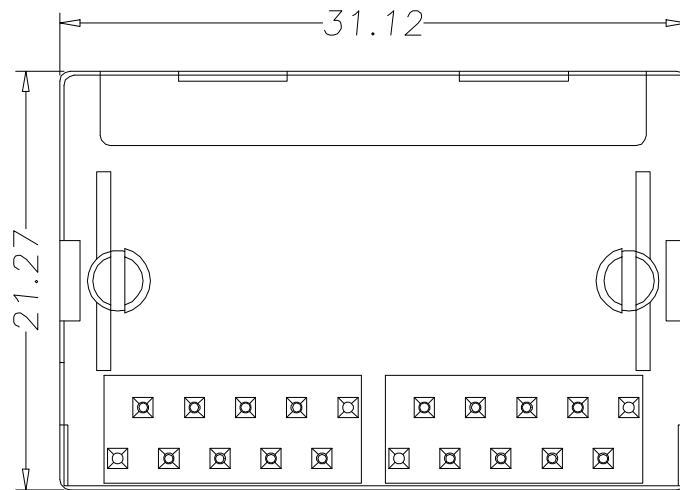
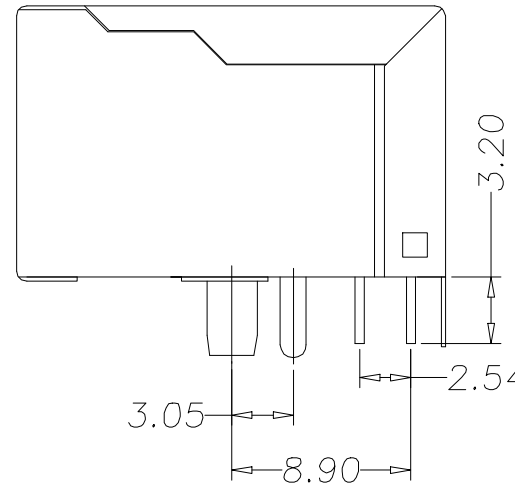
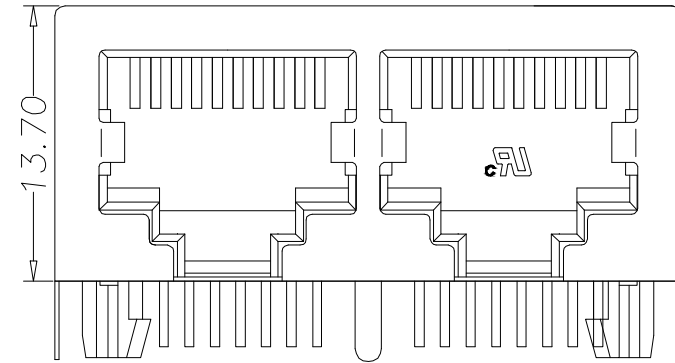
NOTES

MATERIAL
 1. HOUSING MATERIAL : PBT BLACK UL94V-0.
 2. CONTACT MATERIAL : PHOSPHOR BRONZE Ø0.46mm.
 3. PLATING : GOLD FLASH PLATING OVER NICKEL.
 4. SHIELD : 0.20mm THICKNESS COPPER ALLOY WITH NICKEL PLATED.

ELECTRICAL
 1. VOLTAGE RATING : 125 VAC RMS.
 2. CURRENT RATING : 1.5 AMP.
 3. CONTACT RESISTANCE : 40 MILLIOHMS MAX.
 4. INSULATION RESISTANCE : 500 MEGOHMS MIN @ 100V DC .
 5. DIELECTRIC DIELECTRIC RESISTANCE : 500V DC RMS 50Hz. 1MIN.

MECHANICAL
 1. DURRABILITY : 750 CYCLES MIN.
 2. MATING/UNMATING FORC: 2.24 KG.F MAX.

ENVIRONMENTAL :
 1. OPERATION : -40°C~+85°C.
 2. STORAGE : -40°C~+85°C.



PART NO. INFORMATION

RJ01- X 5 2 X - 060

CONTACT PLATED

1: G/F 2: AU 3U"
 3: AU 6U"

PACKAGE
 R: TAPE REEL
 T: TRAY

HOUSING:
 1:LCP BLACK
 2.PBT BLACK
 3.PA46 BLACK
 4.PA9T BLACK

Bestcreate Technology Limited

TOLERANCES UNLESS OTHERWISE SPECIFIED:

| | | | |
|------|--------|------|------|
| .X | ± 0.35 | X.* | ± 3" |
| .XX | ± 0.25 | .X* | ± 2" |
| .XXX | ± 0.15 | .XX* | ± 1" |

Website: www.bsc-elec.com
 Email: bestcreate@bsc-elec.com

DESIGN: DATE: 2017. 3. 1

I. L. 2017. 3. 1

CHECKED: DATE: 2017. 3. 1

C. W. 2017. 3. 1

APPROVED: DATE: 2017. 3. 1

C. W. 2017. 3. 1

TITLE:
 5921 1x2 RJ45 8P8C FEMALE CONNECTOR, B3.05 DIP

MATERILA: PART NO: RJ01-X52X-060 SIZE: A4

FINSH: DWG NO: RJ01-X52X-060

REV: A UNIT mm SCALE 1=1 QUALITY SYMBOLS