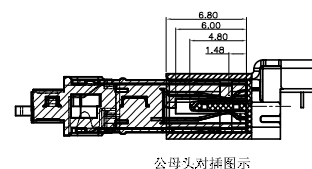
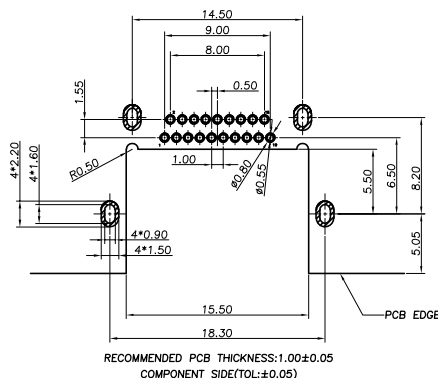
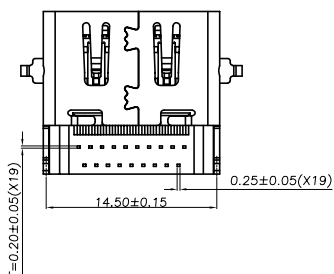
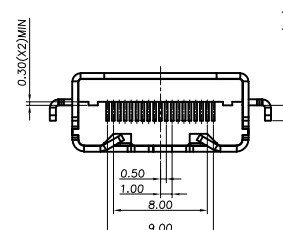
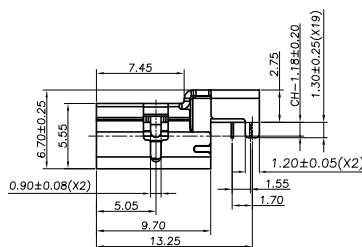
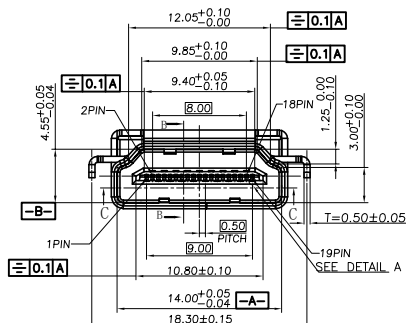
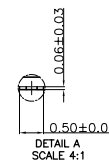
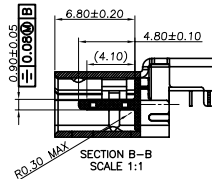
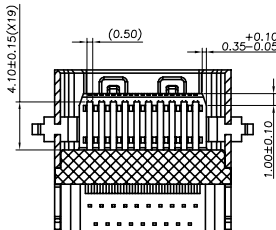
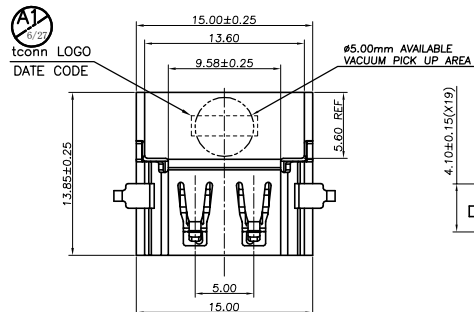


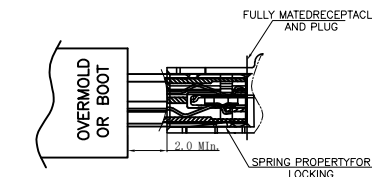
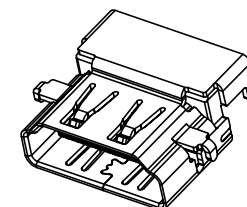
RoHS Compliant

REVISIONS

REV.	DESCRIPTION	DATE	DESIGN



公母头对接图示



PART NO. INFORMATION

HD01-A F X X 5 R - 025

- PORT TYPE  
A: TYPE A
- GENDER  
F: FEMALE  
M: MALE
- PACKAGE  
R: TAPE REEL
- HOUSING COLOR  
2: WHITE  
5: BLACK  
9: NATURE
- CONTACT PLATED  
1: GOLD FLASH  
2: GOLD 3U"  
3: GOLD 5U"  
4: GOLD 10U"  
5: GOLD 15U"  
6: GOLD 30U"
- HOUSING MATERIAL  
A: LCP B: PBT  
C: PA9T D: PA6T  
E: PA46 F: PA66

PIN	SIGNAL ASSIGNMENT	PIN	SIGNAL ASSIGNMENT	PIN	SIGNAL ASSIGNMENT
1	TMS DATA2	8	TMS DATA2 SHIELD	15	SDA
2	TMS DATA2 SHIELD	9	TMS DATA-	16	SDA
3	TMS DATA-	10	TMS CLOCK-	17	DDC/CEC GROUND
4	TMS DATA+	11	TMS CLOCK+ SHIELD	18	+5V POWER
5	TMS DATA+ SHIELD	12	TMS CLOCK-	19	HOT PLUG DETECT
6	TMS DATA1	13	CEC		
7	TMS DATA+	14	URU/R/REC+		

C	SHELL	1	MATAL/SEE TABLE A
B	TERMINAL	19	COPPER YELLOW/SEE TABLE A
A	HOUSING	1	HTERNOPLASTIC UL94V-0 BLACK
NO	PART NAME	QTY	MATERIAL PLATING & COLOR

TOLERANCES UNLESS OTHERWISE SPECIFIED:

X.	± 0.50	X.*	± 3*
.X	± 0.30	.X.*	± 2*
.XX	± 0.20	.XX.*	± 1*

DESIGN: DATE: 2017.3.1

I. L. 2017.3.1

CHECKED: DATE: 2017.3.1

C. W. 2017.3.1

APPROVED: DATE: 2017.3.1

C. W. 2017.3.1

TITLE: HDMI A TYPE 19PIN H=6.70 CH=-1.18MM, L=13.85MM REC, RVS, DIP TYPE B TYPE

MATERILA: PART NO: HD01-AFXX5R-025 SIZE: A4

FINSH: DWG NO: HD01-AFXX5R-025

Bestcreate Technology Limited

Tel/Whatsapp: 0086-13712299763  
Skype: belle.wu3340

REV: A	UNIT mm	SCALE 1=1	QUALITY SYMBOLS
--------	---------	-----------	-----------------